



 **AMERHART**  
FABRICATION  
CLASSIC CUSTOM



### **GREEN BAY**

2455 Century Road  
Green Bay, WI 54303  
*p* 920.494.4744 • *t-f* 800.236.2211  
*f* 920.494.9410

### **SUN PRAIRIE**

400 Marshview Drive  
Sun Prairie, WI 53590  
*p* 608.825.3322 • *t-f* 800.879.7123  
*f* 608.834.2243

### **WEST SALEM**

1131 Industrial Drive  
West Salem, WI 54669  
*p* 608.786.1251 • *t-f* 800.879.8123  
*f* 608.786.4044

### **PEKIN**

1810 Riverway Drive  
Pekin, IL 61554  
*p* 309.347.1118 • *t-f* 800.879.9123  
*f* 309.347.1133

### **TRAVERSE CITY**

5763 South Bates Road  
Williamsburg, MI 49690  
*p* 231.267.5190 • *t-f* 877.700.5190  
*f* 231.267.5329

### **MILWAUKEE**

6800 North Teutonia  
Milwaukee, WI 53209  
*p* 414.540.7550 • *t-f* 800.642.1733  
*f* 414.351.1668

### **ST. LOUIS**

5060 Manchester Ave  
St. Louis, MO 63110  
*p* 309.347.1118 • *t-f* 800.879.9123  
*f* 309.347.1133

### **GRAND RAPIDS**

1655 Steele Avenue  
SW Grand Rapids, MI 49507  
*p* 231.267.5190 • *t-f* 877.700.5190  
*f* 231.267.5329



Amerhart Fabrication creates decorative exteriors for residential and commercial buildings.

**CLASSIC** series: Standard dimensions of postwraps & gable brackets.

**CUSTOM** series: Restoration and creation of complex & ornate designs.

# AMERHART F A B R I C A T I O N



Gable Brackets.....2  
Postwraps.....4  
Trim for Postwraps.....8



Restoration ..... 12  
Curved Decking & Railing ... 13  
Custom Capabilities ..... 16



## Gable Brackets

4', 6', 8' and 10' widths available.

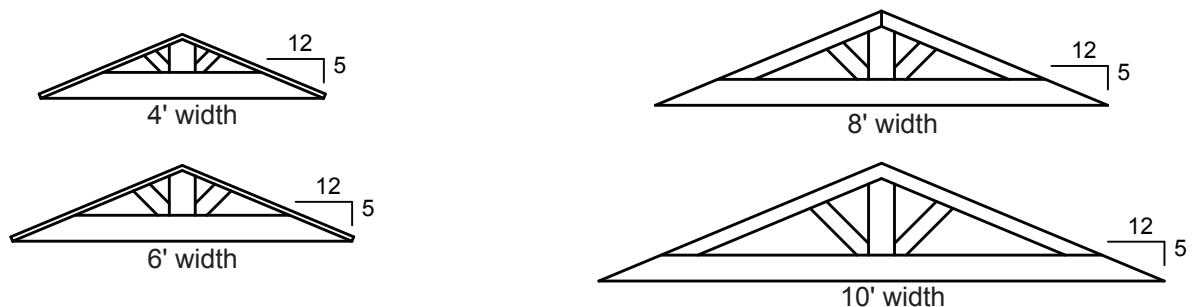


Custom styles and sizes also available.

Our PVC gable brackets offer low maintenance construction with a variety of widths and pitches available. *Please note: Brackets 8' and wider ship with the bottom horizontal loose to accept a structural member for additional support and include our "easy align" joinery.*

**COLORS: WHITE, SAND, CLAY**

Item #	Size	Description	Color	Quantity
GB4512	4' Wide, 5/12 Pitch	<b>4' Wide Brackets</b> <ul style="list-style-type: none"> <li>• 3-1/2" x 3-1/2" Bottom horizontal</li> <li>• 3-1/2" x 3" Vertical</li> <li>• 2-1/2" x 1" 45's</li> <li>• 5/4 x 4 Gable cap for mounting</li> </ul>		
GB4612	4' Wide, 6/12 Pitch			
GB4712	4' Wide, 7/12 Pitch			
GB4812	4' Wide, 8/12 Pitch			
GB4912	4' Wide, 9/12 Pitch			
GB41012	4' Wide, 10/12 Pitch			
GB41112	4' Wide, 11/12 Pitch			
GB41212	4' Wide, 12/12 Pitch			
GB6512	6' Wide, 5/12 Pitch	<b>6' Wide Brackets</b> <ul style="list-style-type: none"> <li>• 5-1/2" x 3-1/2" Bottom horizontal</li> <li>• 5-1/2" x 3" Vertical</li> <li>• 3-1/2" x 1" 45's</li> <li>• 5/4 x 4 Gable cap for mounting</li> </ul>		
GB6612	6' Wide, 6/12 Pitch			
GB6712	6' Wide, 7/12 Pitch			
GB6812	6' Wide, 8/12 Pitch			
GB6912	6' Wide, 9/12 Pitch			
GB61012	6' Wide, 10/12 Pitch			
GB61112	6' Wide, 11/12 Pitch			
GB61212	6' Wide, 12/12 Pitch			
GB8512	8' Wide, 5/12 Pitch	<b>8' Wide Brackets</b> <ul style="list-style-type: none"> <li>• 5-1/2" x 3-1/2" Bottom horizontal</li> <li>• 5-1/2" x 2-3/4" Vertical</li> <li>• 3-1/2" x 1" 45's</li> <li>• 3-1/2" x 3" Gable "C" cap to accept blocks mounting</li> <li>• Bottom panel loose to accept structural member</li> </ul>		
GB8612	8' Wide, 6/12 Pitch			
GB8712	8' Wide, 7/12 Pitch			
GB8812	8' Wide, 8/12 Pitch			
GB8912	8' Wide, 9/12 Pitch			
GB81012	8' Wide, 10/12 Pitch			
GB81112	8' Wide, 11/12 Pitch			
GB81212	8' Wide, 12/12 Pitch			
GB10512	10' Wide, 5/12 Pitch	<b>10' Wide Brackets</b> <ul style="list-style-type: none"> <li>• 5-1/2" x 3-1/2" Bottom horizontal</li> <li>• 5-1/2" x 2-3/4" Vertical</li> <li>• 3-1/2" x 1" 45's</li> <li>• 3-1/2" x 3" Gable "C" cap to accept blocks mounting</li> <li>• Bottom panel loose to accept structural member</li> </ul>		
GB10612	10' Wide, 6/12 Pitch			
GB10712	10' Wide, 7/12 Pitch			
GB10812	10' Wide, 8/12 Pitch			
GB10912	10' Wide, 9/12 Pitch			
GB101012	10' Wide, 10/12 Pitch			
GB101112	10' Wide, 11/12 Pitch			
GB101212	10' Wide, 12/12 Pitch			



## Postwraps (Non-structural)

Flat Panel



Custom styles and sizes also available.

Our standard non-structural PVC flat postwrap is made with 3/4" thick material and is available in smooth or woodgrain. Square cap/base trim is standard and included with each postwrap.

**Step 1: Choose Postwrap**

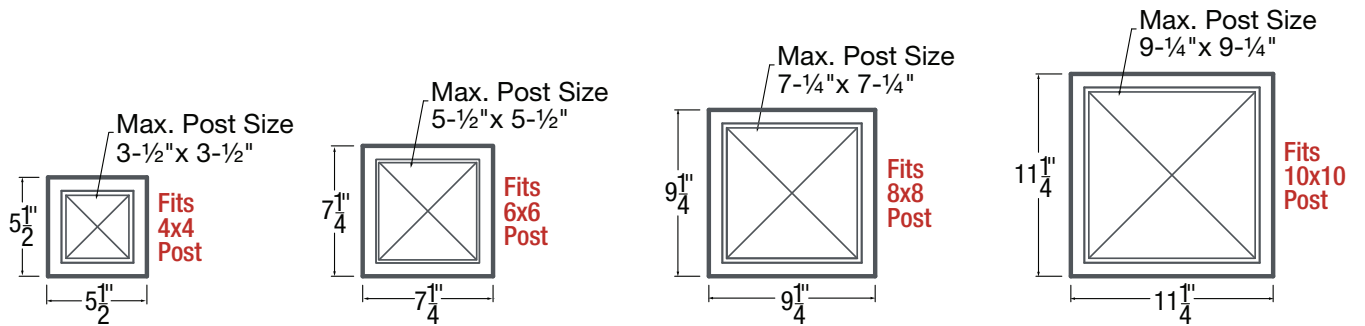
**COLORS: WHITE, SAND, CLAY**

**Flat Panel Postwraps - Smooth**

Item #	Description	Color	Quantity
PWF6606	5-1/2" x 5 1/2" x 6'		
PWF6608	5-1/2" x 5-1/2" x 8'		
PWF6609	5-1/2" x 5-1/2" x 9'		
PWF6610	5-1/2" x 5-1/2" x 10'		
PWF6612	5-1/2" x 5-1/2" x 12'		
PWF8806	7-1/4" x 7-1/4" x 6'		
PWF8808	7-1/4" x 7-1/4" x 8'		
PWF8809	7-1/4" x 7-1/4" x 9'		
PWF8810	7-1/4" x 7-1/4" x 10'		
PWF8812	7-1/4" x 7-1/4" x 12'		
PWF101006	9-1/4" x 9-1/4" x 6'		
PWF101008	9-1/4" x 9-1/4" x 8'		
PWF101009	9-1/4" x 9-1/4" x 9'		
PWF101010	9-1/4" x 9-1/4" x 10'		
PWF101012	9-1/4" x 9-1/4" x 12'		
PWF121206	11-1/4" x 11-1/4" x 6'		
PWF121208	11-1/4" x 11-1/4" x 8'		
PWF121209	11-1/4" x 11-1/4" x 9'		
PWF121210	11-1/4" x 11-1/4" x 10'		
PWF121212	11-1/4" x 11-1/4" x 12'		

**Flat Panel Postwraps - Woodgrain**

Item #	Description	Color	Quantity
PWF6606W	5-1/2" x 5-1/2" x 6'		
PWF6608W	5-1/2" x 5-1/2" x 8'		
PWF6609W	5-1/2" x 5-1/2" x 9'		
PWF6610W	5-1/2" x 5-1/2" x 10'		
PWF6612W	5-1/2" x 5-1/2" x 12'		
PWF8806W	7-1/4" x 7-1/4" x 6'		
PWF8808W	7-1/4" x 7-1/4" x 8'		
PWF8809W	7-1/4" x 7-1/4" x 9'		
PWF8810W	7-1/4" x 7-1/4" x 10'		
PWF8812W	7-1/4" x 7-1/4" x 12'		
PWF101006W	9-1/4" x 9-1/4" x 6'		
PWF101008W	9-1/4" x 9-1/4" x 8'		
PWF101009W	9-1/4" x 9-1/4" x 9'		
PWF101010W	9-1/4" x 9-1/4" x 10'		
PWF101012W	9-1/4" x 9-1/4" x 12'		
PWF121206W	11-1/4" x 11-1/4" x 6'		
PWF121208W	11-1/4" x 11-1/4" x 8'		
PWF121209W	11-1/4" x 11-1/4" x 9'		
PWF121210W	11-1/4" x 11-1/4" x 10'		
PWF121212W	11-1/4" x 11-1/4" x 12'		

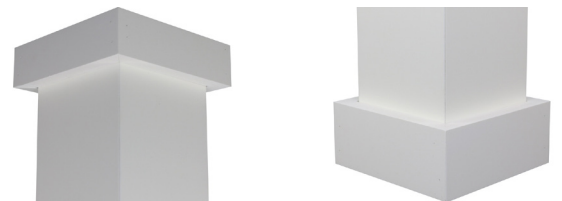


**Step 2: Choose Trim**

**Cap and Base Trim for Postwraps**

Item #	Description	Color	Smooth Quantity	Woodgrain Quantity
SQ	Square Cap/Base 3/4" x 2" Cap 3/4" x 3" Base			
AC	Artisan Cap 1-1/8" Tall, 11/16" Projection	White		
AB	Artisan Base 1-1/8" Tall, 11/16" Projection	White		
CC	Crown Cap 3" Tall, 2-1/4" Projection	White		
CB	Crown Base 3" Tall, 2-1/4" Projection	White		
RC	Rake Cap 2" Tall, 1-1/16" Projection	White		
RB	Rake Base 2" Tall, 1-1/16" Projection	White		

See pages 8 and 9 for detailed base and cap options.



Standard square cap/base available in White, Sand, Clay.

## Postwraps (Non-structural)

Tapered Panel and Tapered Recessed Panel



Custom styles and sizes also available.



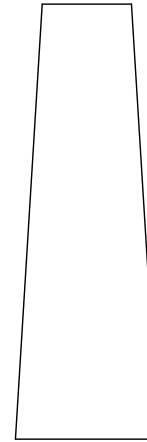
Our standard non-structural PVC tapered postwrap is made with 3/4" thick material and available in smooth. Square cap/base trim is standard and included with each postwrap.

**COLORS: WHITE, SAND, CLAY**

**Step 1: Choose Postwrap**

**Tapered Flat Panel Postwraps - Smooth**

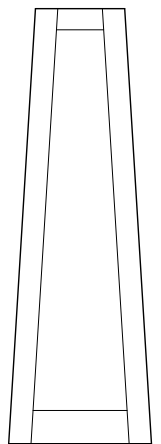
Item #	Description	Color	Quantity
TPW1285	11-1/4" Base, 8" Top, 60" Height		
TPW1286	11-1/4" Base, 8" Top, 72" Height		
TPW1288	12" Base, 8" Top 96" Height		
TPW1289	12" Base, 8" Top 108" Height		
TPW12810	12" Base, 8" Top 120" Height		
TPW16105	16" Base, 10" Top, 60" Height		
TPW16106	16" Base, 10" Top, 72" Height		
TPW16107	16" Base, 10" Top, 84" Height		
TPW16108	16" Base, 10" Top, 96" Height		



Flat Panel Taper

**Tapered Recessed Panel Postwraps - Smooth**

Item #	Description	Color	Quantity
RPTPW1285	11-1/4" Base, 8" Top, 60" Height		
RPTPW1286	11-1/4" Base, 8" Top, 72" Height		
RPTPW16105	16" Base, 10" Top, 60" Height		
RPTPW16106	16" Base, 10" Top, 72" Height		
RPTPW16107	16" Base, 10" Top, 84" Height		
RPTPW16108	16" Base, 10" Top, 96" Height		



Recessed Panel Taper

**Step 2: Choose Trim**

**Cap and Base Trim for Postwraps**

Item #	Description	Color	Quantity
SQ	Square Cap/Base 3/4" x 2" Cap 3/4" x 3" Base		
AC	Artisan Cap 1-1/8" Tall, 11/16" Projection	White	
AB	Artisan Base 1-1/8" Tall, 11/16" Projection	White	
CC	Crown Cap 3" Tall, 2-1/4" Projection	White	
CB	Crown Base 3" Tall, 2-1/4" Projection	White	
RC	Rake Cap 2" Tall, 1-1/16" Projection	White	
RB	Rake Base 2" Tall, 1-1/16" Projection	White	



Standard square cap/base available in White, Sand, Clay.

See pages 8 and 9 for detailed base and cap options.

## Cap & Base Trim for Postwraps

Artisan, Crown, Rake and Square available



Artisan, Crown and Rake are available in White. Square is available in White, Sand, or Clay.

*Please note: When choosing smooth or woodgrain trim, tapered panel postwraps are only available in smooth.*



**Artisan**



**Rake**



**Crown**



**Square**

Standard and included with each postwrap.



## Postwrap Installation



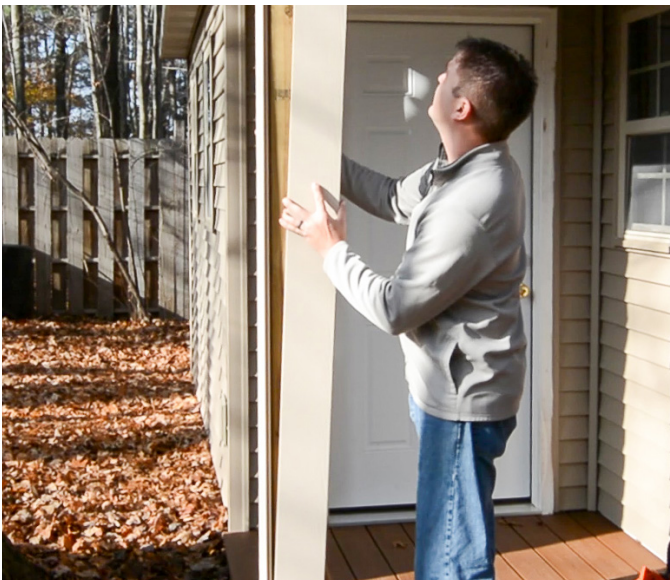
### Remove side marked "LOOSE".

One side is not assembled to accept the structural member.



### Place postwrap over structural member.

Our postwraps are non-structural and do require additional support.



### Apply adhesive and attach loose side.

We recommend PVC Adhesive, Extreme Glue.  
Item # **EXT-WHOT-5OZ**



### Lightly tap with a rubber mallet.

Tap gently until seam disappears.

**Add base and cap to finish.**

## Form + Function

Amerhart Fabrication uses only quality Free Foam Cellular PVC (Polyvinyl Chloride) products to create innovative decorative exteriors.



Real Wood Appearance



Excellent UV protection built-in



Rot and mold resistant (virtually waterproof)



Insect resistant



Ultra-Low Maintenance (defies weathering and easy to clean)



## Restoration

We make worn out designs look new again.



**BEFORE**



**AFTER**



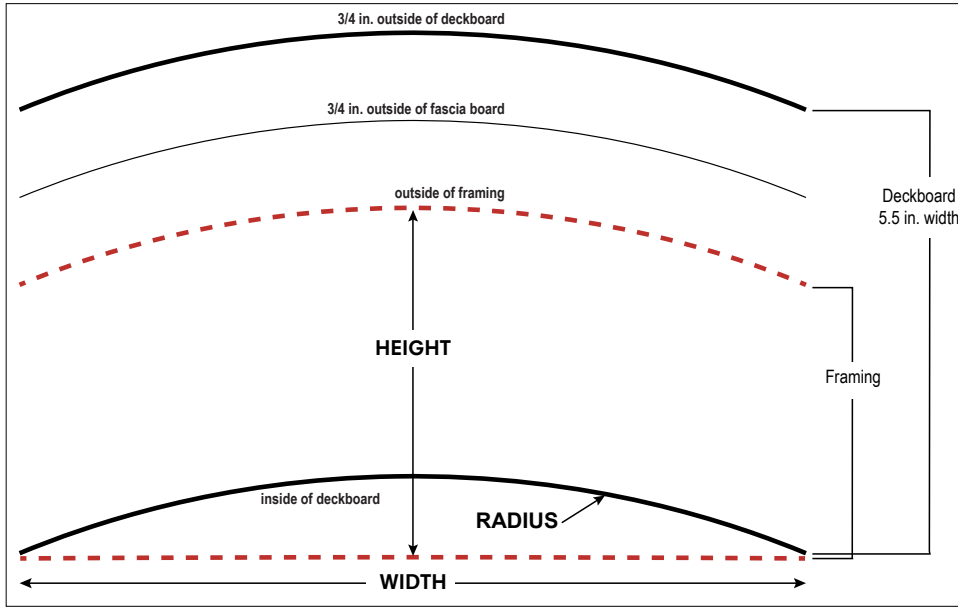
# Curved Decking and Railing

We can bend composite to give a deck curve appeal.

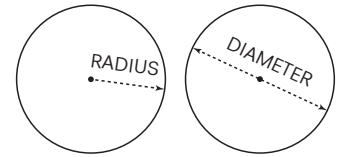


## Curved Decking Order Form

We can curve Trex® 12' composite deck boards (square edge) and 12' fascia boards. *Please note: The smallest fabricated curve available is an inside radius of 8' (16' diameter circle).*



*Ask for our Curved Railing Guide & Calculator to help determine the Radius and to ensure your project is within our bending parameters.*



Unit Width (12' maximum)

Unit Height

Radius (if available)

Number of Pieces

Color (Choose from below)

### TRANSCEND COLORS

FIRE PIT (FP)  
GRAVEL PATH (GP)  
ROPE SWING (RS)  
TREE HOUSE (TH)  
VINTAGE LANTERN (VL)

### SELECT COLORS

MADEIRA (MB)  
PEBBLE GRAY (PG)  
SADDLE (SDS)  
WINCHESTER GRAY (WG)  
WOODLAND BROWN (WB)

### TRANSCEND TROPICAL COLORS

LAVA ROCK (LR)  
SPICED RUM (SR)  
TIKI TORCH (TT)  
ISLAND MIST (IM)

### ENHANCE COLORS

BEACH DUNE (BD)  
CLAM SHELL (CS)  
SADDLE (SDE)

CUSTOMER  NAME

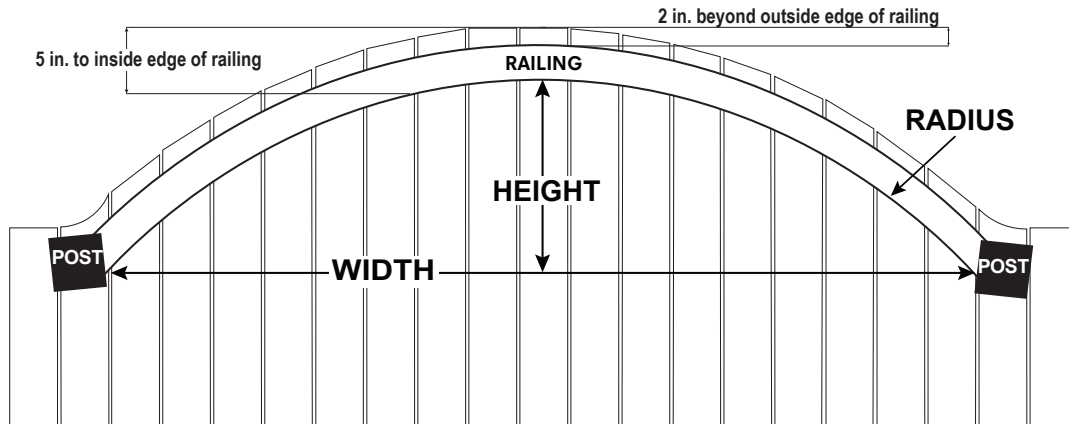
PO#  DATE

*All requested dimensions are subject to approval*

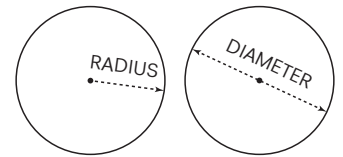


# Curved Railing Order Form

We can curve Trex® 6' & 8' rail kits. Please note: The smallest fabricated curve available is an inside radius of 4' 6".



*Ask for our Curved Railing Guide & Calculator to help determine the Radius and to ensure your project is within our bending parameters.*


 Unit Width

 Unit Height

 Radius (if available)

 Number of Rail Sections

### Top Rail

- Crown     Universal

Color (Choose from below)

### Bottom Rail

- Universal

Color (Choose from below)

### Baluster

- Square     Colonial (White only)

Color (Choose from below)

- Round Aluminum     Square Aluminum

Color (Choose from below)

- 30.375" Height     36.375" Height

### COLORS

- |                  |                      |
|------------------|----------------------|
| CHARCOAL BLACK   | ROPE SWING (RS)      |
| CLASSIC WHITE    | TREE HOUSE (TH)      |
| FIRE PIT (FP)    | VINTAGE LANTERN (VL) |
| GRAVEL PATH (GP) |                      |

### ALUMINUM BALUSTERS COLORS

- BLACK
- BRONZE
- WHITE

CUSTOMER

NAME

PO#

DATE

*All requested dimensions are subject to approval*

# CUSTOM

## Custom Gable Brackets, Custom Postwraps, Window & Door Surrounds, Fascia & Soffits

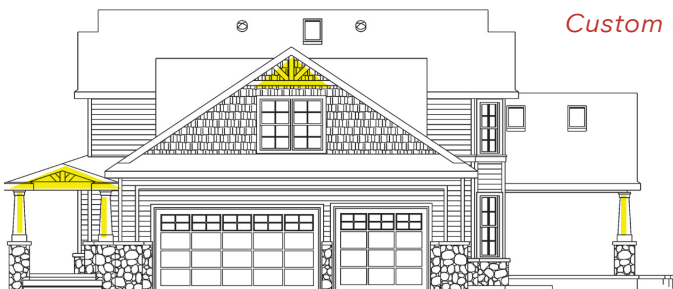
Your exterior vision...



Our fabrication experts can create (or re-create) just about any building component out of PVC. They can also quote from an existing plan to save time and labor costs.

Send quote requests to [fabrication@amerhart.com](mailto:fabrication@amerhart.com).

### Custom Quote Capabilities



# Exteriors for Commercial Buildings and Residential Buildings

We can make any exterior stand out.





 **AMERHART**  
FABRICATION  
CLASSIC CUSTOM