



UNISOFT



G* GRASS®

UNISOFT

Universal Soft-close adapter for doors.



unisoft



UniSoft is a Soft-close adapter for doors that mounts independently from the hinge. Mount the UniSoft in the upper corner of your cabinets and instantly your cabinet doors have the smooth, quiet Soft-closing action that is so popular in today's market. The UniSoft damper is concealed in a brushed nickel casing and can be

adjusted by the turn of a screw to the desired closing speed.

UniSoft can be installed during the production process, at the time of cabinet installation, or after the cabinetry has been installed. For the end user, this is a perfect retrofit solution to add a soft-close feature to your fine cabinetry.

Grass UniSoft

Soft-close for doors



Why is UniSoft the ideal universal Soft-close adapter?

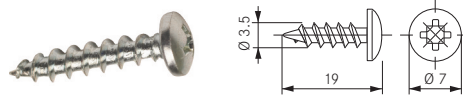
- Works for face frame cabinets on all door overlays
- Works for frameless cabinets on full overlay doors
- Blends in well with hinge finish
- Is non-handed with a low profile design
- Is manually adjustable to desired closing speed
- Is easy to mount by locating in the corner
- Has scratch protector and front bumper with cushion for a quiet close

UniSoft Adapter



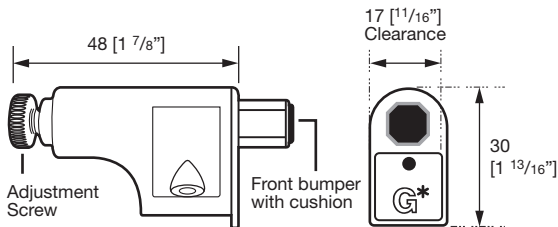
Description	Item No.	Packing Unit (Box quantity)
UniSoft, Universal Soft-close	18971-37	1 Polybag (125 Polybags)
	18971-40	25/bag (125/box)
	18971-14	250 Bulk

All bags include #6 x 3/4 Pan head screw.

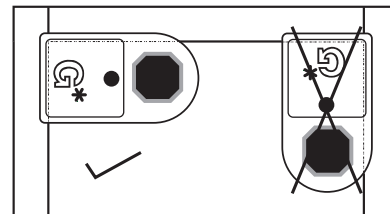


Wood screw, nickel-plated

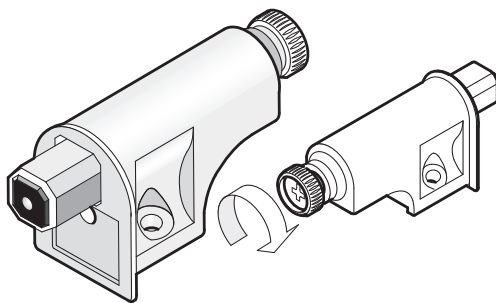
Description	Item No.
#6 x 3/4" PH	81002



Mounting

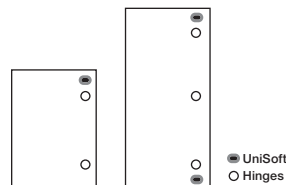


Important: Use a 65° angle for best mounting results. Pilot drill 2.3 mm [Ø3/32"] and 1/4" deep for a #6 x 3/4" Pan head screw recommended. Mount in upper corner on hinge side.



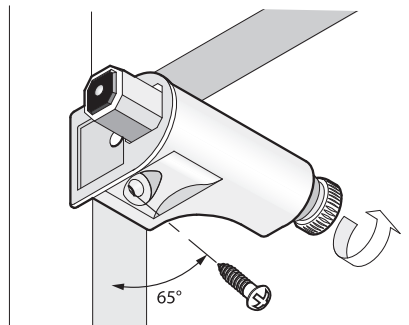
Adjustment

Turn adjustment screw to move damper in and out. Adjust in for heavier doors or out for light doors. Use Phillips or Pozidrive screwdriver or adjust manually.



Number per door

Use one UniSoft for most applications. For heavier doors use two or more.
Trial mount recommended.



WARNING - CHOKING HAZARD - Small parts. Not a toy. Keep out of reach of children. Patent Pending

Dimensions in millimeters, approximate fractional inch equivalents as noted.



Grass America Inc.
1202 NC Highway 66 South
Kernersville, NC 27284

Phone 1-800-334-3512
Fax 1-800-525-8406

Internet: www.grassusa.com
E-Mail: info@grassusa.com

GRASS Canada Inc.
10 Newgale Gate, Unit 7 Toronto,
ON M1X 1C5

Phone: 1-800-461-4975
Fax: 1-416-335-5907

Internet: www.grasscanada.com
E-Mail: info@grasscanada.com

www.grassusa.com