

06

 **GRASS®**

TIPMATIC

The mechanical opening system for furniture without handles.
A light touch is enough for doors to open as if by magic.



Tipmatic Plus

A quick tap – and handle-free furniture doors open virtually automatically.



This exclusive solution for handle-free furniture doors comprises a combination of hold-closed unit, ejector element and hinges without closing mechanism, and will turn any cabinet construction into something special.

A short tap is enough and the cabinet door opens to a wide angle. Once closed, the door remains shut and hides its secret until the next tap.

No handles interrupt the furniture's linear, modern design which facilitates the combination of calmness and harmony with aesthetics. What else can a furniture designer wish for?

Grass Tipmatic Plus is designed for hinges without closing mechanism. It does not require any special hinges with opening spring. Hinges of the Nexis Impresso and Nexis Click-on series can be equipped with Tipmatic Plus – even retrospectively – with little installation effort. Mirror doors in combination with Tipmatic Plus Mirro are a particular highlight.

The advantages are clear.

Grass Tipmatic Plus impresses with its simplicity and distinguishes itself with the following product features:

- Gently tapping the front causes the doors to open to a wide angle.
- Magnets keep the doors closed precisely and reliably.
- No handle is required to open the doors – handle-free drawer fronts provide designers and architects with a lot of creative freedom when planning their designs.
- Compatible with all hinges of the Nexis Impresso and Nexis Click-on series without closing mechanism.
- Can be added retrospectively due to its easy installation
- Suitable for existing systems such as Soft-close or illuxo

The components of Tipmatic Plus:

Firstly, Tipmatic Plus consists of the ejector element: this is made up of the adapter (Impresso, Click-on, 170° or Mirro) and the ejector, and can be installed on the hinge without any tools. Secondly, Tipmatic Plus consists of the hold-closed unit: this in turn is made up of the magnetic pin and the counterplate. While the magnetic pin is installed in the interior of the cabinet using an adapter plate, the counterplate is glued or screwed onto the door. Thus using Tipmatic Plus results in a holistic system which makes opening handle-free furniture an experience.

Comfortably open handle-free furniture.



The elaborate interaction of magnet, Tipmatic pin and hinges without closing mechanism facilitates the comfortable design solution for hinged doors.

Simply and gently tapping the drawer front makes the door open virtually automatically. The doors swing open to a convenient angle, making it comfortable and easy to grip the handle-free panel to open it further. When closing, the doors are held shut precisely and reliably via the magnet's large catch range. A handle is no longer required for opening and closing the door. Handle-free drawer fronts provide designers and architects with a lot of creative freedom when planning the furniture designs.

Grass Tipmatic Plus is designed for hinges without closing mechanism. It does not require any special hinges with opening spring.

Tipmatic can be used for wooden, aluminium and glass doors and is suitable for the complete hinge systems Nexis Impresso, Nexis Click-on and Snap-On 3000.

Unique product features for maximum customer benefit.

Grass Tipmatic supports the design for handle-free hinged doors with the following product features:

- Doors open by gently tapping the front.
- Magnets keep the doors closed precisely and reliably.
- No handle is required to open the doors – handle-free fronts provide designers and architects with a lot of creative freedom when planning their designs.
- Compatible with all hinges without closing mechanism.
- Large magnet catch range – reliable closing of the doors.
- Integrated, self-locking and toolless depth adjustment – adjusting the front gap from 2.5 to 5.5 mm.
- The Tipmatic pin can be drilled into the front of the cabinet or used with an adapter plate.

Tipmatic consists of two elements:




The pencil-shaped Tipmatic pin and the magnetic counterpart in the door. The Tipmatic pin can be mounted with the aid of adapter plates or drilled into the front of the cabinet. This makes the element virtually invisible. It disappears into the side of the cabinet – the simple design harmonises with the calm exterior effect of handle-free furniture.

Nexis Impresso
Nexis Click-on
Nexis Slide-on
Snap On 3000
Soft-close
Tipmatic
illuxo
Special hinges
Cabinet accessories
Assembly aids
Index

Tipmatic

Product overview.

Tipmatic Plus		Page
	<p>Tipmatic Plus Impresso</p> <ul style="list-style-type: none"> • For Nexis Impresso hinges without closing mechanism <p style="text-align: right;">III > tipmatic-plus</p>	6.6
	<p>Tipmatic Plus Click-on</p> <ul style="list-style-type: none"> • For Nexis Nexis Click-on hinges without closing mechanism <p style="text-align: right;">III > tipmatic-plus</p>	6.8
	<p>Tipmatic Plus 170°</p> <ul style="list-style-type: none"> • For Nexis Impresso und Click-on wide-angle hinges without closing mechanism <p style="text-align: right;">III > tipmatic-plus</p>	6.10
	<p>Tipmatic Plus Mirro</p> <ul style="list-style-type: none"> • For Nexis Click-on Mirro hinges without closing mechanism <p style="text-align: right;">III > tipmatic-plus</p>	6.12
Tipmatic		
	<p>Tipmatic for wooden doors and aluminium frame doors</p> <ul style="list-style-type: none"> • For Nexis and Snap On 3000 hinges without closing mechanism • Mounting on the front side of the cabinet or with an adapter plate <p style="text-align: right;">III > tipmatic</p>	6.14
	<p>Tipmatic for glass and mirror doors</p> <ul style="list-style-type: none"> • For Nexis and Snap On 3000 hinges without closing mechanism • Mounting on the front side of the cabinet or with an adapter plate <p style="text-align: right;">III > tipmatic</p>	6.16

Hinges without closing mechanism		Page
	Nexis Impresso hinges without closing mechanism	6.18
	Nexis Click-on hinges without closing mechanism	6.20
	Snap On 3000 hinges without closing mechanism	Chapter 4

Nexis Impresso
Nexis Click-on
Nexis Slide-on
Snap On 3000
Soft-close
Tipmatic
illuxo
Special hinges
Cabinet accessories
Assembly aids
Index

Tipmatic Plus Impresso

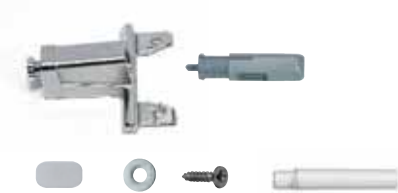
For Nexis Impresso hinges without closing mechanism.



- Gently tapping the front causes the doors to open to a convenient angle
- Compatible with all hinges of the Nexis Impresso series without closing mechanism, see pages 16 – 17
- Can also be retrofitted thanks to its simple assembly

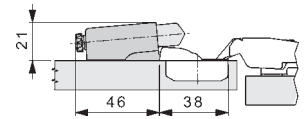
tipmatic-plus

Tipmatic Plus Impresso set



- 1 set consists of:
- 1 Tipmatic Plus Impresso adapter
 - 1 Tipmatic Plus ejector
 - 1 counterplate for gluing
 - 1 counterplate for screw fixing incl. screw
 - 1 magnetic pin

Item No.
924.275.55.0315
PU 100 sets



Tipmatic Plus Impresso adapter



Tipmatic Plus Impresso adapter for Nexis Impresso hinges

Item No.
924.275.55.0015
PU 100 pieces

Tipmatic Plus ejector



Tipmatic Plus ejector for Tipmatic Plus Impresso adapter

Item No.
924.075.00.0075
PU 100 pieces

Linear adapter plate



- Linear adapter plate for magnetic pin
- Design solution, also suitable for insets
 - Fixing with wood screws (3.5 x 13 mm)

Item No.
514.000.36.0439
PU 100 pieces

Frame adapter plate



- Frame adapter plate for magnetic pin
- Quick upgrade installation
 - Fixing with wood screws (3.5 x 13 mm)

Item No.
514.000.36.0539
PU 100 pieces

Magnetic pin and counterplates

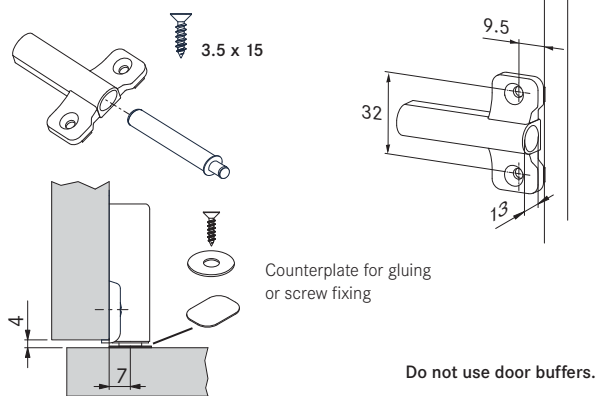


- 1 set consists of:
- 1 magnetic pin
 - 1 counterplate for gluing
 - 1 counterplate for screw fixing incl. screw

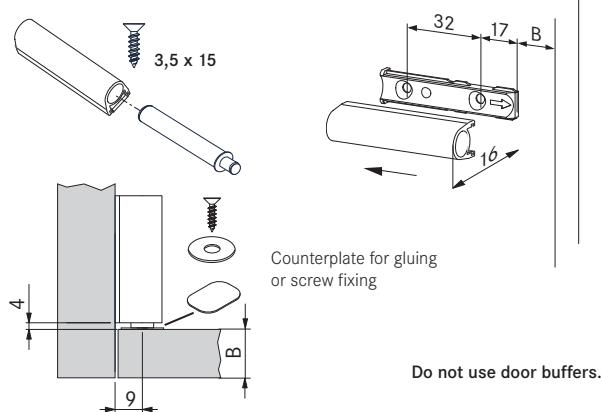
Item No.
646.000.29.0039
PU 100 sets

Adapter plate position

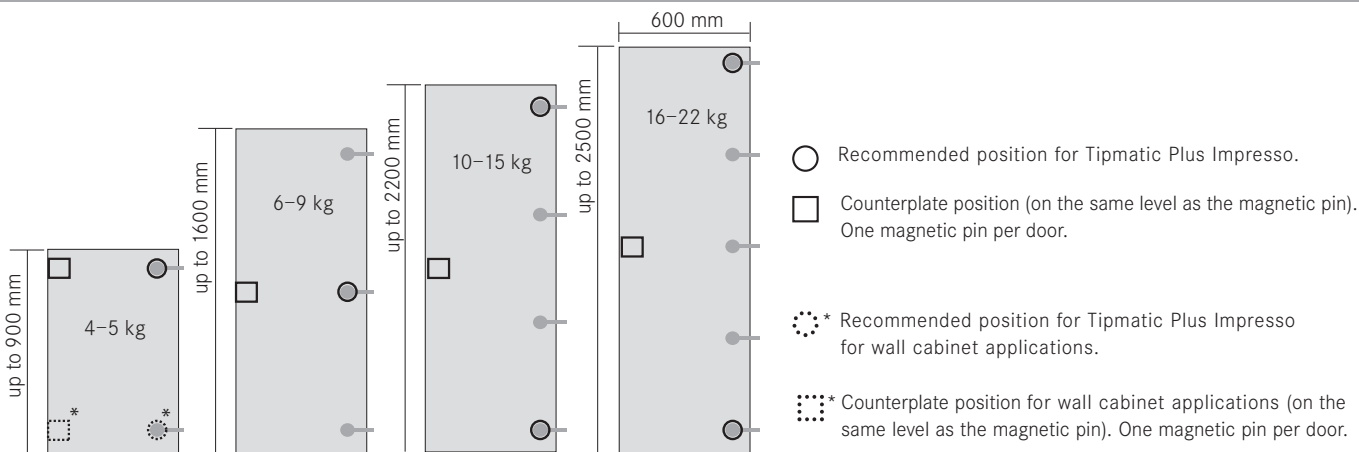
Frame adapter plate



Linear adapter plate



Empfohlene Position für Tiptmatic Plus Impresso



Important notes

Tiptmatic Plus Impresso is only suitable for hinges without holding spring.

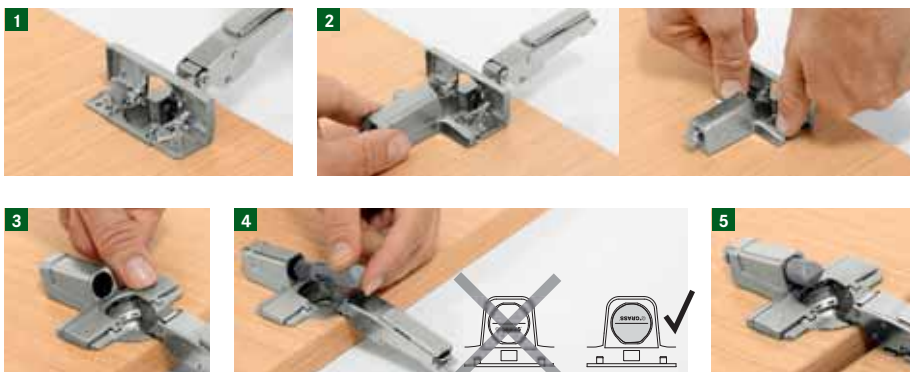
For framed doors we recommend Tiptmatic Plus Click-on.

Ensure that the surface is clean and fully degreased before gluing the adhesive plate.

If Tiptmatic Plus is used in conjunction with a different hold-closed system, Grass does not provide any guarantees.

When fitting Grass furniture hardware, the instructions in the latest sales literature have to be followed in detail; the company cannot accept any liability in the case of incorrect handling. If you require additional information regarding installation and fitting, please contact one of our plants directly. Our staff will be happy to help.

Installation



Tiptmatic Plus Impresso – quick and easy fitting.

- 1 Remove door from cabinet, remove hinge arm cover cap (where applicable) and open hinge cup cover.
- 2 Insert Tiptmatic Plus Impresso adapter squarely onto both seats in the hinge cup, make sure it fits and press down firmly.
- 3 Push the hinge cup cover fully back into place. The adapter should now rest flat on the door.
- 4 With the flatter side facing downwards, push the Tiptmatic ejector fully into the adapter opening.
- 5 Clip door back onto the mounting plates, adjust front gap and replace hinge arm cover cap (where applicable).

Nexis
Impresso

Nexis
Click-on

Nexis
Slide-on

Snap On
3000

Soft-close

Tiptmatic

illuxo

Special
hinges

Cabinet
accessories

Assembly
aids

Index

Tipmatic Plus Click-on

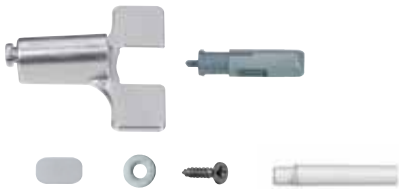
For Nexis Click-on hinges without closing mechanism.



- Gently tapping the front causes the doors to open to a convenient angle
- Compatible with all hinges of the Nexis Click-on series without closing mechanism, see pages 18 – 19
- Can also be retrofitted thanks to its simple assembly

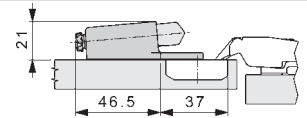
tipmatic-plus

Tipmatic Plus Click-on set



- 1 set consists of:
- 1 Tipmatic Plus Click-on adapter
 - 1 Tipmatic Plus ejector
 - 1 counterplate for gluing
 - 1 counterplate for screw fixing incl. screw
 - 1 magnetic pin

Item No.
924.275.40.0315
PU 100 sets



Tipmatic Plus Click-on adapter



Tipmatic Plus Click-on adapter for Nexis Click-on hinges

Item No.
924.275.40.0015
PU 100 pieces

Tipmatic Plus ejector



Tipmatic Plus ejector for Tipmatic Plus Click-on adapter

Item No.
924.075.00.0075
PU 100 pieces

Linear adapter plate



- Linear adapter plate for magnetic pin
- Design solution, also suitable for insets
 - Fixing with wood screws (3.5 x 13 mm)

Item No.
514.000.36.0439
PU 100 pieces

Frame adapter plate



- Frame adapter plate for magnetic pin
- Quick upgrade installation
 - Fixing with wood screws (3.5 x 13 mm)

Item No.
514.000.36.0539
PU 100 pieces

Magnetic pin and counterplates

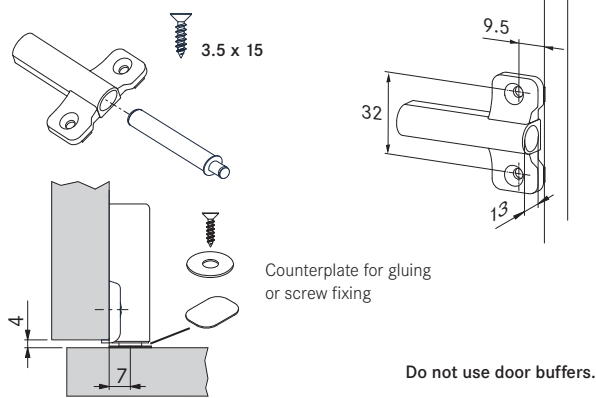


- 1 set consists of:
- 1 magnetic pin
 - 1 counterplate for gluing
 - 1 counterplate for screw fixing incl. screw

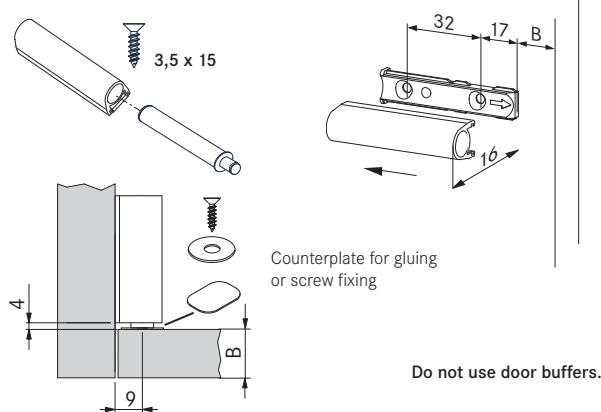
Item No.
646.000.29.0039
PU 100 sets

Adapter plate positions

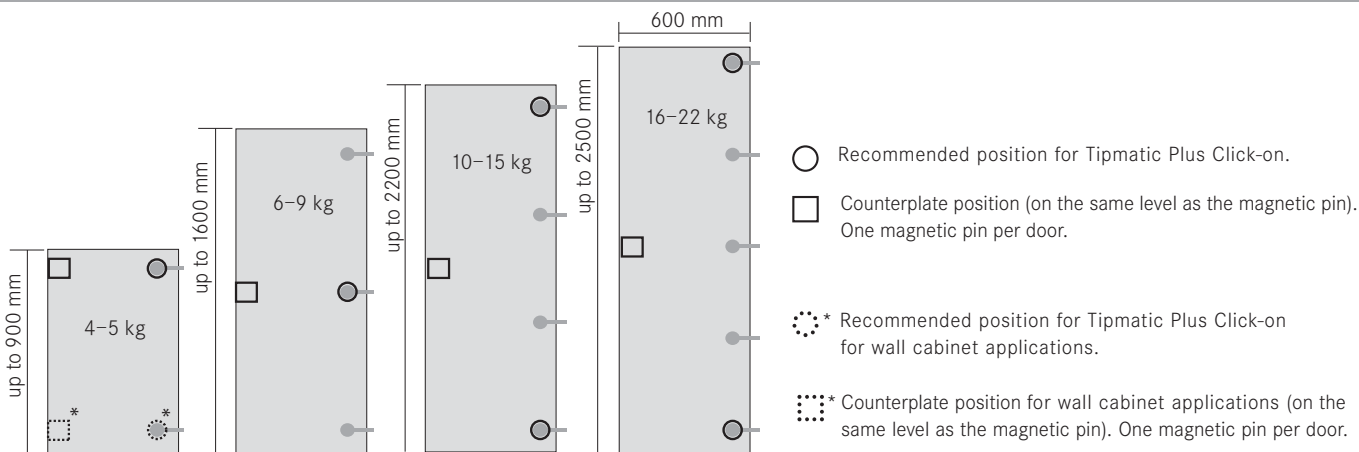
Frame adapter plate



Linear adapter plate



Empfohlene Position für Tipmatic Plus Click-on



Important notes

Tipmatic Plus Click-on is only suitable for hinges without holding spring.

Ensure that the surface is clean and fully degreased before gluing the adhesive plate.

If Tipmatic Plus is used in conjunction with a different hold-closed system, Grass does not provide any guarantees.

When fitting Grass furniture hardware, the instructions in the latest sales literature have to be followed in detail; the company cannot accept any liability in the case of incorrect handling. If you require additional information regarding installation and fitting, please contact one of our plants directly.

Our staff will be happy to help.

Installation



Tipmatic Plus Click-on – quick and easy fitting.

- 1 Remove hinge arm cover cap (where applicable).
- 2 Insert Tipmatic Plus Click-on with the two small hooks underneath into the recesses in the hinge cup, at a slight angle.
- 3 Push down both sides of the adapter simultaneously until it engages with an audible 'click'.
- 4 With the flatter side facing downwards, push the Tipmatic ejector fully into the adapter opening.
- 5 Adjust front gap, put on hinge arm cover cap (where applicable).

Tipmatic Plus 170°

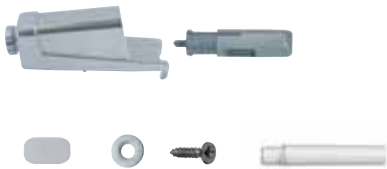
For Nexis Impresso and Nexis Click-on 170° wide-angle hinges without closing mechanism.



- Gently tapping the front causes the doors to open to a convenient angle
- For Nexis Impresso 170° wide-angle hinges without closing mechanism, see page 16
- For Nexis Click-on 170° wide-angle hinges without closing mechanism, see page 18
- Can also be retrofitted thanks to its simple assembly

|||> tipmatic-plus

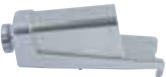
Tipmatic Plus 170° set



- 1 set consists of:
- 1 Tipmatic Plus 170° adapter
 - 1 Tipmatic Plus ejector
 - 1 counterplate for gluing
 - 1 counterplate for screw fixing incl. screw
 - 1 magnetic pin

Item No.
924.275.46.0315
PU 100 sets

Tipmatic Plus 170° adapter



- Tipmatic Plus 170° adapter for Nexis Impresso and Nexis Click-on 170° wide-angle hinges

Item No.
924.275.46.0015
PU 100 pieces

Tipmatic Plus ejector



- Tipmatic Plus ejector for Tipmatic Plus Impresso adapter

Item No.
924.075.00.0075
PU 100 pieces

Linear adapter plate



- Linear adapter plate for magnetic pin
- Design solution, also suitable for insets
 - Fixing with wood screws (3.5 x 13 mm)

Item No.
514.000.36.0439
PU 100 pieces

Frame adapter plate



- Frame adapter plate for magnetic pin
- Quick upgrade installation
 - Fixing with wood screws (3.5 x 13 mm)

Item No.
514.000.36.0539
PU 100 pieces

Magnetic pin and counterplates

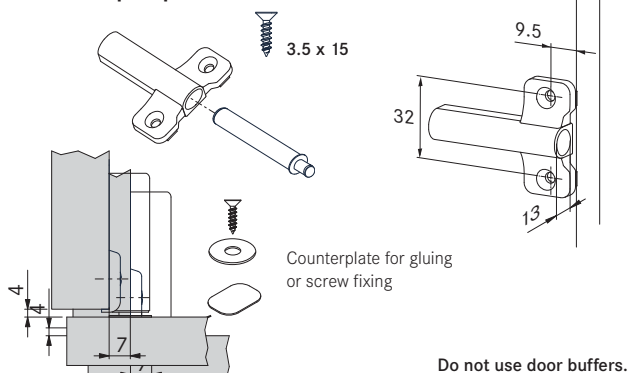


- 1 set consists of:
- 1 magnetic pin
 - 1 counterplate for gluing
 - 1 counterplate for screw fixing incl. screw

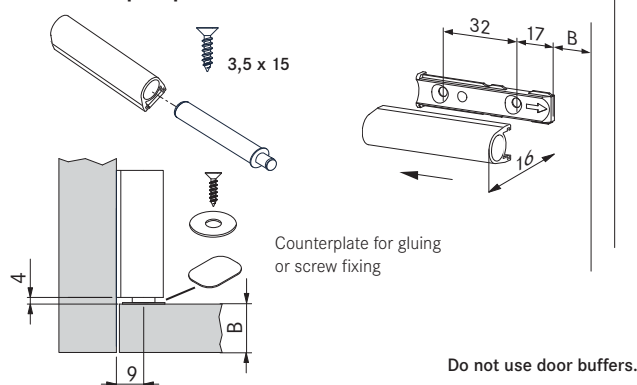
Item No.
646.000.29.0039
PU 100 sets

Adapter plate positions

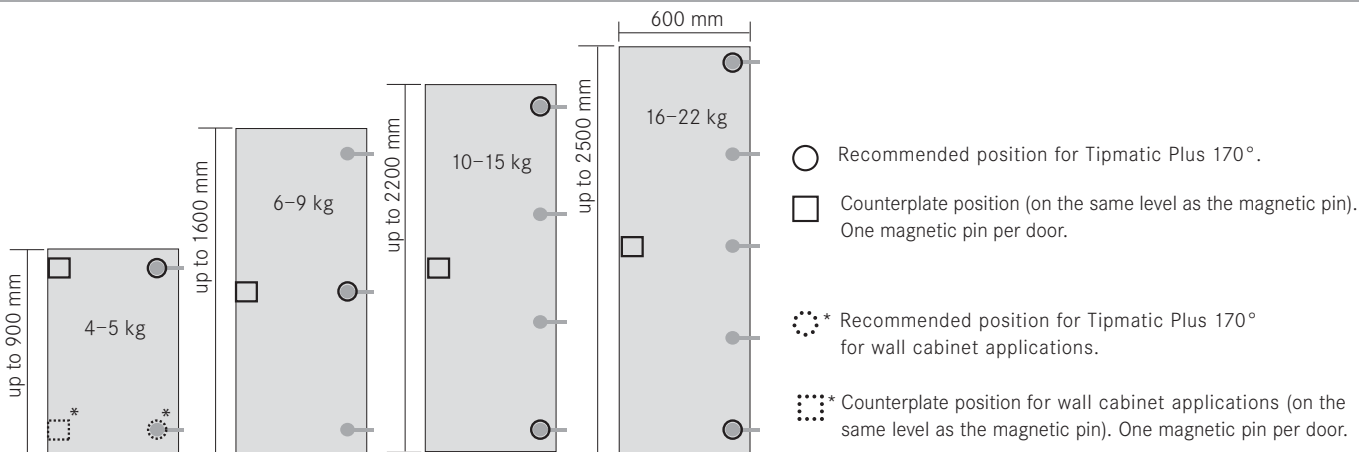
Frame adapter plate



Linear adapter plate



Empfohlene Position für Tipmatic Plus 170°



Important notes

Tipmatic Plus 170° is only suitable for hinges without holding spring.

Ensure that the surface is clean and fully degreased before gluing the adhesive plate.

If Tipmatic Plus is used in conjunction with a different hold-closed system, Grass does not provide any guarantees.

When fitting Grass furniture hardware, the instructions in the latest sales literature have to be followed in detail; the company cannot accept any liability in the case of incorrect handling. If you require additional information regarding installation and fitting, please contact one of our plants directly. Our staff will be happy to help.

Installation

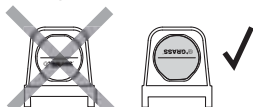
Tipmatic Plus 170° with Nexis Impresso

Tipmatic Plus 170° with Nexis Click-on



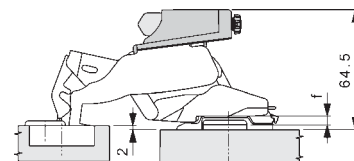
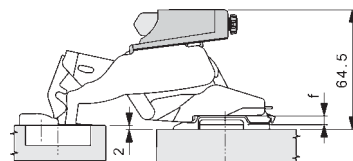
Tipmatic Plus 170° – quick and easy fitting.

1 With the flatter side facing downwards, push the Tipmatic Plus ejector fully into the adapter opening.



2 Insert the adapter with the two small hooks underneath into the recesses in the hinge arm, at a slight angle.

3 Push down the Tipmatic Plus 170° adapter until it engages with an audible “click”.



Drawings with mounting plate, height 02

Tipmatic Plus Mirro

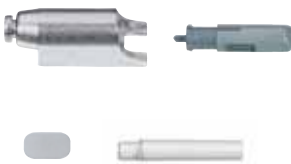
For Nexis Click-on Mirro and Nexis Click-on Mirro -15° hinges without closing mechanism.



- Gently tapping the front causes the doors to open with to a convenient angle
- For Nexis Mirro and Nexis Mirro -15° hinges without closing mechanism, see page 19
- Can also be retrofitted thanks to its simple assembly

|||> tipmatic-plus

Tipmatic Plus Mirro set



1 set consists of:

- 1 Tipmatic Plus Mirro adapter
- 1 Tipmatic Plus ejector
- 1 counterplate for gluing
- 1 magnetic pin

Item No.

924.275.38.0315

PU 100 sets

Tipmatic Plus Mirro adapter



Tipmatic Plus Mirro adapter for Nexis Click-on Mirro hinges

Item No.

924.275.38.0015

PU 100 pieces

Tipmatic Plus ejector



Tipmatic Plus ejector for Tipmatic Plus Mirro adapter

Item No.

924.075.00.0075

PU 100 pieces

Linear adapter plate



Linear adapter plate for magnetic pin

- Design solution, also suitable for insets
- Fixing with wood screws (3.5 x 13 mm)

Item No.

514.000.36.0439

PU 100 pieces

Frame adapter plate



Frame adapter plate for magnetic pin

- Quick upgrade installation
- Fixing with wood screws (3.5 x 13 mm)

Item No.

514.000.36.0539

PU 100 pieces

Magnetic pin and counterplate



1 set consists of:

- 1 magnetic pin
- 1 counterplate for gluing

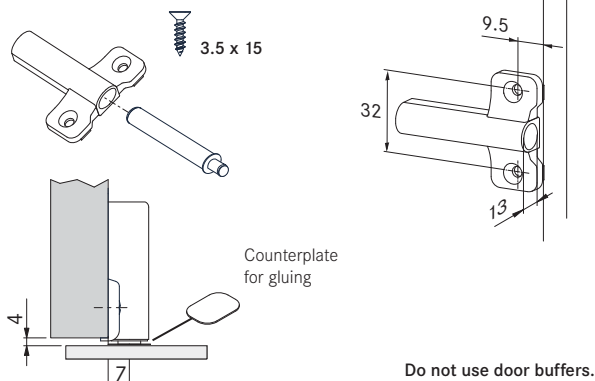
Item No.

646.000.29.0039

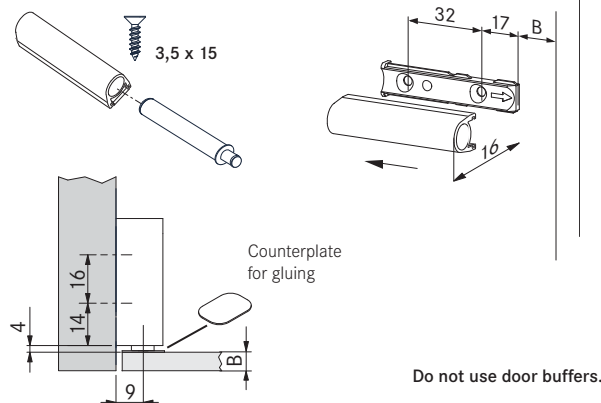
PU 100 sets

Adapter plate positions

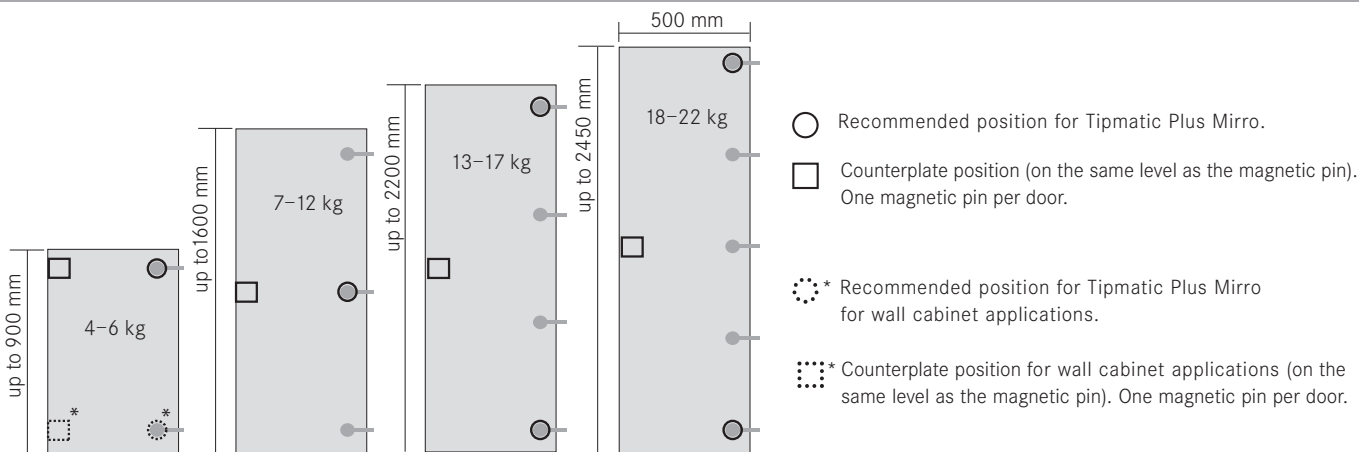
Frame adapter plate



Linear adapter plate



Empfohlene Position für Tipmatic Plus Mirro



Important notes

Tipmatic Plus Mirro is only suitable for hinges without holding spring.

Ensure that the surface is clean and fully degreased before gluing the adhesive plate.

If Tipmatic Plus is used in conjunction with a different hold-closed system, Grass does not provide any guarantees. When fitting Grass furniture hardware, the instructions in the latest sales literature have to be followed in detail; the company cannot accept any liability in the case of incorrect handling. If you require additional information regarding installation and fitting, please contact one of our plants directly. Our staff will be happy to help.

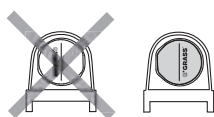
Installation

Tipmatic Plus Mirro with Nexis Mirro

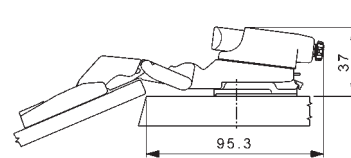
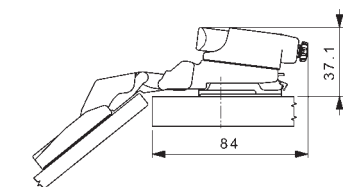


Tipmatic Plus Mirro – quick and easy fitting.

- 1 Push the Tipmatic Plus ejector into the adapter opening with the flatter side on the left.



- 2 Insert the adapter with the hook underneath into the recess in the hinge arm.
- 3 Push the Tipmatic Plus Mirro adapter towards the back until it engages.



Drawings with mounting plate, height 02

Nexis
Impresso

Nexis
Click-on

Nexis
Slide-on

Snap On
3000

Soft-close

Tipmatic

illuxo

Special
hinges

Cabinet
accessories

Assembly
aids

Index

Tipmatic

For handle-free wooden doors and aluminium frame doors.



- Gently tapping the front causes the doors to open to a convenient angle
- Any hinges without closing mechanism can be used
- Large magnet catch range – closes doors reliably
- Gap adjustment from 2.5 to 5.5 mm with integrated, self-locking and toolless depth adjustment feature
- Mounting on the front side of the cabinet or with an adapter plate

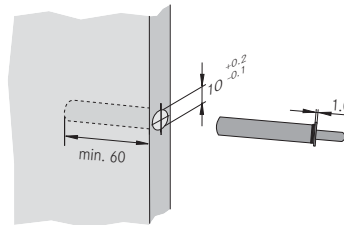
||| > tipmatic

Tipmatic pin

For drilling



- Incl. magnet, Ø 15 x 8 mm (hole edge cover 1 mm)
- Hole drilled from the front
- Plastic RAL 7036, platinum grey



Item No.

68873-06

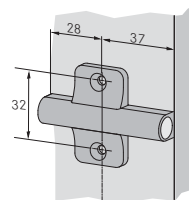
PU 25 pieces

Adapter plate for line drilling

For Euro screws



- Suitable for line boring 28 and 37 mm
- Fixing with Euro screws (6.3 x 13.5)
- Plastic RAL 7035, light grey



Item No.

63310-40

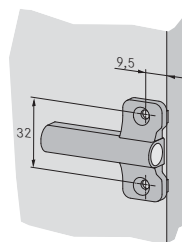
PU 25 pieces

Frame adapter plate

For screw fixing



- Quick upgrade installation
- Fixing with wood screws (3.5 x 13)
- Plastic RAL 7035, light grey



Item No.

63311-40

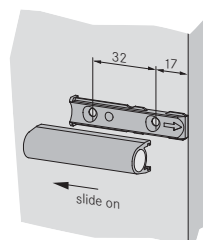
PU 25 pieces

Linear adapter plate

For screw fixing



- Design solution – also suitable for insets
- For fixing use wood screws (3.5 x 13)
- Plastic RAL 7035, light grey



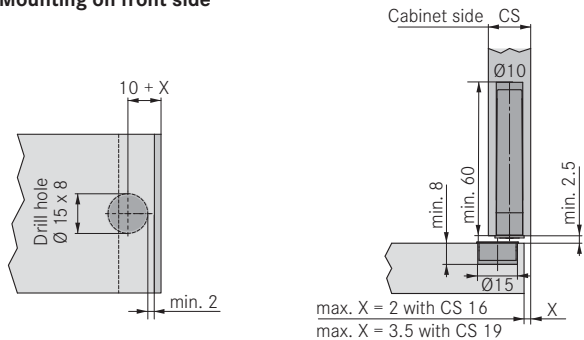
Item No.

63309-40

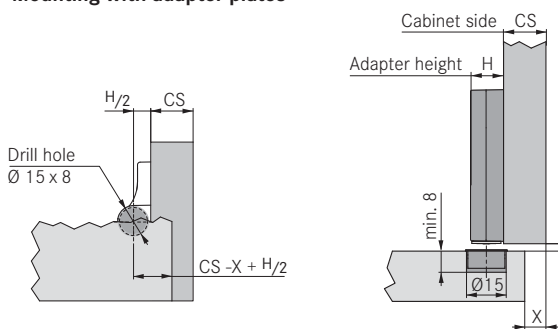
PU 25 pieces

Mounting for full and half overlay wooden doors

Mounting on front side

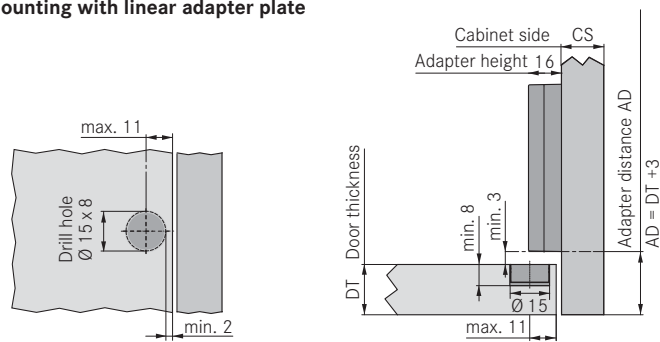


Mounting with adapter plates



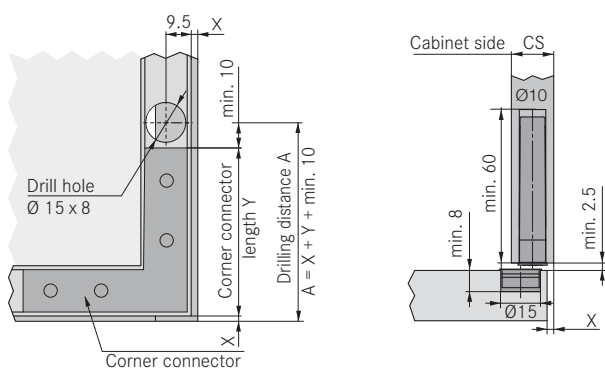
Mounting for inset wooden doors

Mounting with linear adapter plate

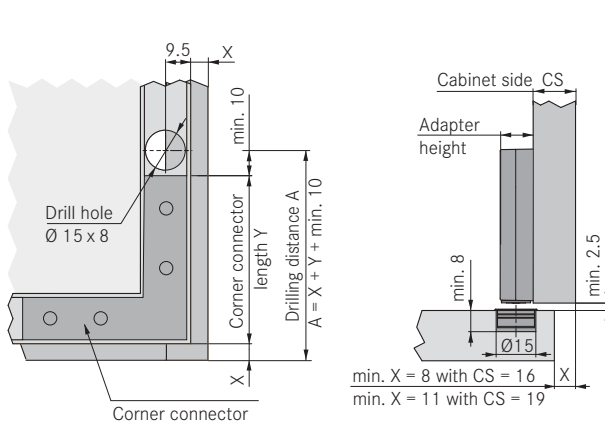


Mounting for full and half overlay aluminium frame doors

Mounting on front side

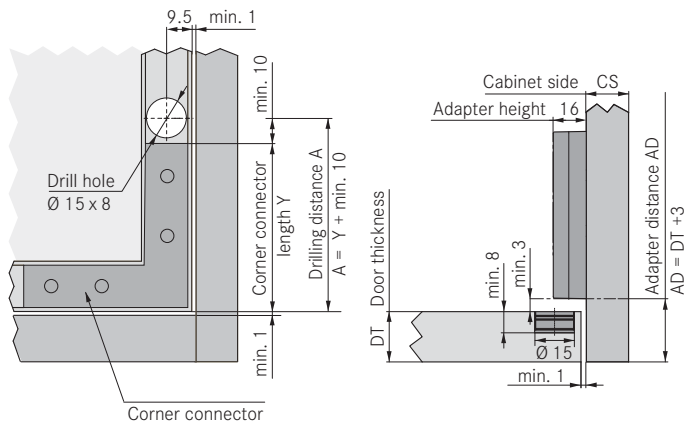


Mounting with adapter plates



Mounting for inset aluminium frame doors

Mounting with linear adapter plate



Nexis Impresso

Nexis Click-on

Nexis Slide-on

Snap On 3000

Soft-close

Tipmatic

illuxo

Special hinges

Cabinet accessories

Assembly aids

Index

Tipmatic

For handle-free glass and mirror doors.



- Gently tapping the front causes the doors to open to a convenient angle
- All glass and mirror door hinges without closing mechanism can be used
- Large magnet catch range – closes doors reliably
- Front gap adjustment from 2.5 to 5.5 mm with integrated, self-locking and toolless depth adjustment feature
- Mounting with linear adapter plate

tipmatic

Tipmatic pin for glass and mirror doors



- Incl. magnet, $\text{Ø} 20 \times 4 \text{ mm}$
- Use with linear adapter plate
- For glass and mirror doors
- Plastic RAL 7036, platinum grey

Item No.

68286-06

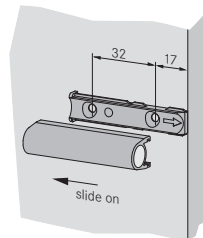
PU 25 pieces

Linear adapter plate

For screw fixing



- Design solution – also suitable for insets
- For fixing use wood screws (3.5×13)
- Plastic RAL 7035, light grey



Item No.

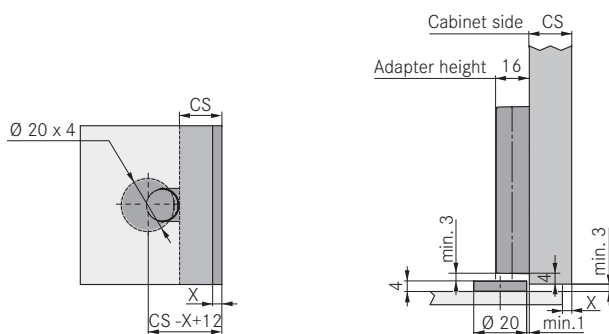
63309-40

PU 25 pieces

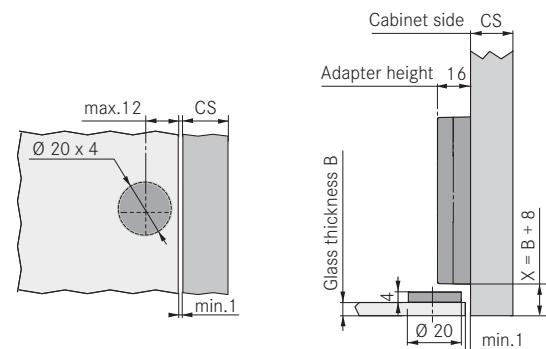
Mounting for full and half overlay glass and mirror doors

Mounting for inset glass and mirror doors

Mounting with linear adapter plate



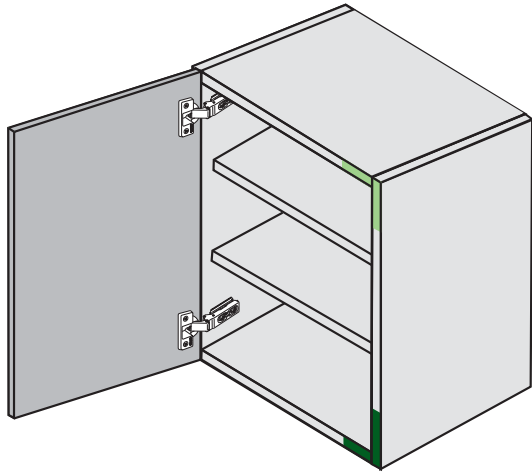
Mounting with linear adapter plate



Installation note:

Before gluing the magnet the adhesive area must be carefully degreased.

Recommended positions



For the wall unit:

Position in the region of the lower corner across from the hinge

For the base unit:

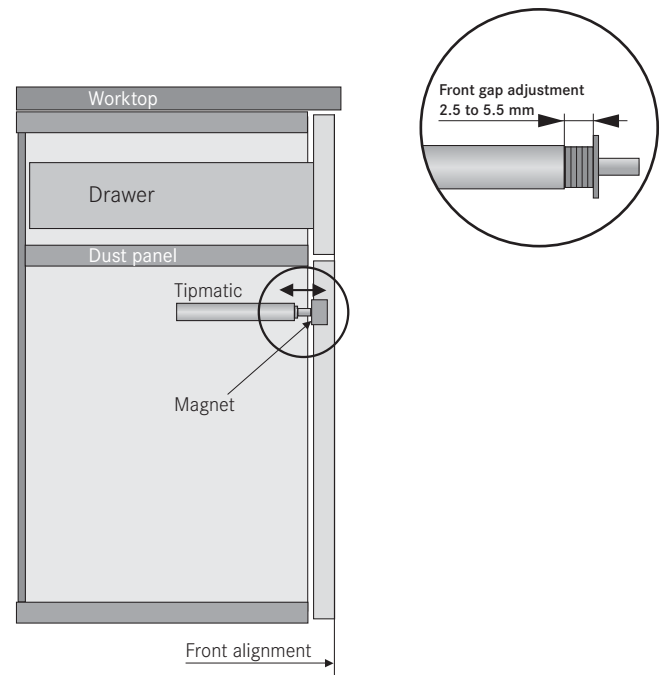
Position in the region of the upper corner across from the hinge

General note regarding the mounting position:

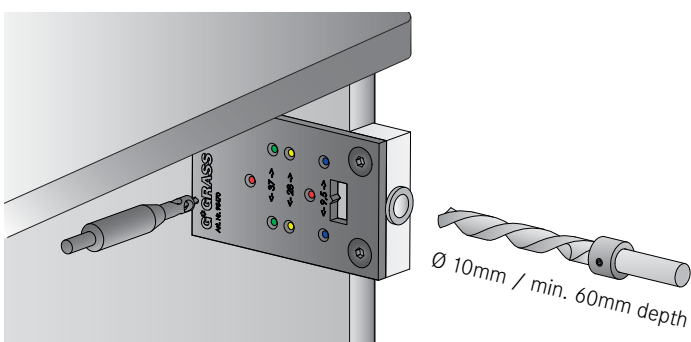
The Tipmatic element is mounted across from the hinge, either by drilling into the front side of the furniture cabinet or with our adapter plates, which are available in different versions.

Front gap adjustment with integrated "toolless depth adjustment" feature

The front gap can be adjusted with the Tipmatic drawer.



Drilling jig for adapter plates and Tipmatic pin



Item No.

95470

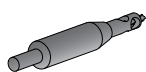
PU 1 piece

The Grass drilling jig for Tipmatic can be used to drill the holes for all types of adapter plates and the Tipmatic pin.

Information:

Drill bits are not included!

Pilot drill bit Ø 3.5 mm

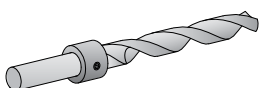


Item No.

35692

PU 1 piece

Drill bit with stop ring Ø 10 mm







Item No.




38823

PU 1 piece

Nexis Impresso hinges without closing mechanism

For Tipmatic Plus and Tipmatic applications.

Nexis Impresso 04 – 100° for standard doors	full overlay	half overlay	inset	
				
	Drilling pattern	Item No.	Item No.	Item No.
	48/9 and 45/9.5	145.604.35.0015	145.604.35.0815	145.604.35.1515
	42/11 and 45/9.5	◆ 137.604.51.0015	◆ 137.604.51.0815	137.604.51.1515
	PU 125 pieces	PU 125 pieces	PU 125 pieces	




Nexis Impresso 22 – 110° for standard doors	full overlay	half overlay		
				
	Drilling pattern	Item No.	Item No.	
	48/9 and 45/9.5	145.622.35.0015	145.622.35.0815	
	42/11 and 45/9.5	137.622.51.0015	137.622.51.0815	
	PU 125 pieces	PU 125 pieces		


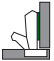

Opening angle reduction clip 85°



Restricts opening angle to 85° for 110° hinges
Prevents doors from colliding with fronts or walls
in corner installations.
Black plastic

Item No.
641.000.10.0062
PU 1000 pieces

Nexis Impresso 29 – 125° for standard doors	full overlay	half overlay		
				
	Drilling pattern	Item No.	Item No.	
	48/9 and 45/9.5	145.629.35.0015	◆ 145.629.35.0815	
	42/11 and 45/9.5	◆ 137.629.51.0015	◆ 137.629.51.0815	
	PU 125 pieces	PU 125 pieces		





Nexis Impresso 65 – 170° wide-angle hinge	full overlay	half overlay		
				
	Drilling pattern	Item No.	Item No.	
	48/9 and 45/9.5	145.765.35.0015	145.765.35.0815	
	42/11 and 45/9.5	137.765.65.0015	137.765.65.0815	
	PU 50 pieces	PU 50 pieces		

Opening angle reduction clip 125°



Restricts opening angle to 125°
for 170° wide-angle hinges
Black plastic

Item No.
641.000.09.9862
PU 250 pieces

Nexis Impresso 05 – 95° profiled door hinge	full overlay	half overlay	inset	
				
	Drilling pattern	Item No.	Item No.	Item No.
	48/9 and 45/9.5	145.605.35.0015	145.605.35.0815	145.605.35.1515
	42/11 and 45/9.5	◆ 137.605.51.0015	◆ 137.605.51.0815	◆ 137.605.51.1515
	PU 125 pieces	PU 125 pieces	PU 125 pieces	

◆ on request (minimum quantity required)

Nexis Impresso 05/45/3 – +45° angle corner cabinet hinge, inset



Drilling pattern	Item No.
48/9 and 45/9.5	◆ 145.705.35.0315
42/11 and 45/9.5	137.705.51.0315
	PU 125 pieces

Cover caps for cranking 00

Item No.

- * Steel, nickel-plated, blank, Tipmatic Plus compatible
- ** Plastic, black, blank, Tipmatic Plus compatible

514.300.21.0215

514.000.22.9762

PU 1000 pieces

Cover caps for cranking 08 and 15

Item No.

- * Steel, nickel-plated, blank, Tipmatic Plus compatible
- ** Plastic, black, blank, Tipmatic Plus compatible

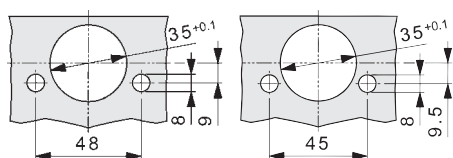
514.300.22.0015

514.000.22.9762

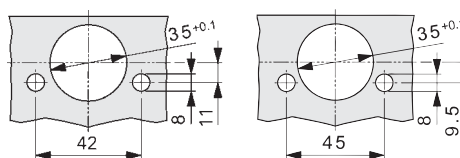
PU 1000 pieces

- * ** on request with individual company logo
- * ** on request with Grass imprint
- * on request with Grass embossed

Combi drilling pattern 48/9 and 45/9.5







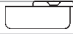

Combi drilling pattern 42/11 and 45/9.5









All dimensions in millimetres.






Nexis Click-on hinges without closing mechanism


For Tipmatic Plus and Tipmatic applications.







Nexis Click-on 04 – 100° for standard doors		full overlay	half overlay	inset	
					
		Drilling pattern	Item No.	Item No.	Item No.
		48/9	145.304.55.0015	145.304.55.0815	145.304.55.1515
		 42/11	◆ 137.304.73.0015	◆ 137.304.73.0815	◆ 137.304.73.1515
		48/9	◆ 145.304.56.0015	◆ 145.304.56.0815	◆ 145.304.56.1515
 42/11	◆ 137.304.74.0015	◆ 137.304.74.0815	◆ 137.304.74.1515		
		PU 250 pieces	PU 250 pieces	PU 250 pieces	

Nexis Click-on 22 – 110° for standard doors		full overlay	half overlay		
					
		Drilling pattern	Item No.	Item No.	
		48/9	145.322.53.0015	145.322.53.0815	
		 42/11	137.322.73.0015	137.322.73.0815	
		48/9	◆ 145.322.54.0015	◆ 145.322.54.0815	
 42/11	137.322.74.0015	137.322.74.0815			
		PU 250 pieces	PU 250 pieces		

Opening angle reduction clip 85°		Item No.
	Restricts opening angle to 85° for 110° hinges	641.000.10.0062
	Prevents doors from colliding with fronts or walls in corner installations.	PU 1000 pieces
Black plastic		

Nexis Click-on 65 – 170° wide-angle hinge		full overlay	half overlay		
					
		Drilling pattern	Item No.	Item No.	
		48/9	145.765.53.0015	145.765.53.0815	
		 42/11	137.765.73.0015	137.765.73.0815	
		48/9	◆ 145.765.54.0015	◆ 145.765.54.0815	
 42/11	137.765.74.0015	137.765.74.0815			
		PU 50 pieces	PU 50 pieces		

Opening angle reduction clip 125°		Item No.
	Restricts opening angle to 125° for 170° wide-angle hinges	641.000.09.9862
	Black plastic	PU 250 pieces

Nexis Click-on 05 – 95° profiled door hinge		full overlay	half overlay	inset	
					
		Drilling pattern	Item No.	Item No.	Item No.
		48/9	145.305.53.0015	145.305.53.0815	145.305.53.1515
		 42/11	◆ 137.305.73.0015	◆ 137.305.73.0815	◆ 137.305.73.1515
		48/9	◆ 145.305.54.0015	◆ 145.305.54.0815	145.305.54.1515
 42/11	◆ 137.305.74.0015	◆ 137.305.74.0815	◆ 137.305.74.1515		
		PU 250 pieces	PU 250 pieces	PU 125 pieces	

◆ on request (minimum quantity required)

Nexis Click-on 05/45/3 – +45° angle corner cabinet hinge, inset



Drilling pattern	Item No.
48/9	145.405.53.0315
42/11	137.404.73.0315
48/9	◆ 145.405.54.0315
42/11	137.404.74.0315
PU 125 pieces	

Nexis Click-on 05/90/4 – blind corner hinge inset



Drilling pattern	Item No.
48/9	145.405.53.9615
48/9	◆ 145.405.54.9615
PU 125 pieces	

Nexis Click-on 07 Mirro mirror and glass door hinges



Item No.	299.707.88.0015
PU 50 pieces	

Nexis Click-on Mirro 07/-15 mirror and glass door hinges



Item No.	299.707.88.9815
PU 50 pieces	

Stainless steel adapter for Mirro hinges



Item No.	621.300.20.5017
PU 50 pieces	

Cover caps for cranking 00, +45°, blind corner and Mirro hinges

- * Steel, nickel-plated, blank, Tipmatic Plus compatible
- ** Plastic, black, blank, Tipmatic Plus compatible

Item No.	514.300.21.0215
	514.000.22.9762
PU 1000 pieces	

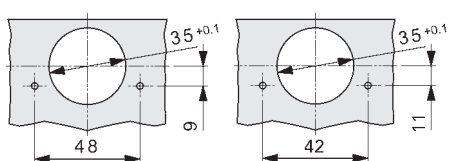
Cover caps for cranking 08 and 15

- * Steel, nickel-plated, blank, Tipmatic Plus compatible
- ** Plastic, black, blank, Tipmatic Plus compatible

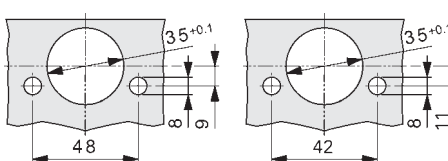
Item No.	514.300.22.0015
	514.000.22.9762
PU 1000 pieces	

- * ** on request with individual company logo
- * ** on request with Grass imprint
- * on request with Grass embossed

Drilling patterns for screw-fix version



Drilling patterns for press-fit version



All dimensions in millimetres.

Tipmatic Plus Click-on	Page 6.8	Tipmatic Plus Mirro	Page 6.12	Click-on mounting plates	Page 2.62 - 2.71
Tipmatic Plus 170°	Page 6.10	Tipmatic pin	Page 6.14 - 6.17		

