

# Hardware Guide

Drawer Slides | Shelving | Closet and Specialty Hardware



KNAP & VOGT®

# Contents



## Drawer Slides . . . . . 2

For more than a century, we've studied and mastered the mechanics of motion hardware and drawer slides. We offer a wide variety of disconnects, extensions, movement designs, bearing options, and evolving choices for mounting, detent, finishes, and more. Our in-stock options are extensive with solutions at every price point and for every level of application duty.



## Shelving . . . . . 79

Knapé & Vogt's shelving hardware has been helping to store and support people's most important possessions for over a century. Standards, brackets, pilaster standards, clips, supports and flanged brackets—we offer U.S.-made solutions that range from elegant and decorative to oversized and heavy-duty.



## Closet and Specialty Hardware . . . . . 107

For cabinetry, storage and woodworking projects, Knapé & Vogt offers attractive and durable specialty hardware, including pulls, fasteners, catches, mirror clips, glass clips, door locks and joint fasteners.

## Index . . . . . 129

## Limited Warranty and Return Policy . . . . . 130

Knapé & Vogt's names and logos and all related trademarks, including series numbers (e.g., 85 and 185 Series), trademarks and other intellectual property are the property of Knapé & Vogt Manufacturing Company and cannot be used without its express prior written permission.



# Drawer Slides

How to Choose a Drawer Slide . . . . . 3  
 Drawer Slide Quick Reference and Application Matrices . . . . . 4

## Light-Duty Drawer Slides . . . . . 9

1175 3/4 Extension Center Under Drawer Slide . . . . . 10  
 1260, 1265 3/4 Extension Drawer Slides . . . . . 11  
 1275 3/4 Extension Drawer Slide . . . . . 12  
 1284 Epoxy-Coated Drawer Slide . . . . . 13  
 1300, 1305, 1315, 1375 3/4 Extension Drawer Slides . . . . . 14  
 1805 Epoxy-Coated Drawer Slide . . . . . 15  
 8300 3/4 Extension Box Drawer Slide with Quick Disconnect Rail . . . . . 16  
 8350, 8355, 8357 3/4 Extension Drawer Slides . . . . . 17  
 4400 Low Profile Full Extension Drawer Slide . . . . . 18  
 4430 Low Profile Full Extension Push-to-Open Drawer Slide . . . . . 19  
 4450 Low Profile Full Extension Soft-Close Drawer Slide . . . . . 20

## Medium-Duty Drawer Slides . . . . . 21

8400 Full Extension Box or File Drawer Slide . . . . . 22  
 8405 Over Travel Box or File Drawer Slide . . . . . 24  
 8407 Full Extension Box or File Drawer Slide with Shelf Tabs . . . . . 25  
 8414 Full Extension Hold-Out Drawer Slide . . . . . 26  
 8417, 8419, 8400RV Self-Closing Drawer Slides . . . . . 27  
 8420 Full Extension Metal Cabinet and Drawer Slide . . . . . 28  
 8425 Over Travel Metal Cabinet and Drawer Slide . . . . . 29  
 8450FM, 8455FM Soft-Close Drawer Slides . . . . . 30  
 KV GSlide GS4200 Full Extension Drawer Slide . . . . . 31  
 KV GSlide GS4205 Over Travel Drawer Slide . . . . . 32  
 KV GSlide GS4260 Push-Open Drawer Slide . . . . . 33  
 KV GSlide GS4270 Soft-Close Drawer Slide . . . . . 34  
 KV Tru-Trac TT100 Full Extension Ball-Bearing Drawer Slide . . . . . 35  
 KV DuriSlide 4500 Ball-Bearing Drawer Slide . . . . . 36

## Undermount Drawer Slides . . . . . 37

KV GSlide GS2070 Full Extension Undermount Drawer Slide . . . . . 38  
 MuV+ Full Extension Undermount Drawer Slide . . . . . 39  
 MuV+34 Full Extension Undermount Drawer Slide . . . . . 40  
 MuV+HD Heavy-Duty Full Extension Undermount Drawer Slide . . . . . 41  
 MuV+34HD Heavy-Duty Full Extension Undermount Drawer Slide . . . . . 42

## Heavy-Duty Drawer Slides . . . . . 43

6500 Full Extension Box or File Drawer Slide . . . . . 44  
 6505 Over Travel Box or File Drawer Slide . . . . . 45  
 8500, 8505 Heavy-Duty File or Lateral Drawer Slides . . . . . 46  
 8520, 8525 Extra Heavy-Duty File or Lateral Drawer Slides . . . . . 47  
 8600 Heavy-Duty Full Extension Drawer Slide . . . . . 48  
 8605 Heavy-Duty Over Travel Drawer Slide . . . . . 49  
 8620 Heavy-Duty Full Extension Metal Cabinet and Drawer Slide . . . . . 50  
 8625 Heavy-Duty Over Travel Metal Cabinet and Drawer Slide . . . . . 51  
 8650FM Heavy-Duty Soft-Close Full Extension Drawer Slide . . . . . 52  
 8655FM Heavy-Duty Soft-Close Over Travel Drawer Slide . . . . . 53  
 8810 Heavy-Duty Full Extension Drawer Slide . . . . . 54  
 8815 Heavy-Duty Over Travel Drawer Slide . . . . . 55  
 8820 Heavy-Duty Full Extension Metal Cabinet and Drawer Slide . . . . . 56  
 8825 Heavy-Duty Over Travel Metal Cabinet and Drawer Slide . . . . . 57  
 8900 Extra Heavy-Duty Full Extension Drawer Slide . . . . . 58  
 8908, 8909, 8910 Extra Heavy-Duty Full Extension Locking Drawer Slides . . . . . 59

## Specialty Drawer Slides . . . . . 60

6300 Corrosion Resistant Finish Drawer Slide . . . . . 61  
 6400 Stainless Steel Drawer Slide . . . . . 62  
 8000 Over Travel Undermount Pantry Drawer Slide . . . . . 63  
 8500T, 8505T, 8520T, 8525T Lateral File Drawer Systems . . . . . 64

## Overhead Door and Desk Slides . . . . . 65

4461D 5/8 Extension Variable Height Keyboard Slide . . . . . 66  
 8100 3/4 Extension Keyboard Slide . . . . . 67  
 8150, 8157 3/4 Extension Variable Height Keyboard Slides . . . . . 68  
 8200 3/4 Extension Pencil or Center Drawer Slide . . . . . 69  
 8250 3/4 Extension Variable Height Pencil or Center Drawer Slide . . . . . 70  
 8040, 8041, 8042, 8043, 8044, 8045 Hinged Door Slides . . . . . 71  
 8050 Hinged Door Slide . . . . . 72

## Door Slides and Hinge Kits . . . . . 73

8070, 8071, 8072 Pivot Door Slides . . . . . 74  
 8080, 8081, 8082 Pivot Door Slides . . . . . 75  
 8091, 8092 Pivot Door Slides . . . . . 76  
 4x4 Pocket Door Full Overlay Kit . . . . . 77  
 Salice Hinge Kits . . . . . 78

# How to Choose a Drawer Slide

## Design Factors

Each drawer slide model has unique performance characteristics that are determined by the intended application for which it is designed. There are many different slides available for a variety of applications; choose the slide that best fits your application.

**Length.** Slide length is a key factor. Typically, the longer the slide, the less load it will carry and vice versa.

**Travel.** Travel is the maximum extension compared to the closed length. Most slides are either 3/4 or full travel. Special extension lengths are available with modified travel. In general, the longer the travel, the less load a slide can carry and vice versa.

- A 3/4 travel slide has extension to approximately 75% of its length.
- A full travel slide has extension approximately equal to its length.
- An over travel slide extends beyond its length.

**Width.** Drawer width affects the rigidity of the installation. In wide drawers, the slides will rack from side to side. Excessive racking can degrade performance and shorten slide life.

**Action.** The type of mechanism used to carry the load affects slide performance, motion, noise, and the “fit and feel.” KV slides use rollers, ball-bearings, friction fits, or any combination in achieving movement. In general, superior action requires more rollers or ball-bearings to support and distribute large loads.

**Size.** In addition to a slide’s load rating, the physical size of the application is a consideration.

Drawers having unusual width, depth, or height especially require careful consideration to determine which slide best suits the application.

**Operating Clearance.** Drawer slides operate within a specified clearance (the space between the drawer and the case). The clearance must be strictly held within the specified tolerances. When the clearance is too wide or too narrow, the slide will experience additional forces and stresses that will reduce its expected performance and life.

## Case Goods Construction and

**Materials.** Slides perform better when mounted in rigidly constructed furniture. Construction with soft or thin materials often results in flexing. This causes the drawer to rack from

side to side, placing considerable stress on the slides. Do not use drawer slides as support members carrying structural loads.

## Application Factors

**Location of Pull.** The location of the drawer handle affects slide performance. Center pull positions “are recommended because they permit a balanced pull force evenly carried by both slides. Side or edge pulls put more force directly on one slide than the other, causing the two slides to progress at different speeds. The additional force required to open and close the drawer hinders performance and shortens slide life.

**Installation.** Most slide designs require installation in a single position. Carefully study the application before installing the slides in different or abnormal positions.

1. **Orientation.** Slides should not be installed in an orientation other than for their intended usage. For example, a slide designed for Side-mounting may lose 75 percent or more of its load-carrying capacity if mounted flat underneath a drawer.
2. **Location.** Drawer construction, pull position, and type of load are all key considerations to determine the best location to fasten the slides.
3. **Balance.** Most slides are designed for use in pairs. For example, suspending a load from just one side (cantilevered load) causes excessive stress and may result in premature slide failure.

**Fastening.** For best performance, slides require proper fastening. Use the recommended fasteners in sufficient quantity to properly secure the slide. Too few fasteners can cause the slide to pull loose and cause damage. Abnormal fastening methods should be carefully evaluated, because methods such as gluing, riveting, or welding may have unanticipated effects.

## Load Factors

**Alignment.** Slides run in a straight motion. The more precisely the slides are aligned, the less chance they will work against each other.

**Load Ratings.** KV designates drawer slides in “Pound Class” categories, and uses dynamic (rather than static) loading to determine load ratings. The “Pound Class” categories are used within the slide industry as general guidelines for drawer slide selection. These categories are not the same as actual load ratings. Load ratings vary based on slide length, application, and case goods construction.

The categories provide a reference point in selecting which slide may fit a particular application. The Pound Class designations are not intended as a substitute for actual product testing. Proper slide selection may be significantly different from the Pound Class designation, depending on the application or other use factors. Representative testing of the selected drawer slide in the fully configured application is the only way to assure proper performance, durability, and safety.

**Static Loads.** A static load is a resting load without any motion. Static load capacity is significantly higher than dynamic load capacity.

**Dynamic Loads.** A dynamic load is a load in motion. When a dynamic load gains momentum, it induces more stress and fatigue. Slides must withstand more forces when in motion than when still.

Dynamic loads affect the life and performance of any slide. Other load factors affecting performance are:

1. An evenly or unevenly distributed load
2. A centered or off-centered load
3. The load’s center-of-gravity relative to the slide’s centerline-of-travel
4. The number of cycles
5. The speed or frequency of cycles
6. The length of the cycle stroke
7. The percent of travel
8. The stopping force and distance

## Abnormal Loads/Vibration.

Shipping, abusive loads, and impact loads—even in short duration—put large stresses on the slide and can cause immediate or premature failure. Excessive or continuous vibrations can also reduce slide performance and life.

**Corrosion.** Excessive humidity, salts, or other chemical agents can corrode the finish and attack metal or plastic components. The effects may be immediate, or they may develop over time.

**Lubrication.** Knapé & Vogt lubricates slides at the factory. However, contaminants such as dirt, filings, sawdust, paints, etc. can rapidly break down the effectiveness of the factory-applied lubricant.

**Temperature.** Extreme high or low temperatures can cause lubricants to thin or gel. Extreme temperatures caused by equipment such as finishing ovens can deteriorate a slide’s plastic and rubber components.

**Finishing.** Over-spray from stains, paints, varnishes, or other finishing agents may degrade the quality of a slide’s “fit and feel.” These types of chemical agents can also attack plastic, rubber, and metal slide components. It’s important to properly mask or otherwise protect installed slides before finishing furniture and cabinetry.

Proper slide specification and installation are keys to long and problem-free operation. To help you select the drawer slides best-suited to your specific applications, Knapé & Vogt offers a free consultation service. KV also offers a “no charge” testing service.

KV strongly recommends that manufacturers test representative samples of the complete application. Appropriate industry standards should be followed to assure proper performance, durability, and safety.

NOTE: Knapé & Vogt’s testing service does not include product cost nor freight cost to or from the KV test laboratory. Product is properly disposed of shortly after testing, unless otherwise requested.

# Drawer Slides Quick Reference Guide

	Mounting Style	Load Class	Slide Type		Extension			Disconnect Type					Open/Close Features								
			Roller Bearing	Ball-Bearing	Undermount	3/4 Extension	Full Extension	1" Over Travel	No Disconnect	Friction Release	Lever Release	Lift Out	Quick Disconnect (QD RAIL)	Hold In Anti-Rebound	Hold-Out/Open	Lock-In	Lock Open	Self-Close	Push-to-Open	Soft-Close	Sheff Tabs
Light-Duty Slides																					
1175	Under	50	•			•						•									
1260	Side	60	•			•															
1265	Side	60	•			•						•									•
1275	Side	60	•			•						•									
1284	Side	75	•			•						•									
1300	Side	75	•			•									•						
1305	Side	100	•			•						•									
1315	Side	75	•			•						•									•
1375	Side	75	•			•						•									
1805	Side	75	•			•						•			•		•				
8300	Side	75		•		•							•								
8350	Side	75		•		•							•								
8355	Side	75		•		•							•								
8357	Side	75		•		•							•		•					•	
4400	Side	65		•			•								•						
4430	Side	65		•			•												•		
4450	Side	65		•			•												•		
Medium-Duty Slides																					
8400	Side	100		•			•								•						
8405	Side	90		•				•							•						
8407	Side	100		•			•								•					•	
8414	Side	100		•			•								•						
8417	Side	100		•			•								•			•			
8419	Side	90		•				•							•			•			
8420	Side	100		•			•								•						
8425	Side	90		•				•							•						
8400RV	Side	100		•			•								•						
8450FM	Side	100		•			•								•					•	
8455FM	Side	90		•				•							•					•	
MuV+	Under	75			•		•								•					•	
MuV+34	Under	75			•		•								•					•	
MuV+HD	Under	120			•		•								•					•	
MuV+34HD	Under	120			•		•								•					•	
GS2070	Under	75			•		•								•					•	
GS4200	Side	100		•			•								•						
GS4205	Side	90		•				•							•						
GS4260	Side	100		•			•								•						
GS4270	Side	100		•			•								•					•	
TT100	Side	100		•			•								•						
DUR4500	Side	100		•			•								•						

# Drawer Slides Quick Reference Guide *(continued)*

Mounting Style	Load Class	Slide Type			Extension			Disconnect Type					Open/Close Features					V-Notch (Special Order)		
		Roller Bearing	Ball-Bearing	Undermount	3/4 Extension	Full Extension	1" Over Travel	Disconnect	No Friction Release	Lever Release	Lift Out	Quick Disconnect (OD RAIL)	Hold In Anti-Rebound	Hold-Out / Open	Lock-In	Lock Open	Self-Close		Push-to-Open	Soft-Close
<b>Heavy-Duty Slides</b>																				
6500	Side	125		•		•				•				•						
6505	Side	125		•			•			•				•						
8500	Side	150		•		•							•	•						
8505	Side	150		•			•						•	•						
8520	Side	175		•		•							•	•						
8525	Side	175		•			•						•	•						
8600	Side	150		•		•				•				•						
8605	Side	140		•			•			•				•						
8620	Side	150		•		•				•				•						
8625	Side	140		•			•			•				•						
8650FM	Side	150		•		•				•				•				•		
8655FM	Side	140		•		•		•		•				•				•		
8810	Side	200		•		•				•				•					•	
8815	Side	190		•			•			•				•						
8820	Side	200		•		•				•				•						
8825	Side	190		•			•			•				•						
8900	Side	150-500		•		•			•					•						
8908	Side	150-500		•		•			•						•		•			
8909	Side	150-500		•		•			•							•				
8910	Side	150-500		•		•			•					•						
<b>Specialty Slides</b>																				
6300	Side	100		•		•				•				•						
6400	Side	100		•		•				•				•						
8000	Under	130		•			•				•			•						
8500T	Side	150		•		•							•	•						
8505T	Side	150		•			•							•						
8520T	Side	175		•		•								•						
8525T	Side	175		•			•							•						
4461D	Under	75		•																
8100	Under	75		•		•			•					•		•				
8150	Under	75		•		•				•				•		•				
8157	Under	75		•		•				•				•		•				
8200	Under	75		•		•								•		•				
8250	Under	75		•		•				•				•		•				

# Ball-Bearing Slides: Suggested Product Application Matrix

Part Number	Recommended Applications													Available Stock Sizes										
	Special Order Only	60"	48"	42"	40"	36"	34"	32"	30"	28"	26"	24"	22"	20"	18"	16"	15"	14"	13"	12"	10"	8"	6"	
4400																								
4430																								
4450																								
6300																								
6400																								
6500																								
6505																								
8000																								
8040EZ																								
8041EZ																								
8042EZ																								
8043EZ																								
8044EZ																								
8045EZ																								
8050EZ																								
8070EZ																								
8071EZ																								
8072EZ																								
8080EZ																								
8081EZ																								
8082EZ																								
8091																								
8092																								
8100																								
8150																								
8157																								
8200																								
8250																								
8300																								
8350																								
8355																								
8357																								
8400																								
8405																								
8407																								
8414																								
8417																								
8419																								
8420																								
8425																								

# Ball-Bearing Slides: Suggested Product Application Matrix *(continued)*

Part Number	Recommended Applications													Available Stock Sizes										
	Special Order Only	60"	48"	42"	40"	36"	34"	32"	30"	28"	26"	24"	22"	20"	18"	16"	15"	14"	13"	12"	10"	8"	6"	
8400RV																								
8450FM																								
8455FM																								
8500																								
8500TQ																								
8505TQ																								
8505																								
8520																								
8520TQ																								
8525																								
8525TQ																								
8600																								
8605																								
8620																								
8625																								
8650FM																								
8655FM																								
8810																								
8815																								
8820																								
8825																								
8900																								
8908																								
8909																								
8910																								
GS4200																								
GS4205																								
GS4260																								
GS4270																								
TT100																								
DUR4500																								



# Roller Bearing Slides: Suggested Product Application Matrix

Part Number	Recommended Applications										Available Stock Sizes																	
	Kitchen Cabinets	Bathroom Vanities	Architectural Woodwork	Residential Furniture	Institutional Furniture	Office Furniture	Store Fixtures	Work Benches	Fine Cabinetry	Special Order Only	12"	14"	16"	18"	20"	22"	22-5/8"	24"	26"	28"	300mm	350mm	400mm	450mm	500mm	550mm	600mm	650mm
1175	•	•											•	•	•	•	•											
1260	•	•	•								•	•	•	•	•	•	•											
1265	•	•	•						•	•	•	•	•	•	•	•	•											
1275	•	•	•								•	•	•	•	•	•	•											
1284	•	•	•	•																	•	•	•	•	•	•	•	•
1300	•	•	•				•			•	•	•	•	•	•	•	•	•	•	•								
1305	•	•						•		•	•	•	•	•	•	•	•	•	•	•								
1315	•	•							•	•	•	•	•	•	•	•	•											
1375	•	•							•																			
1805	•	•	•	•																	•	•	•	•	•	•	•	•

# Undermount Drawer Slide Size Guide

Part Number	Available Stock Sizes												
	9"	10"	12"	14"	15"	16"	18"	20"	21"	22"	24"	27"	30"
MuV+	•	•	•	•	•	•	•	•	•	•			
MuV+34	•	•	•	•	•	•	•	•	•	•			
MuV+HD							•	•	•	•	•	•	•
MuV+34HD							•	•	•	•	•	•	•
GS2070	•		•		•		•		•				



# Light-Duty Drawer Slides

1175 3/4 Extension Center Under Drawer Slide . . . . .	10
1260, 1265 3/4 Extension Drawer Slides . . . . .	11
1275 3/4 Extension Drawer Slide . . . . .	12
1284 Epoxy-Coated Drawer Slide . . . . .	13
1300, 1305, 1315, 1375 3/4 Extension Drawer Slides . . . . .	14
1805 Epoxy-Coated Drawer Slide . . . . .	15
8300 3/4 Extension Box Drawer Slide with Quick Disconnect Rail . . . . .	16
8350, 8355, 8357 3/4 Extension Drawer Slides . . . . .	17
4400 Low Profile Full Extension Drawer Slide . . . . .	18
4430 Low Profile Full Extension Push-to-Open Drawer Slide . . . . .	19
4450 Low Profile Full Extension Soft-Close Drawer Slide . . . . .	20

	Mounting Style	Load Class	Roller Bearing	Ball-Bearing	3/4 Extension	Full Extension	1" Over Travel	No Disconnect	Friction Release	Lever Release	Disconnect Type		Open/Close Features							
											Lift Out	Quick Disconnect	Hold In Anti-Rebound	Hold-Out / Open Lock Open	Self-Close	Push-to-Open	Soft-Close	Shelf Tabs	V-Notch Special Order	
1175	Under	50	•		•						•									
1260	Side	60	•		•					•			•							
1265	Side	60	•		•					•			•							•
1275	Side	60	•		•						•		•							
1284	Side	75	•		•						•		•							
1300	Side	75	•		•					•				•						
1305	Side	100	•		•					•				•						
1315	Side	75	•		•					•				•						•
1375	Side	75	•		•						•			•						
1805	Side	75	•		•						•		•	•				•		
8300	Side	75		•	•							•		•						
8350	Side	75		•	•					•			•							
8355	Side	75		•	•					•			•	•						
8357	Side	75		•	•					•			•	•						•
4400	Side	65		•		•				•			•							
4430	Side	65		•		•				•			•						•	
4450	Side	65		•		•				•			•						•	

# 1175 3/4 Extension Center Under Drawer Slide



## Features

- Mounts with staples or screws
- Drawers lift out for easy removal
- Recommended maximum drawer width 18"

**Mounting:** Under-drawer

**Action:** Rollers

**Load Rating:** 50 lb. class

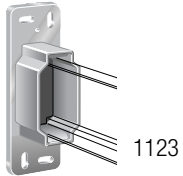
**Height:** 1" [25.4mm]

**Finish:** Zinc (ZC)


## Configurations

Bulk (B)	50 slides per carton without screws	
Poly (P)	1 slide per bag with screws; 10 slides per carton	
<b>1175 Zinc (ZC) Finish</b>		
<b>Size</b>	<b>Bulk (B)</b>	<b>Poly (P)</b>
18"	–	1175P ZC 18
20"	–	1175P ZC 20
22"	1175B ZC 22	–
22-5/8"	1175B ZC 22-5/8	1175P ZC 22-5/8
24"	–	1175P ZC 24

## Mounting Brackets

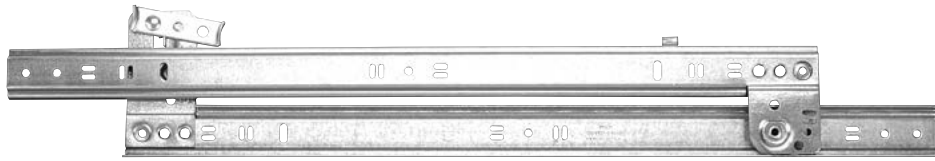


1123

Recommended Fasteners	KV Part	Finish	Qty
 #6 x 1/2" Phillips Pan Head	200106-5	Zinc (ZC)	1000

Product	Pack
1123 PLAS	500 per carton

# 1260, 1265 3/4 Extension Drawer Slides

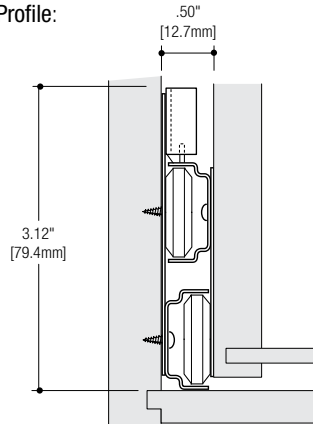


## Features

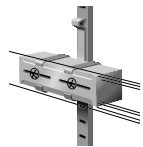
- Positive stop
- Rollers operate on ball-bearings
- Lever disconnect
- Recommended maximum drawer width 18"

1260: 3/4 extension slide  
 1265: 3/4 extension V-Notch wrap around drawer slide  
**Mounting:** Side  
**Action:** Ball-bearing rollers  
**Load Rating:** 60 lb. class  
**Height:** 3.12" [79.4mm]  
**Clearance:** .50" + .03" - 0" on each side  
**Finish:** Almond (ALM), Brown (BRN), Zinc (ZC)

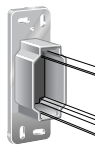
### Profile:



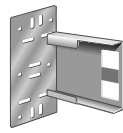
## Mounting Brackets



**1303**  
Vertically Adjustable  
Side-Mounting Bracket



**1123 PLAS**  
Plastic Rear  
Mounting Bracket



**1304**  
Metal Rear  
Mounting Bracket

Product	Pack
1303	100 per carton
1123 PLAS	500 per carton
1304	100 per carton

## Configurations

Bulk (B)	10 pairs per carton without screws
Poly (P)	1 pair per bag with screws; 10 pairs per carton
Quantity (Q)	50 pairs per carton without screws; multiple cartons

### 1260 Brown (BRN) Finish

Size	Bulk (B)	Poly (P)
12"	1260B BRN 12	–
14"	1260B BRN 14	–
16"	1260B BRN 16	–
18"	1260B BRN 18	–
20"	1260B BRN 20	–
22"	1260B BRN 22	–
24"	1260B BRN 24	–

### 1260 Zinc (ZC) Finish


12"	1260B 12	1260P 12
14"	1260B 14	1260P 14
16"	1260B 16	1260P 16
18"	1260B 18	1260P 18
20"	1260B 20	1260P 20
22"	1260B 22	1260P 22
24"	1260B 24	1260P 24

### 1260 Combinations

Size	Product	Finish
18" x 19-3/4"	1260BSW18001975	Zinc (ZC)
18" x 20"	1260BSW18002000	Zinc (ZC)
18" x 22-3/4"	1260BSW20002275	Zinc (ZC)
18" x 20"	1260K ALM 18X20	Almond (ALM)
18" x 20"	1260K BRN 18X20	Brown (BRN)
18" x 22-3/4"	1260KBN2022-3/4	Brown (BRN)

### 1265 Slides Quantity (Q) Pack

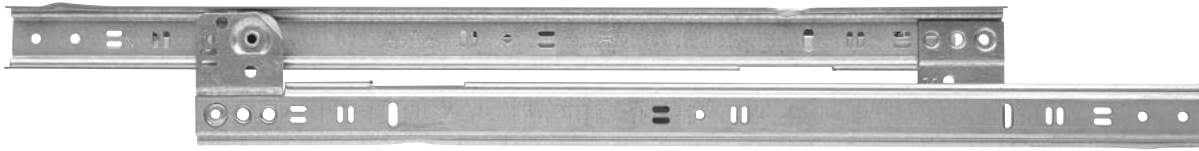
Size	1265 Zinc (ZC)	
12"	1265 ZC 12	–
14"	1265 ZC 14	–
16"	1265 ZC 16	–
18"	1265 ZC 18	–
20"	1265 ZC 20	–
22"	1265 ZC 22	–
24"	1265 ZC 24	–

Recommended Fasteners	KV Part	Finish	Qty
 #7 x 3/32" Phillips Pan Head	1300-83	Zinc (ZC)	1000

■ Non-stock item – minimum order quantities and additional lead time may apply.

- Optional bracket used with pilaster strips (KV# 255, 233) mounted within the cabinet.
- Allows slide to be adjusted vertically when changes in drawer height are necessary.
- For use with combination length slides.

# 1275 3/4 Extension Drawer Slide



## Features

- Stay close design
- Lift out disconnect
- Rollers operate on ball-bearings
- Recommended maximum drawer width 18"

**Mounting:** Side

**Action:** Ball-bearing rollers

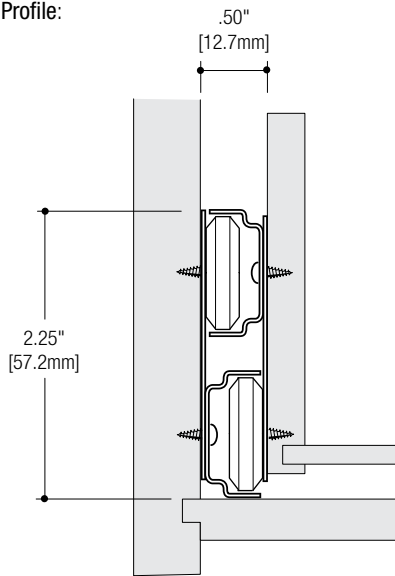
**Load Rating:** 60 lb. class

**Height:** 2.25" [57.2mm]

**Clearance:** .50" + .03" - 0" on each side


**Finish:** Zinc (ZC)

**Profile:**



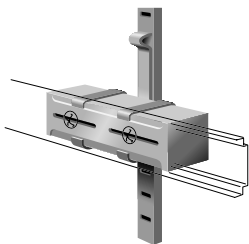
## Configurations

Quantity (Q)	50 pairs without screws; multiple cartons
<b>1275 Quantity (Q)</b>	
<b>Size</b>	<b>Quantity (Q)</b>
14"	1275Q 14
16"	1275Q 16
18"	1275Q 18
20"	1275Q 20
22"	1275Q 22

Recommended Fasteners		KV Part	Finish	Qty
	#7 x 3/32" Phillips Pan Head	1300-83	Zinc (ZC)	1000

Non-stock item – minimum order quantities and additional lead time may apply.

## Mounting Brackets



1303  
Vertically Adjustable  
Side-mounting Bracket

- Optional bracket used with pilaster strips (KV# 255, 233) mounted within the cabinet.
- Allows slide to be adjusted vertically when changes in drawer height are necessary.

Product	Pack
1303	100 per carton

# 1284 Epoxy-Coated Drawer Slide

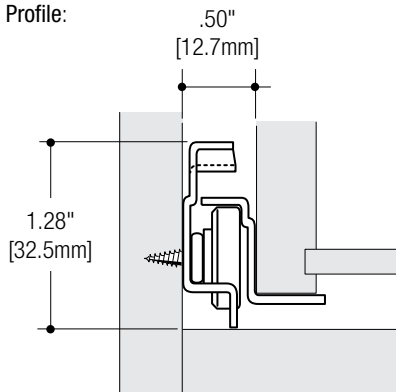


## Features

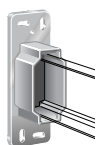
- Positive stop
- Stay close design
- Lift out disconnect
- Recommended maximum drawer width 18"

**Mounting:** Side  
**Action:** Ball-bearing rollers  
**Load Rating:** 75 lb. class  
**Height:** 1.28" [32.5mm]  
**Clearance:** .50" + .03" - 0" on each side  
**Finish:** Almond (ALM), Brown (BRN), White (WH)

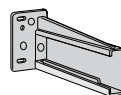
**Profile:**



## Mounting Brackets



1123 PLAS  
Plastic Rear  
Mounting Bracket



1284-4  
Plastic Rear  
Mounting Bracket

Product	Pack	Handed
1123 PLAS	500 per carton	—
1284LB-4R	500 brackets per carton	Right
1284LB-4L	500 brackets per carton	Left
1284-4R	200 brackets per carton	Right
1284-4L	200 brackets per carton	Left
1284-4WP	25 brackets per carton	Both

## Configurations

Bulk (B)	10 pairs per carton without screws
Poly (P)	1 pair per bag with screws; 10 pairs per carton
Quantity (Q)	50 pairs per carton without screws; multiple cartons

### 1284 Almond (ALM) Finish

Size	Bulk (B)	Poly (P)	Quantity (Q)
300mm	1284B ALM 300	1284P ALM 300	1284Q ALM 300
350mm	1284B ALM 350	1284P ALM 350	1284Q ALM 350
400mm	1284B ALM 400	1284P ALM 400	1284Q ALM 400
450mm	1284B ALM 450	1284P ALM 450	1284Q ALM 450
500mm	1284B ALM 500	1284P ALM 500	1284Q ALM 500
550mm	1284B ALM 550	1284P ALM 550	1284Q ALM 550
600mm	1284B ALM 600	1284P ALM 600	1284Q ALM 600
650mm	1284B ALM 650	1284P ALM 650	1284Q ALM 650

### 1284 Brown (BRN) Finish

300mm	—	—	1284Q BRN 300
350mm	—	—	1284Q BRN 350
400mm	—	—	1284Q BRN 400
450mm	—	—	1284Q BRN 450
500mm	—	—	1284Q BRN 500
550mm	—	—	1284Q BRN 550
600mm	—	—	1284Q BRN 600
650mm	—	—	1284Q BRN 650

### 1284 White (WH) Finish

300mm	1284B WH 300	1284P WH 300	1284Q WH 300
350mm	1284B WH 350	1284P WH 350	1284Q WH 350
400mm	1284B WH 400	1284P WH 400	1284Q WH 400
450mm	1284B WH 450	1284P WH 450	1284Q WH 450
500mm	1284B WH 500	1284P WH 500	1284Q WH 500
550mm	1284B WH 550	1284P WH 550	1284Q WH 550
600mm	1284B WH 600	1284P WH 600	1284Q WH 600
650mm	1284B WH 650	1284P WH 650	1284Q WH 650

Recommended Fasteners	KV Part	Finish	Qty	
	#6 x 7/16" Phillips Pan Head	1284-80	Zinc (ZC)	1000
	#6 x 5/8" Phillips Pan Head	8100-93 ZC	Zinc (ZC)	1000

☐ Non-stock item – minimum order quantities and additional lead time may apply.

# 1300, 1305, 1315, 1375 3/4 Extension Drawer Slides

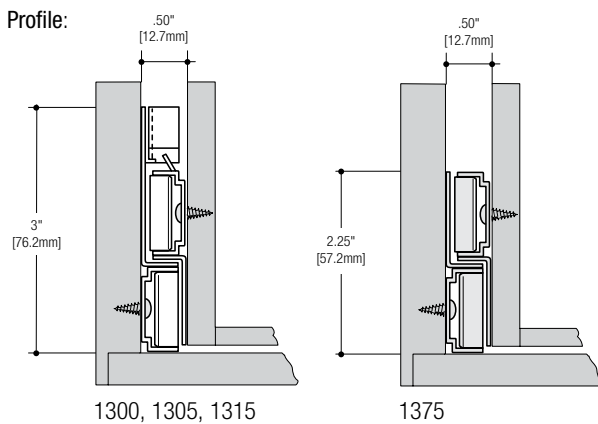


## Features

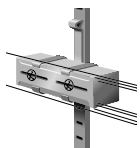
- Positive stop lever
- Stay close design
- Recommended maximum drawer width 18"

- 1300: 3/4 extension slide  
 1305: 3/4 extension slide  
 1315: 3/4 extension V-notch wraparound drawer slide  
 1375: 3/4 extension self-closing V-notch wraparound slide

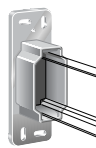
- Mounting:** Side  
**Action:** Ball-bearing rollers  
**Load Rating:** 1300, 1315, 1375: 75 lb. class  
 1305: 100 lb. class  
**Height:** 1300, 1305, 1315: 3" [76.2mm]  
 1375: 2.25" [57.2mm]  
**Clearance:** .50" + .03" - 0" on each side  
**Finish:** Almond (ALM), White (WH), Zinc (ZC)



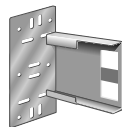
## Mounting Brackets



1303  
Vertically Adjustable  
Side-Mounting Bracket



1123 PLAS  
Plastic Rear  
Mounting Bracket



1304  
Metal Rear  
Mounting Bracket

Product	Pack
1303	100 per carton
1123 PLAS	500 per carton
1304	100 per carton

## Configurations

Bulk (B)	10 pairs per carton without screws	
Poly (P)	1 pair per bag with screws; 10 pairs per carton	
<b>1300 Almond (ALM) Finish</b>		
<b>Size</b>	<b>Bulk (B)</b>	<b>Poly (P)</b>
12"	1300B ALM 12	–
14"	1300B ALM 14	–
16"	1300B ALM 16	–
18"	1300B ALM 18	–
20"	1300B ALM 20	–
22"	1300B ALM 22	–
<b>1300 White (WH) Finish</b>		
14"	1300B WH 14	–
16"	1300B WH 16	–
18"	1300B WH 18	–
20"	1300B WH 20	–
22"	1300B WH 22	–
<b>1300 Zinc (ZC) Finish</b>		
12"	1300B ZC 12	1300P ZC 12
14"	1300B ZC 14	1300P ZC 14
16"	1300B ZC 16	1300P ZC 16
18"	1300B ZC 18	1300P ZC 18
20"	1300B ZC 20	1300P ZC 20
22"	1300B ZC 22	1300P ZC 22
24"	1300B ZC 24	1300P ZC 24
26"	1300B ZC 26	1300P ZC 26
28"	1300B ZC 28	1300P ZC 28
<b>1300 Combinations Zinc (ZC) Finish</b>		
<b>Size</b>	<b>Product</b>	
18 x 20"	1300BSW18002000	
20 x 22"	1300BSW20002200	
20 x 22-3/4"	1300BSW20002275	
<b>Special Order Slides Zinc (ZC) Finish</b>		
<b>Product</b>	<b>Bulk (B)</b>	
1305	Special Order	
1315	Special Order	
1375	Special Order	

Recommended Fasteners		KV Part	Finish	Qty
	#7 x 1/2" Phillips Pan Head	8500-93	Zinc (ZC)	1000
		8500-93 EB	Ebony Black (EB)	1000

☐ Non-stock item – minimum order quantities and additional lead time may apply.

# 1805 Epoxy-Coated Drawer Slide

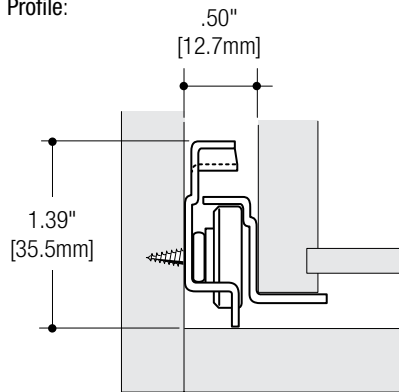


## Features

- 32mm mounting hole pattern
- Lift out disconnect
- Self-close design
- Recommended maximum drawer width 18"

**Mounting:** Side  
**Action:** Rollers  
**Load Rating:** 75 lb. class  
**Height:** 1.39" [35.5mm]  
**Clearance:** .50" + .03" - 0" on each side  
**Finish:** Almond (ALM), Cream White (CW), White (WH)

## Profile:



## Configurations

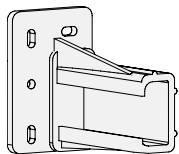
Hefty (H)	1 pair per bag with screws; 20 pairs per carton
Quantity (Q)	100 pairs per carton without screws; multiple cartons
Taped Pair (T)	1 pair taped together without screws; 20 pairs per carton

1805 Almond (ALM) Finish			
Size	Hefty (H)	Quantity (Q)	Taped Pair (T)
300mm	–	1805Q ALM 300	1805T ALM 300
350mm	–	1805Q ALM 350	1805T ALM 350
400mm	–	1805Q ALM 400	1805T ALM 400
450mm	–	1805Q ALM 450	1805T ALM 450
500mm	–	1805Q ALM 500	1805T ALM 500
550mm	–	1805Q ALM 550	1805T ALM 550
600mm	–	1805Q ALM 600	1805T ALM 600

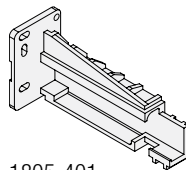
1805 Cream White (CW) Finish			
300mm	1805H CW 300	–	–
350mm	1805H CW 350	–	–
400mm	1805H CW 400	–	–
450mm	1805H CW 450	–	–
500mm	1805H CW 500	–	–
550mm	1805H CW 550	–	–
600mm	1805H CW 600	–	–

1805 White (WH) Finish			
300mm	1805H WH 300	1805Q WH 300	1805T WH 300
350mm	1805H WH 350	1805Q WH 350	1805T WH 350
400mm	1805H WH 400	1805Q WH 400	1805T WH 400
450mm	1805H WH 450	1805Q WH 450	1805T WH 450
500mm	1805H WH 500	1805Q WH 500	1805T WH 500
550mm	1805H WH 550	1805Q WH 550	1805T WH 550
600mm	1805H WH 600	1805Q WH 600	1805T WH 600

## Mounting Brackets




**1805-101**  
 Left and right  
 handed sockets  
 (2-3/8" socket)



**1805-401**  
 Left and right  
 handed sockets  
 (4" socket)

Product	Pack	Handed
1805-101L BP	50 per carton	Left
1805-101R BP	50 per carton	Right
1805-401L BP	50 per carton	Left
1805-401R BP	50 per carton	Right

Recommended Fasteners	KV Part	Finish	Qty
 #6 x 7/16" Phillips Flathead	1284-80	Zinc (ZC)	1000



# 8300 3/4 Extension Quick Disconnect Rail Box Drawer Slide

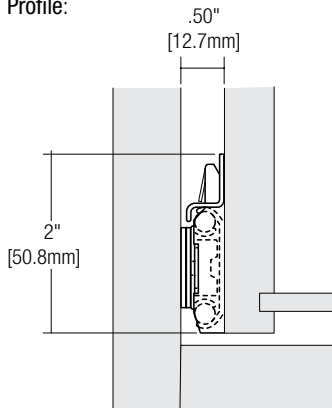


## Features

- 32mm mounting hole pattern
- Non-handed quick disconnect drawer members
- Recommended maximum drawer width 24"

**Mounting:** Side  
**Action:** Ball-bearing  
**Load Rating:** 75 lb. class  
**Height:** 2" [50.8mm] (includes quick disconnect rails)  
**Clearance:** .50" + .03" - 0" on each side  
**Finish:** Anochrome (ANO), Ebony Black (EB)

## Profile:



## Configurations



Poly (P)	1 pair per bag with screws; 10 pairs per carton	
Quantity (Q)	20 pairs per carton without screws; multiple cartons	
8300 Anochrome (ANO) Finish		
Size	Poly (P)	Quantity (Q)
12"	8300P 12	–
14"	8300P 14	8300Q 14
16"	8300P 16	8300Q 16
18"	8300P 18	8300Q 18
20"	8300P 20	8300Q 20
22"	8300P 22	8300Q 22
24"	8300P 24	8300Q 24
8300 Ebony Black (EB) Finish		
16"	–	8300Q EB 16
18"	–	8300Q EB 18
20"	–	8300Q EB 20
22"	–	8300Q EB 22

Recommended Fasteners		KV Part	Finish	Qty
	#7 x 1/2" Phillips Pan Head	8500-93	Zinc (ZC)	1000
		8500-93 EB	Ebony Black (EB)	1000

☐ Non-stock item – minimum order quantities and additional lead time may apply.

# 8350, 8355, 8357 3/4 Extension Drawer Slides

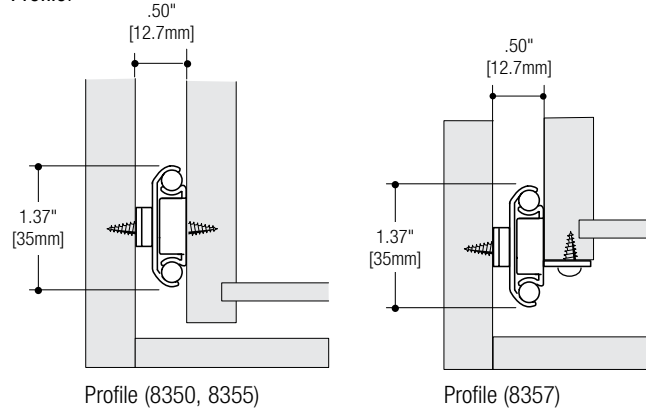


## Features

- 32mm mounting hole pattern
- Lever disconnect permits easy drawer removal
- Non-handed design
- Recommended maximum drawer width 24"

8350: 3/4 extension drawer slide  
 8355: Drawer slide with hold-open feature  
 8357: Drawer slide with shelf tabs and hold-open feature  
**Mounting:** Side  
**Action:** Ball-bearing movement  
**Load Rating:** 75 lb. class  
**Height:** 1.37" [35mm]  
**Clearance:** .50" + .03" - 0" on each side  
**Finish:** Anochrome (ANO), Ebony Black (EB)

### Profile:



## Configurations



Bulk (B)	10 pairs per carton without screws	
Quantity (Q)	50 pairs per carton without screws; multiple cartons	
<b>8350 Anochrome (ANO) Finish</b>		
<b>Size</b>	<b>Bulk (B)</b>	<b>Quantity (Q)</b>
12"	8350B 12	–
14"	8350B 14	–
16"	8350B 16	–
18"	8350B 18	–
20"	8350B 20	–
22"	8350B 22	–
24"	8350B 24	–
26"	8350B 26	–
28"	8350B 28	–
30"	8350B 30	–
<b>8350 Ebony Black (EB) Finish</b>		
12"	8350B EB 12	8350Q EB 12
14"	8350B EB 14	8350Q EB 14
16"	8350B EB 16	8350Q EB 16
18"	8350B EB 18	8350Q EB 18
20"	8350B EB 20	8350Q EB 20
22"	8350B EB 22	8350Q EB 22
24"	8350B EB 24	8350Q EB 24
26"	8350B EB 26	8350Q EB 26
28"	8350B EB 28	8350Q EB 28
30"	8350B EB 30	8350Q EB 30
<b>8355 Anochrome (ANO) Finish</b>		
12"	8355B 12	8355Q 12
14"	8355B 14	8355Q 14
16"	8355B 16	8355Q 16
18"	8355B 18	8355Q 18
20"	–	8355Q 20
<b>8355 Ebony Black (EB) Finish</b>		
12"	–	8355Q EB 12
14"	–	8355Q EB 14
16"	–	8355Q EB 16
18"	–	8355Q EB 18
20"	–	8355Q EB 20
<b>8357 Anochrome (ANO) Finish</b>		
14"	–	8357Q 14
16"	–	8357Q 16
18"	–	8357Q 18
20"	–	8357Q 20

Recommended Fasteners		KV Part	Finish	Qty
	#7 x 1/2" Phillips Pan Head	8500-93	Zinc (ZC)	1000

☐ Non-stock item – minimum order quantities and additional lead time may apply.

# 4400 Low Profile Full Extension Drawer Slide



## Features

- Lever release
- Hold-in detent
- Recommended maximum drawer width 24"

**Mounting:** Side

**Action:** Telescopic movement on ball-bearings

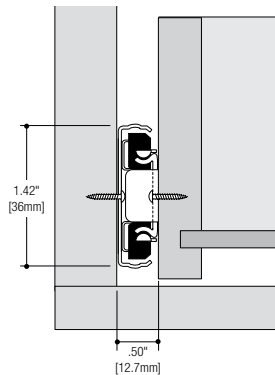
**Load Rating:** 65 lb. class

**Height:** 1.42" [36mm]

**Clearance:** .50" + .03" - 0" on each side

**Finish:** Zinc (ZC)

**Profile:**



## Configurations



Bulk (B)	10 pairs per carton without screws
<b>4400 Zinc (ZC) Finish</b>	
<b>Size</b>	<b>Bulk (B)</b>
10" (250mm)	4400B 10
12" (300mm)	4400B 12
14" (350mm)	4400B 14
16" (400mm)	4400B 16
18" (450mm)	4400B 18
20" (500mm)	4400B 20
22" (550mm)	4400B 22
24" (600mm)	4400B 24
26" (650mm)	4400B 26
28" (700mm)	4400B 28

<b>Recommended Fasteners</b>	
	#6 x 1/2" Truss Head

## Mounting Brackets



4101B  
Rear Mounting Bracket



4104B  
Front Face Frame Bracket

- Non-handed snap-on design

Product	Pack
4101B	20 per carton
4104B	20 per carton

# 4430 Low Profile Full Extension Push-to-Open Drawer Slide



## Features

- Lever release
- Push-to-open module
- Recommended maximum drawer width 24"

**Mounting:** Side

**Action:** Telescopic movement on ball-bearings

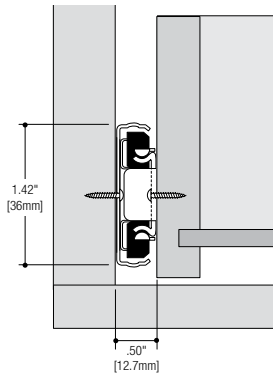
**Load Rating:** 65 lb. class

**Height:** 1.42" [36mm]

**Clearance:** .50" + .03" - 0" on each side

**Finish:** Zinc (ZC)

**Profile:**



## Configurations

Bulk (B)	10 pairs per carton without screws
<b>4430 Zinc (ZC) Finish</b>	
<b>Size</b>	<b>Bulk (B)</b>
10" (250mm)	4430B 10
12" (300mm)	4430B 12
14" (350mm)	4430B 14
16" (400mm)	4430B 16
18" (450mm)	4430B 18
20" (500mm)	4430B 20
22" (550mm)	4430B 22
24" (600mm)	4430B 24

## Recommended Fasteners



#6 x 1/2" Truss Head

## Mounting Brackets



4101B  
Rear Mounting Bracket



4104B  
Front Face Frame Bracket

- Non-handed snap-on design

Product	Pack
4101B	20 per carton
4104B	20 per carton

# 4450 Low Profile Full Extension Soft-Close Drawer Slide



## Features

- Lever release
- Soft-close module
- Recommended maximum drawer width 24"

**Mounting:** Side

**Action:** Soft-close

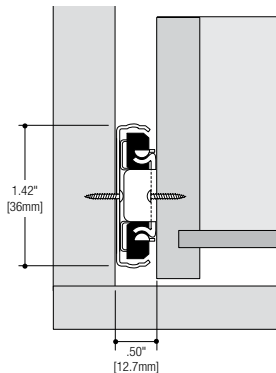
**Load Rating:** 65 lb. class

**Height:** 1.42" [36mm]

**Clearance:** .50" + .03" - 0" on each side

**Finish:** Zinc (ZC)

**Profile:**



## Configurations



Bulk (B)	10 pairs per carton without screws
<b>4450 Zinc (ZC) Finish</b>	
<b>Size</b>	<b>Bulk (B)</b>
10" (250mm)	4450B 10
12" (300mm)	4450B 12
14" (350mm)	4450B 14
16" (400mm)	4450B 16
18" (450mm)	4450B 18
20" (500mm)	4450B 20
22" (550mm)	4450B 22
24" (600mm)	4450B 24

<b>Recommended Fasteners</b>	
	#6 x 1/2" Truss Head

Less than Full Extension: 10" = 7.8" Extension

## Mounting Brackets



4101B  
Rear Mounting Bracket



4104B  
Front Face Frame Bracket

- Non-handed snap-on design

Product	Pack
4101B	20 per carton
4104B	20 per carton



# Medium-Duty Drawer Slides

8400 Series Overview . . . . . 21

8400 Full Extension Box or File Drawer Slide . . . . . 22

8405 Over Travel Box or File Drawer Slide . . . . . 24

8407 Full Extension Box or File Drawer Slide with Shelf Tabs . . . . . 25

8414 Full Extension Hold-Out Drawer Slide . . . . . 26

8417, 8419, 8400RV Self-Closing Drawer Slides . . . . . 27

8420 Full Extension Metal Cabinet and Drawer Slide . . . . . 28

8425 Over Travel Metal Cabinet and Drawer Slide . . . . . 29

8450FM, 8455FM Soft-Close Drawer Slides . . . . . 30

KV GSlide GS4200 Full Extension Drawer Slide . . . . . 31

KV GSlide GS4205 Over Travel Drawer Slide . . . . . 32

KV GSlide GS4260 Push-Open Drawer Slide . . . . . 33

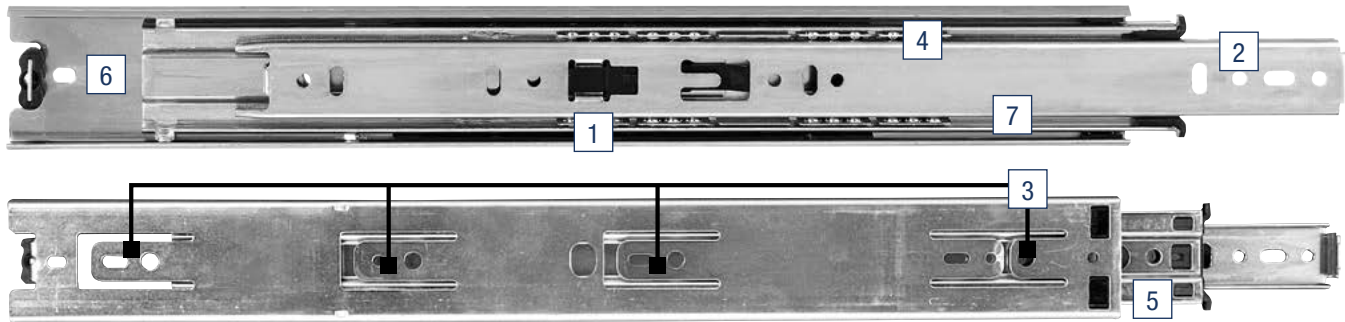
KV GSlide GS4270 Soft-Close Drawer Slide . . . . . 34

KV Tru-Trac TT100 Full Extension Ball-Bearing Drawer Slide . . . . . 35

KV DuriSlide 4500 Ball-Bearing Drawer Slide . . . . . 36

Model	Mounting Style	Load Class	Roller Bearing	Ball-Bearing	3/4 Extension	Full Extension	1" Over Travel	Disconnect Type			Open/Close Features						
								No Disconnect	Friction Release	Lever Release	Quick Disconnect	Hold In Anti-Rebound	Hold-Out / Open	Lock Open	Self-Close	Push-to-Open	Soft-Close
8400	Side	100	•	•	•	•	•			•		•					
8405	Side	100	•				•			•		•					
8407	Side	100	•	•	•	•				•		•					•
8414	Side	100	•	•						•		•	•				
8417	Side	100	•	•						•		•		•			
8419	Side	90	•			•				•		•		•			
8420	Side	100	•	•						•		•					
8425	Side	90	•			•				•		•					
8400RV	Side	100	•	•						•		•		•			
8450FM	Side	100	•	•						•		•		•		•	
8455FM	Side	90	•			•				•		•		•		•	
GS4200	Side	100	•	•						•		•					
GS4205	Side	90	•		•					•		•					
GS4260	Side	100	•	•						•				•			
GS4270	Side	100	•	•						•						•	
TT100	Side	100	•	•						•		•					
DUR4500	Side	100	•	•						•		•					

## 8400 Series Drawer Slides



1. Push-in button for drawer disconnect is ergonomically designed for easy drawer removal.
2. Traditional and 32mm hole pattern supports industry standards for safely fastening slide in place.
3. Reversed flex tabs allow improved slide performance with side clearance tolerance adjustments.
4. Rolled ball-bearing raceway allows lateral loads to be carried by ball-bearings and not transferred to bushings sliding on metal.
5. Mounting hole is provided for face frame applications to eliminate the need for a separate bracket.
6. Access holes allow for drawer adjustments at full extension without removing drawer.
7. Lacquer finish provides superior corrosion resistance.

### Self-Close Series Drawer Slides



Self-close slides use spring technology to close a drawer.

#### Models and Descriptions:

8417: Self-closing full extension

8419: Self-closing over travel drawer slide

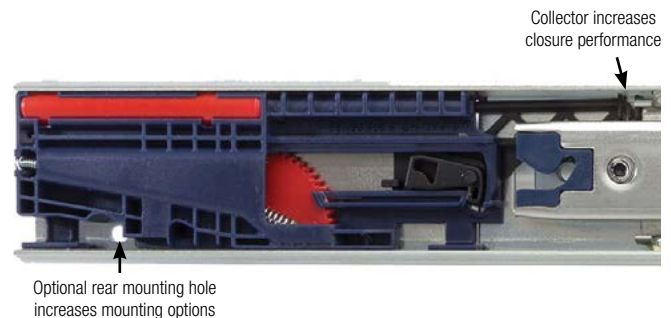
8400RV: Heavy-duty self-closing full extension drawer slide

#### Features and Benefits:

- Self-close feature assist with the closing of a drawer and is fully integrated into the slide
- RV version has stronger springs to ensure closure in mobile applications

### 8450FM Soft-Close Drawer Slide

The new KV8450FM Series is a step forward in side-mounted ball-bearing drawer slides. The KV8450FM series incorporates state-of-the-art soft-close technology. The fully integrated soft-close module brings drawer box to a smooth, quiet and secure closure.



#### 8450FM Series Features and Benefits

- Patented KV design incorporates dampening cylinder with balanced spring technology
- Soft-close module is fully integrated into an KV8400 style slide with same side clearance allowing cabinet makers to migrate directly to KV8450FM series products with no set up changes
- Exceeds KCMA, BHMA and BIFMA standards of performance: over 50,000 cycles including the soft-close module

# 8400 Full Extension Box or File Drawer Slide



## Features

- 32mm hole pattern with direct access mounting
- Lever disconnect for easy drawer removal
- Non-handed design
- Recommended maximum drawer width 24"

**Mounting:** Side

**Action:** Telescopic movement on ball-bearings

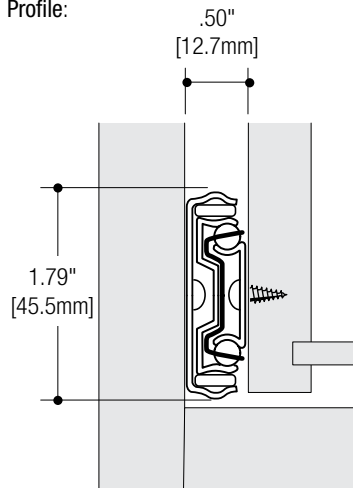
**Load Rating:** 100 lb. class

**Height:** 1.79" [45.5mm]

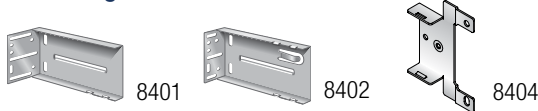
**Clearance:** .50" + .03" - 0" on each side

**Finish:** Anochrome (ANO), Ebony Black (EB), White (WH)

**Profile:**



## Mounting Brackets



Product	Front or Rear	Finish	Pack
8401	Rear	Zinc (ZC)	20 brackets/carton
8402	Rear	Zinc (ZC)	20 brackets/carton
8402BBL	Rear	Zinc (ZC)	400 brackets/carton
8402WP	Rear	Zinc (ZC)	20 brackets/warehouse pack
8404	Front	Zinc (ZC)	20 brackets/carton
8404B	Front	Zinc (ZC)	400 brackets/carton
8404 EB	Front	Ebony Black (EB)	20 brackets/carton
8404BBL	Front	Zinc (ZC)	400 brackets/carton
8404B KIT	Both	Zinc (ZC)	2 [8403] + 2 [8404] + screws

## Configurations



Bulk (B)	10 pairs per carton without screws		
Poly (P)	1 pair per bag with screws; 10 pairs per carton		
Quantity (Q)	50 pairs without screws; multiple cartons		
<b>8400 Anochrome (ANO) Finish</b>			
Size	Bulk (B)	Poly (P)	Quantity (Q)
6"	8400B 6	–	–
8"	8400B 8	8400P 8	8400Q 8
10"	8400B 10	8400P 10	8400Q 10
12"	8400B 12	8400P 12	8400Q 12
14"	8400B 14	8400P 14	8400Q 14
16"	8400B 16	8400P 16	8400Q 16
18"	8400B 18	8400P 18	8400Q 18
20"	8400B 20	8400P 20	8400Q 20
22"	8400B 22	8400P 22	8400Q 22
24"	8400B 24	8400P 24	8400Q 24
26"	8400B 26	8400P 26	8400Q 26
28"	8400B 28	8400P 28	8400Q 28
<b>8400 Ebony Black (EB) Finish</b>			
8"	8400B EB 8	8400P EB 8	8400Q EB 8
10"	8400B EB 10	8400P EB 10	8400Q EB 10
12"	8400B EB 12	8400P EB 12	8400Q EB 12
14"	8400B EB 14	8400P EB 14	8400Q EB 14
16"	8400B EB 16	8400P EB 16	8400Q EB 16
18"	8400B EB 18	8400P EB 18	8400Q EB 18
20"	8400B EB 20	8400P EB 20	8400Q EB 20
22"	8400B EB 22	8400P EB 22	8400Q EB 22
24"	8400B EB 24	8400P EB 24	8400Q EB 24
26"	8400B EB 26	8400P EB 26	8400Q EB 26
28"	8400B EB 28	8400P EB 28	8400Q EB 28
<b>8400 White (WH) Finish</b>			
8"	8400B WH 8	8400P WH 8	–
10"	8400B WH 10	8400P WH 10	–
12"	8400B WH 12	8400P WH 12	–
14"	8400B WH 14	8400P WH 14	–
16"	8400B WH 16	8400P WH 16	–
18"	8400B WH 18	8400P WH 18	–
20"	8400B WH 20	8400P WH 20	–
22"	8400B WH 22	8400P WH 22	–
24"	8400B WH 24	8400P WH 24	–
26"	8400B WH 26	8400P WH 26	–
28"	8400B WH 28	8400P WH 28	–

Recommended Fasteners		KV Part	Finish	Qty
	#7 x 1/2" Phillips Pan Head	8500-93	Zinc (ZC)	1000
		8500-93 EB	Ebony Black (EB)	1000
		8500-93 WH	White (WH)	50

☐ Non-stock item – minimum order quantities and additional lead time may apply.



# 8405 Over Travel Box or File Drawer Slide



## Features

- 1" over travel for full access to drawer contents
- Lever disconnect for easy drawer removal
- Non-handed design
- Recommended maximum drawer width 24"

**Mounting:** Side

**Action:** Telescopic action on ball-bearings

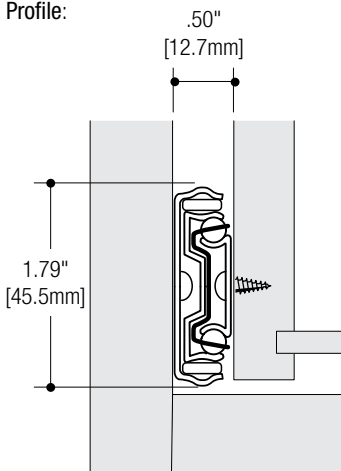
**Load Rating:** 100 lb. class

**Height:** 1.79" [45.5mm]

**Clearance:** .50" + .03" - 0" on each side

**Finish:** Anochrome (ANO), Ebony Black (EB)

**Profile:**



## Mounting Brackets



Product	Front or Rear	Finish	Pack
8401	Rear	Zinc (ZC)	20 brackets/carton
8402	Rear	Zinc (ZC)	20 brackets/carton
8402BBL	Rear	Zinc (ZC)	400 brackets/carton
8402WP	Rear	Zinc (ZC)	20 brackets/warehouse pack
8404	Front	Zinc (ZC)	20 brackets/carton
8404B	Front	Zinc (ZC)	400 brackets/carton
8404 EB	Front	Ebony Black (EB)	20 brackets/carton
8404BBL	Front	Zinc (ZC)	400 brackets/carton
8404B KIT	Both	Zinc (ZC)	2 [8403] + 2 [8404] + screws


## Configurations



Bulk (B)	10 pairs per carton without screws
Poly (P)	1 pair per bag with screws; 10 pairs per carton
Quantity (Q)	50 pairs without screws; multiple cartons

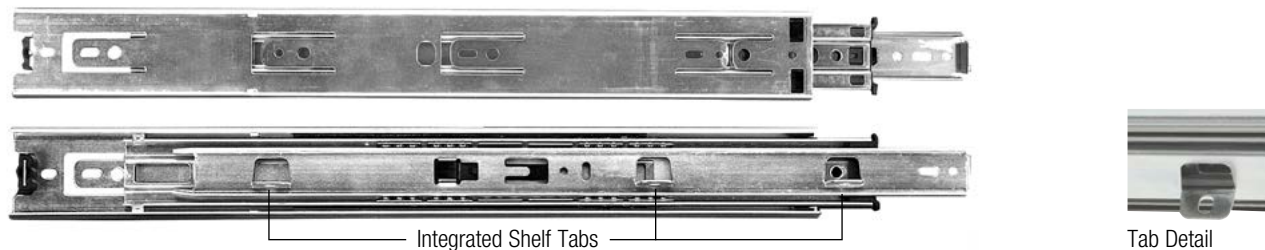
8405 Anochrome (ANO) Finish			
Size	Bulk (B)	Poly (P)	Quantity (Q)
10"	8405B 10	8405P 10	8405Q 10
12"	8405B 12	8405P 12	8405Q 12
14"	8405B 14	8405P 14	8405Q 14
16"	8405B 16	8405P 16	8405Q 16
18"	8405B 18	8405P 18	8405Q 18
20"	8405B 20	8405P 20	8405Q 20
22"	8405B 22	8405P 22	8405Q 22
24"	8405B 24	8405P 24	8405Q 24
26"	8405B 26	8405P 26	8405Q 26
28"	8405B 28	8405P 28	8405Q 28

8405 Ebony Black (EB) Finish			
10"	8405B EB 10	8405P EB 10	8405Q EB 10
12"	8405B EB 12	8405P EB 12	8405Q EB 12
14"	8405B EB 14	8405P EB 14	8405Q EB 14
16"	8405B EB 16	8405P EB 16	8405Q EB 16
18"	8405B EB 18	8405P EB 18	8405Q EB 18
20"	8405B EB 20	8405P EB 20	8405Q EB 20
22"	8405B EB 22	8405P EB 22	8405Q EB 22
24"	8405B EB 24	8405P EB 24	8405Q EB 24
26"	8405B EB 26	8405P EB 26	8405Q EB 26
28"	8405B EB 28	8405P EB 28	8405Q EB 28

Recommended Fasteners	KV Part	Finish	Qty
	#7 x 1/2" Phillips Pan Head	Zinc (ZC)	1000
		Ebony Black (EB)	1000

☐ Non-stock item – minimum order quantities and additional lead time may apply.

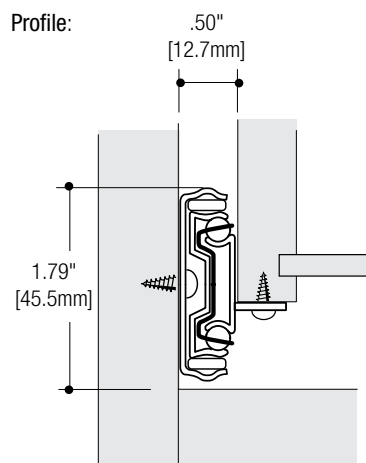
# 8407 Full Extension Box or File Drawer Slide with Shelf Tabs



## Features

- 32mm hole pattern with direct access mounting
- Lever disconnect for easy drawer removal
- Integrated shelf tabs
- Recommended maximum drawer width 24"

**Mounting:** Side  
**Action:** Telescopic movement on ball-bearings  
**Load Rating:** 100 lb. class  
**Height:** 1.79" [45.5mm]  
**Clearance:** .50" + .03" - 0" on each side  
**Finish:** Anochrome (ANO), Ebony Black (EB)



## Configurations

Bulk (B)	10 pairs per carton without screws
Poly (P)	1 pair per bag with screws; 10 pairs per carton
Quantity (Q)	50 pairs without screws; multiple cartons

8407 Anochrome (ANO) Finish			
Size	Bulk (B)	Poly (P)	Quantity (Q)
10"	8407B 10	8407P 10	8407Q 10
12"	8407B 12	8407P 12	8407Q 12
14"	8407B 14	8407P 14	8407Q 14
16"	8407B 16	8407P 16	8407Q 16
18"	8407B 18	8407P 18	8407Q 18
20"	8407B 20	8407P 20	8407Q 20
22"	8407B 22	8407P 22	8407Q 22
24"	8407B 24	8407P 24	8407Q 24
26"	8407B 26	8407P 26	8407Q 26
28"	8407B 28	8407P 28	8407Q 28

8407 Ebony Black (EB) Finish			
14"	8407B EB 14	–	–
16"	8407B EB 16	–	–
18"	8407B EB 18	–	–
20"	8407B EB 20	–	–
22"	8407B EB 22	–	–
24"	8407B EB 24	–	–

Recommended Fasteners		KV Part	Finish	Qty
	#7 x 1/2" Phillips Pan Head	8500-93	Zinc (ZC)	1000
		8500-93 EB	Ebony Black (EB)	1000

Non-stock item – minimum order quantities and additional lead time may apply.

## Mounting Brackets



Product	Front or Rear	Finish	Pack
8401	Rear	Zinc (ZC)	20 brackets/carton
8402	Rear	Zinc (ZC)	20 brackets/carton
8402BBL	Rear	Zinc (ZC)	400 brackets/carton
8402WP	Rear	Zinc (ZC)	20 brackets/warehouse pack
8404	Front	Zinc (ZC)	20 brackets/carton
8404B	Front	Zinc (ZC)	400 brackets/carton
8404 EB	Front	Ebony Black (EB)	20 brackets/carton
8404BBL	Front	Zinc (ZC)	400 brackets/carton
8404B KIT	Both	Zinc (ZC)	2 [8403] + 2 [8404] + screws

# 8414 Full Extension Hold-Out Precision Drawer Slide



## Features

- 32mm hole pattern with direct access mounting
- Lever disconnect for easy drawer removal
- Hold-out feature holds slide in place when drawer is open
- Recommended maximum drawer width 24"

**Mounting:** Side

**Action:** Telescopic movement on ball-bearings

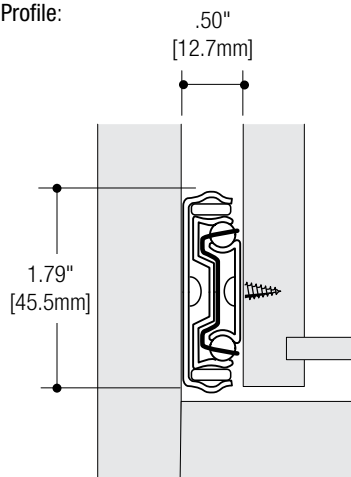
**Load Rating:** 100 lb. class

**Height:** 1.79" [45.5mm]

**Clearance:** .50" + .03" - 0" on each side

**Finish:** Anochrome (ANO), Ebony Black (EB)

**Profile:**



## Configurations



Bulk (B)	10 pairs per carton without screws
Poly (P)	1 pair per bag with screws; 10 pairs per carton
Quantity (Q)	50 pairs without screws; multiple cartons

### 8414 Anochrome (ANO) Finish

Size	Bulk (B)	Poly (P)	Quantity (Q)
10"	8414B 10	–	–
12"	8414B 12	8414P 12	8414Q 12
14"	8414B 14	8414P 14	8414Q 14
16"	8414B 16	8414P 16	8414Q 16
18"	8414B 18	8414P 18	8414Q 18
20"	8414B 20	8414P 20	8414Q 20
22"	8414B 22	8414P 22	8414Q 22
24"	8414B 24	8414P 24	8414Q 24

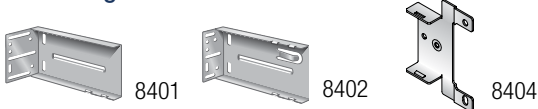
### 8414 Ebony Black (EB) Finish

12"	–	–	8414Q EB 12
14"	–	–	8414Q EB 14
16"	–	–	8414Q EB 16
18"	–	–	8414Q EB 18
20"	–	–	8414Q EB 20
22"	–	–	8414Q EB 22
24"	–	–	8414Q EB 24

Recommended Fasteners		KV Part	Finish	Qty
	#7 x 1/2" Phillips Pan Head	8500-93	Zinc (ZC)	1000
		8500-93 EB	Ebony Black (EB)	1000

☐ Non-stock item – minimum order quantities and additional lead time may apply.

## Mounting Brackets



Product	Front or Rear	Finish	Pack
8401	Rear	Zinc (ZC)	20 brackets/carton
8402	Rear	Zinc (ZC)	20 brackets/carton
8402BBL	Rear	Zinc (ZC)	400 brackets/carton
8402WP	Rear	Zinc (ZC)	20 brackets/warehouse pack
8404	Front	Zinc (ZC)	20 brackets/carton
8404B	Front	Zinc (ZC)	400 brackets/carton
8404 EB	Front	Ebony Black (EB)	20 brackets/carton
8404BBL	Front	Zinc (ZC)	400 brackets/carton
8404B KIT	Both	Zinc (ZC)	2 [8403] + 2 [8404] + screws

# 8417, 8419, 8400RV Self-Closing Drawer Slides

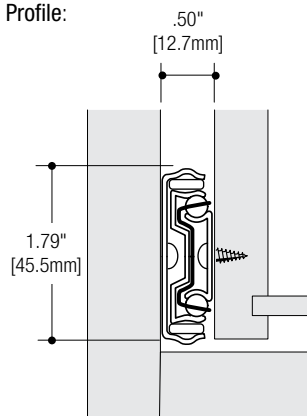


## Features

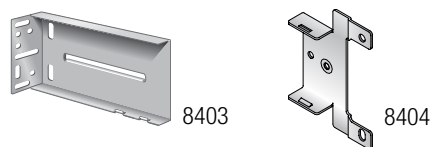
- 32mm hole pattern with direct access mounting
- Self-closing feature
- 8400RV features a stronger spring for mobile applications
- Recommended maximum drawer width 24"

**8417:** Self-closing full extension drawer slide  
**8419:** Self-closing 1" over travel drawer slide  
**8400RV:** Heavy-Duty self-closing full extension drawer slide  
**Mounting:** Side  
**Action:** Telescopic movement on ball-bearings  
**Load Rating:** 100 lb. class (8417/8400RV); 90 lb. class (8419)  
**Height:** 1.79" [45.5mm]  
**Clearance:** .50" + .03" - 0" on each side  
**Finish:** Anochrome (ANO), Ebony Black (EB), White (WH)

## Profile:



## Mounting Brackets



Product	Front or Rear	Finish	Pack
8403	Rear	Zinc (ZC)	20 brackets/carton
8403BBL	Rear	Zinc (ZC)	400 brackets/carton
8404	Front	Zinc (ZC)	20 brackets/carton
8404B	Front	Zinc (ZC)	400 brackets/carton
8404 EB	Front	Ebony Black (EB)	20 brackets/carton
8404BBL	Front	Zinc (ZC)	400 brackets/carton
8404B KIT	Both	Zinc (ZC)	2 [8403] + 2 [8404] + screws

## Configurations



Bulk (B)	10 pairs per carton without screws	
Poly (P)	1 pair per bag with screws; 10 pairs per carton	
<b>8417 Anochrome (ANO) Finish</b>		
<b>Size</b>	<b>Bulk (B)</b>	<b>Poly (P)</b>
12"	8417B 12	8417P 12
14"	8417B 14	8417P 14
16"	8417B 16	8417P 16
18"	8417B 18	8417P 18
20"	8417B 20	8417P 20
22"	8417B 22	8417P 22
24"	8417B 24	8417P 24
26"	8417B 26	8417P 26
<b>8417 Ebony Black (EB) Finish</b>		
12"	8417B EB 12	–
14"	8417B EB 14	–
16"	8417B EB 16	–
18"	8417B EB 18	–
20"	8417B EB 20	–
22"	8417B EB 22	–
24"	8417B EB 24	–
26"	8417B EB 26	–
<b>8417 White (WH) Finish</b>		
12"	8417B WH 12	–
14"	8417B WH 14	–
16"	8417B WH 16	–
18"	8417B WH 18	–
20"	8417B WH 20	–
22"	8417B WH 22	–
24"	8417B WH 24	–
26"	8417B WH 26	–
<b>8419 Anochrome (ANO) Finish</b>		
14"	8419B 14	8419P 14
16"	8419B 16	8419P 16
18"	8419B 18	8419P 18
20"	8419B 20	8419P 20
22"	8419B 22	8419P 22
24"	8419B 24	8419P 24
26"	8419B 26	8419P 26
<b>8419 Ebony Black (EB) Finish</b>		
14"	8419B EB 14	8419P EB 14
16"	8419B EB 16	8419P EB 16
18"	8419B EB 18	8419P EB 18
20"	8419B EB 20	8419P EB 20
22"	8419B EB 22	8419P EB 22
24"	8419B EB 24	8419P EB 24
26"	8419B EB 26	8419P EB 26
<b>8400RV Anochrome (ANO) Finish</b>		
10"	8400BRV 10	–
12"	8400BRV 12	–
14"	8400BRV 14	–
16"	8400BRV 16	–
18"	8400BRV 18	–
20"	8400BRV 20	–
22"	8400BRV 22	–
24"	8400BRV 24	–
26"	8400BRV 26	–
28"	8400BRV 28	–

■ Non-stock item – minimum order quantities and additional lead time may apply.

# 8420 Full Extension Metal Cabinet and Drawer Slide



## Features

- Bayonet and Belt Loop Mount
- Lever disconnect for easy drawer removal
- Recommended maximum drawer width 24"

**Mounting:** Side (Bayonet and Belt Loop)

**Action:** Telescopic action on ball-bearings

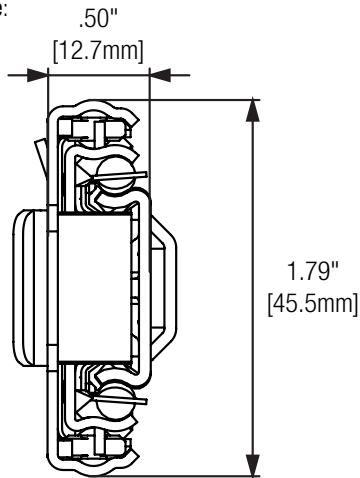
**Load Rating:** 100 lb. class

**Height:** 1.79" [45.5mm]

**Clearance:** .50" + .03" - 0" on each side

**Finish:** Anochrome (ANO), Ebony Black (EB)

**Profile:**



## Configurations

Quantity (Q)	20 pairs without screws; multiple cartons
<b>8420 Anochrome (ANO) Finish</b>	
<b>Size</b>	<b>Quantity (Q)</b>
14"	8420Q 14
16"	8420Q 16
18"	8420Q 18
20"	8420Q 20
22"	8420Q 22
24"	8420Q 24
26"	8420Q 26
28"	8420Q 28
<b>8420 Ebony Black (EB) Finish</b>	
14"	8420Q EB 14
16"	8420Q EB 16
18"	8420Q EB 18
20"	8420Q EB 20
22"	8420Q EB 22
24"	8420Q EB 24
26"	8420Q EB 26
28"	8420Q EB 28

☐ Non-stock item – minimum order quantities and additional lead time may apply.

## 8425 Over Travel Metal Cabinet and Drawer Slide



### Features

- Bayonet and Belt Loop Mount
- Lever disconnect for easy drawer removal
- Recommended maximum drawer width 24"

**Mounting:** Side (Bayonet and Belt Loop)

**Action:** Telescopic action on ball-bearings

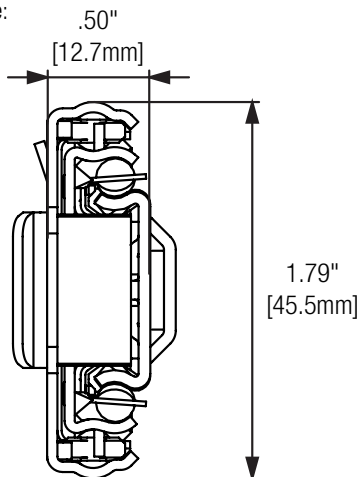
**Load Rating:** 90 lb. class

**Height:** 1.79" [45.5mm]

**Clearance:** .50" + .03" - 0" on each side

**Finish:** Anochrome (ANO), Ebony Black (EB)

**Profile:**



### Configurations

Quantity (Q)	20 pairs without screws; multiple cartons
<b>8425 Anochrome (ANO) Finish</b>	
Size	Quantity (Q)
14"	8425Q 14
16"	8425Q 16
18"	8425Q 18
20"	8425Q 20
22"	8425Q 22
24"	8425Q 24
26"	8425Q 26
28"	8425Q 28
<b>8425 Ebony Black (EB) Finish</b>	
14"	8425Q EB 14
16"	8425Q EB 16
18"	8425Q EB 18
20"	8425Q EB 20
22"	8425Q EB 22
24"	8425Q EB 24
26"	8425Q EB 26
28"	8425Q EB 28

☐ Non-stock item – minimum order quantities and additional lead time may apply.

# 8450FM, 8455FM Soft-Close Drawer Slide



## Features

- Patented Force Management™ (FM) soft-close technology
- 32mm hole pattern with direct access mounting
- Lever disconnect for easy drawer removal
- Non-handed design
- Recommended maximum drawer width 24"

**8450FM:** Full extension

**8455FM:** 1" Over travel

**Action:** Telescopic movement on ball-bearings

**Load Rating:** 8450FM: 100 lb. class

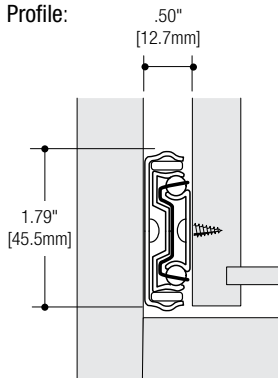
8455FM: 90 lb. class

**Height:** 1.79" [45.5mm]

**Clearance:** .50" + .03" - 0" on each side

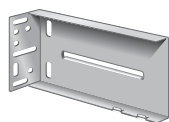
**Finish:** Anochrome (ANO), Ebony Black (EB)

**Profile:**

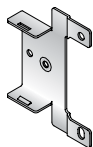


Soft-Close Mechanism

## Mounting Brackets



8403



8404

Product	Front or Rear	Finish	Pack
8403	Rear	Zinc (ZC)	20 brackets/carton
8403BBL	Rear	Zinc (ZC)	400 brackets/carton
8404	Front	Zinc (ZC)	20 brackets/carton
8404B	Front	Zinc (ZC)	400 brackets/carton
8404 EB	Front	Ebony Black (EB)	20 brackets/carton
8404BBL	Front	Zinc (ZC)	400 brackets/carton
8404B KIT	Both	Zinc (ZC)	2 [8403] + 2 [8404] + screws

## Configurations



Bulk (B)	10 pairs per carton without screws	
Poly (P)	1 pair per bag with screws; 10 pairs per carton	
<b>8450FM Anochrome (ANO) Finish</b>		
<b>Size</b>	<b>Bulk (B)</b>	<b>Poly (P)</b>
12"	8450FMB 12	8450FMP 12
14"	8450FMB 14	8450FMP 14
16"	8450FMB 16	8450FMP 16
18"	8450FMB 18	8450FMP 18
20"	8450FMB 20	8450FMP 20
22"	8450FMB 22	8450FMP 22
24"	8450FMB 24	8450FMP 24
26"	8450FMB 26	8450FMP 26
28"	8450FMB 28	8450FMP 28
<b>8450FM Ebony Black (EB) Finish</b>		
12"	8450FMB EB 12	—
14"	8450FMB EB 14	—
16"	8450FMB EB 16	—
18"	8450FMB EB 18	—
20"	8450FMB EB 20	—
22"	8450FMB EB 22	—
24"	8450FMB EB 24	—
26"	8450FMB EB 26	—
28"	8450FMB EB 28	—
<b>8455FM Anochrome (ANO) Finish</b>		
16"	8455FMB 16	8455FMP 16
18"	8455FMB 18	8455FMP 18
20"	8455FMB 20	8455FMP 20
22"	8455FMB 22	8455FMP 22
24"	8455FMB 24	8455FMP 24
26"	8455FMB 26	8455FMP 26
28"	8455FMB 28	8455FMP 28
<b>8455FM Ebony Black (EB) Finish</b>		
16"	8455FMB EB 16	—
18"	8455FMB EB 18	—
20"	8455FMB EB 20	—
22"	8455FMB EB 22	—
24"	8455FMB EB 24	—
26"	8455FMB EB 26	—
28"	8455FMB EB 28	—

Recommended Fasteners		KV Part	Finish	Qty
	#7 x 1/2" Phillips Pan Head	8500-93	Zinc (ZC)	1000
		8500-93 EB	Ebony Black (EB)	1000

Less than Full Extension: 12" = 10.2" Extension

□ Non-stock item – minimum order quantities and additional lead time may apply.

# KV GSlide® GS4200 Full Extension Drawer Slide



## Features

- 32mm hole pattern
- Lever disconnect for easy drawer removal
- Hold-in detent
- Non-handed design
- Recommended maximum drawer width 24"

**Mounting:** Side

**Action:** Telescopic movement on ball-bearings

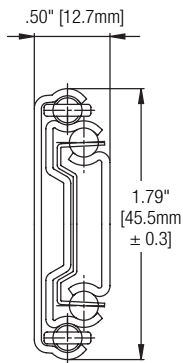
**Load Rating:** 100 lb. class

**Height:** 1.79" [45.5mm]

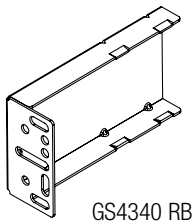
**Clearance:** .50" + .03" - 0" on each side

**Finish:** Zinc (ZC), Black (EB)

**Profile:**




## Mounting Brackets



Product	Front or Rear	Finish	Pack
GS4340 RB	Rear	Zinc (ZC)	200

## Configurations

Bulk (B)	10 Pair and 1 set of instructions per box without screws
<b>GS4200 Zinc (ZC) Finish</b>	
Size	Bulk (B)
250mm	GS4200 10
300mm	GS4200 12
350mm	GS4200 14
400mm	GS4200 16
450mm	GS4200 18
500mm	GS4200 20
550mm	GS4200 22
600mm	GS4200 24
650mm	GS4200 26
700mm	GS4200 28
<b>GS4200 Black (EB) Finish</b>	
250mm	GS4200 EB 10
300mm	GS4200 EB 12
350mm	GS4200 EB 14
400mm	GS4200 EB 16
450mm	GS4200 EB 18
500mm	GS4200 EB 20
550mm	GS4200 EB 22
600mm	GS4200 EB 24
650mm	GS4200 EB 26
700mm	GS4200 EB 28

Recommended Fasteners	KV Part	Finish	Qty
 #7 x 1/2" Phillips Pan Head	8500-93	Zinc (ZC)	1000
	8500-93 EB	Ebony Black (EB)	1000



## KV GSlide® GS4205 Over Travel Drawer Slide



### Features

- 1" over travel for full access to drawer contents
- 32mm hole pattern
- Lever disconnect for easy drawer removal
- Hold-in detent
- Non-handed design
- Recommended maximum drawer width 24"

**Mounting:** Side

**Action:** Telescopic movement on ball-bearings

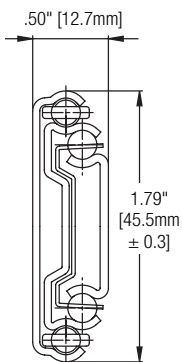
**Load Rating:** 90 lb. class

**Height:** 1.79" [45.5mm]

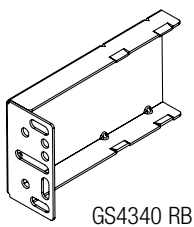
**Clearance:** .50" + .03" - 0" on each side

**Finish:** Zinc (ZC), Black (EB)

**Profile:**




### Mounting Brackets



Product	Front or Rear	Finish	Pack
GS4340 RB	Rear	Zinc (ZC)	200

### Configurations

Bulk (B)	10 Pair and 1 set of instructions per box without screws
<b>GS4205 Zinc (ZC) Finish</b>	
Size	Bulk (B)
250mm	GS4205 10
300mm	GS4205 12
350mm	GS4205 14
400mm	GS4205 16
450mm	GS4205 18
500mm	GS4205 20
550mm	GS4205 22
600mm	GS4205 24
650mm	GS4205 26
700mm	GS4205 28
<b>GS4205 Black (EB) Finish</b>	
250mm	GS4205 EB 10
300mm	GS4205 EB 12
350mm	GS4205 EB 14
400mm	GS4205 EB 16
450mm	GS4205 EB 18
500mm	GS4205 EB 20
550mm	GS4205 EB 22
600mm	GS4205 EB 24
650mm	GS4205 EB 26
700mm	GS4205 EB 28

Recommended Fasteners	KV Part	Finish	Qty
	#7 x 1/2" Phillips Pan Head	Zinc (ZC)	1000
		Ebony Black (EB)	1000

# KV GSlide® GS4260 Push-Open Drawer Slide



## Features

- Push-open feature holds a drawer or tray in the closed position until activated by a slight push
- 32mm hole pattern
- Lever disconnect for easy drawer removal
- Non-handed design
- Recommended maximum drawer width 24"

**Mounting:** Side

**Action:** Telescopic movement on ball-bearings

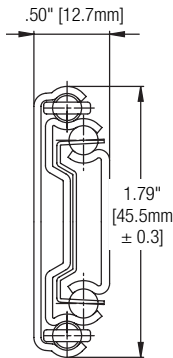
**Load Rating:** 100 lb. class

**Height:** 1.79" [45.5mm]

**Clearance:** .50" + .03" - 0" on each side


**Finish:** Zinc (ZC)

**Profile:**

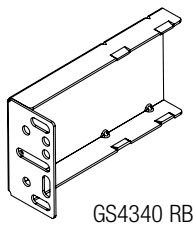


## Configurations

Bulk (B)	10 Pair and 1 set of instructions per box without screws
<b>GS4260 Zinc (ZC) Finish</b>	
<b>Size</b>	<b>Bulk (B)</b>
250mm	GS4260 10
300mm	GS4260 12
350mm	GS4260 14
400mm	GS4260 16
450mm	GS4260 18
500mm	GS4260 20
550mm	GS4260 22
600mm	GS4260 24
650mm	GS4260 26
700mm	GS4260 28

Recommended Fasteners	KV Part	Finish	Qty
 #7 x 1/2" Phillips Pan Head	8500-93	Zinc (ZC)	1000

## Mounting Brackets



Product	Front or Rear	Finish	Pack
GS4340 RB	Rear	Zinc (ZC)	200

# KV GSlide® GS4270 Soft-Close Drawer Slide



## Features

- Soft-close module
- 32mm hole pattern
- Lever disconnect for easy drawer removal
- Non-handed design
- Recommended maximum drawer width 24"

**Mounting:** Side

**Action:** Telescopic movement on ball-bearings

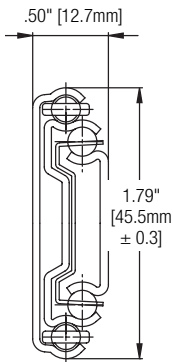
**Load Rating:** 100 lb. class

**Height:** 1.79" [45.5mm]

**Clearance:** .50" + .03" - 0" on each side


**Finish:** Zinc (ZC)

**Profile:**



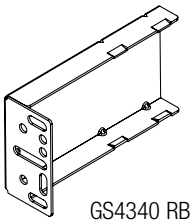
## Configurations

Bulk (B)	10 Pair and 1 set of instructions per box without screws
<b>GS4270 Zinc (ZC) Finish</b>	
<b>Size</b>	<b>Bulk (B)</b>
300mm	GS4270 12
350mm	GS4270 14
400mm	GS4270 16
450mm	GS4270 18
500mm	GS4270 20
550mm	GS4270 22
600mm	GS4270 24
650mm	GS4270 26
700mm	GS4270 28

Recommended Fasteners		KV Part	Finish	Qty
	#7 x 1/2" Phillips Pan Head	8500-93	Zinc (ZC)	1000

Less than Full Extension: 12" = 8.4" Extension; 14" = 11.9" Extension

## Mounting Brackets



GS4340 RB

Product	Front or Rear	Finish	Pack
GS4340 RB	Rear	Zinc (ZC)	200

# KV Tru-Trac® TT100 Full Extension Ball-Bearing Drawer Slide



## Features

- For face framed and frameless construction
- 32mm and traditional hole pattern
- Lever disconnect for easy drawer removal
- Non-handed design
- Recommended maximum drawer width 24"

**Mounting:** Side

**Action:** Telescopic movement on ball-bearings

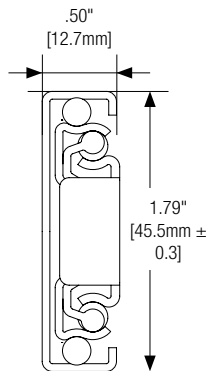
**Load Rating:** 100 lb. class

**Height:** 1.79" [45.5mm]

**Clearance:** .50" + .03" - 0" on each side


**Finish:** Zinc (ZC)

**Profile:**

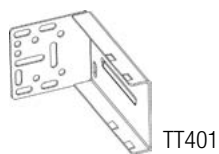


## Configurations

Bulk (B)	10 pairs per carton without screws
TT100 Zinc (ZC) Finish	
Size	Bulk (B)
250mm	TT100B 250
300mm	TT100B 300
350mm	TT100B 350
400mm	TT100B 400
450mm	TT100B 450
500mm	TT100B 500
550mm	TT100B 550
600mm	TT100B 600
650mm	TT100B 650
700mm	TT100B 700

Recommended Fasteners		KV Part	Finish	Qty
	#7 x 1/2" Phillips Pan Head	8500-93	Zinc (ZC)	1000

## Mounting Brackets



TT401

Product	Front or Rear	Finish	Pack
TT401	Rear	Zinc (ZC)	200 (10 Inner Boxes of 20 Brackets) Pallet Qty: 9,600 each
TT401B	Rear	Zinc (ZC)	200 (200 Loose Brackets) Pallet Qty: 9,600 each

# KV DuriSlide™ 4500 Ball-Bearing Drawer Slide



## Features

- 32mm and traditional hole pattern
- Lever disconnect for easy drawer removal
- Non-handed design
- Recommended maximum drawer width 24"

**Mounting:** Side

**Action:** Telescopic movement on ball-bearings

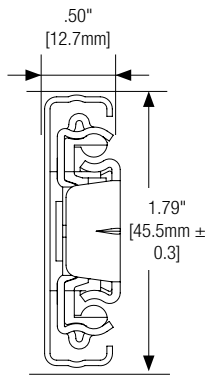
**Load Rating:** 100 lb. class

**Height:** 1.79" [45.5mm]

**Clearance:** .50" + .03" - 0" on each side


**Finish:** Zinc (ZC)

**Profile:**



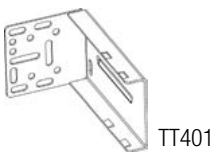
## Configurations

Bulk (B)	10 pairs per carton without screws	
Quantity (Q)	20 cabinet members per carton, 100 drawer members per carton	
DUR4500 Zinc (ZC) Finish		
Size	Bulk (B)	Quantity (Q)*
250mm	DUR45B 250	DUR45Q 250
300mm	DUR45B 300	DUR45Q 300
350mm	DUR45B 350	DUR45Q 350
400mm	DUR45B 400	DUR45Q 400
450mm	DUR45B 450	DUR45Q 450
500mm	DUR45B 500	DUR45Q 500
550mm	DUR45B 550	DUR45Q 550
600mm	DUR45B 600	DUR45Q 600
650mm	DUR45B 650	DUR45Q 650
700mm	DUR45B 700	DUR45Q 700

Recommended Fasteners		KV Part	Finish	Qty
	#7 x 1/2" Phillips Pan Head	8500-93	Zinc (ZC)	1000

\* Drop Ship Full Container - full pallet quantities vary by size.

## Mounting Brackets



Product	Front or Rear	Finish	Pack
TT401	Rear	Zinc (ZC)	200 (10 Inner Boxes of 20 Brackets) Pallet Qty: 9,600 each
TT401B	Rear	Zinc (ZC)	200 (200 Loose Brackets) Pallet Qty: 9,600 each



# Undermount Drawer Slides

- KV GSlide GS2070 Full Extension Undermount Drawer Slide . . . . . 38
- MuV+ Full Extension Undermount Drawer Slide. . . . . 39
- MuV+34 Full Extension Undermount Drawer Slide. . . . . 40
- MuV+HD Heavy-Duty Full Extension Undermount Drawer Slide. . . . . 41
- MuV+34HD Heavy-Duty Full Extension Undermount Drawer Slide. . . . . 42

	Mounting Style	Load Class	Type	Extension			Disconnect Type				Open/Close Features			
				Undermount	3/4 Extension	Full Extension	1" Over Travel	No Disconnect	Friction Release	Lever Release	Lift Out	Quick Disconnect	Hold In Anti-Rebound	Hold-Out / Open
GS2070	Under	75	•	•	•	•	•	•	•	•	•	•	•	•
MuV+	Under	75	•	•	•	•	•	•	•	•	•	•	•	•
MuV+34	Under	75	•	•	•	•	•	•	•	•	•	•	•	•
MuV+HD	Under	120	•	•	•	•	•	•	•	•	•	•	•	•
MuV+34HD	Under	120	•	•	•	•	•	•	•	•	•	•	•	•

# KV GSlide® GS2070 Full Extension Undermount Drawer Slide

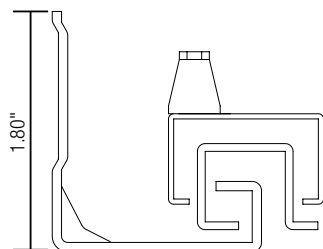


## Features

- For use with drawer material thickness from 1/2" to 5/8"
- 32mm hole pattern matches existing industry standards
- Full extension travel


**Mounting:** Undermount  
**Action:** Telescopic action  
**Load Rating:** 75 lb. class  
**Height:** 1.80" [45.7mm]  
**Finish:** Zinc (ZC)

### Profile:



## Configurations

Bulk (B)	6 pairs per carton without screws
<b>2070 Zinc (ZC) Finish</b>	
<b>Size</b>	<b>Bulk (B)</b>
9"	KVGS-2070B 9
12"	KVGS-2070B 12
15"	KVGS-2070B 15
18"	KVGS-2070B 18
21"	KVGS-2070B 21

<b>Recommended Fasteners</b>	
	#7 x 5/8" Flat Head Slide Mounting Screws
	#7 x 3/4" Flat Head Front Mounting Clip Screws

## Mounting Brackets



2070-RBP Plastic Rear  
Mounting Bracket  
All Lengths

2070-RBM Metal Rear  
Mounting Bracket  
All Lengths

Product	Description	Carton Quantity
2070-RBP	Plastic rear mounting brackets	60
2070-RBM	Metal rear mounting brackets	60

## Release Levers



2070-2D-RL

## Release Lever Adjustment

Part Number	Height	Side-to-Side	Carton Quantity
2070-2D-RL	+ 1/8" [3mm]	± 1/16" [1.5mm]	30

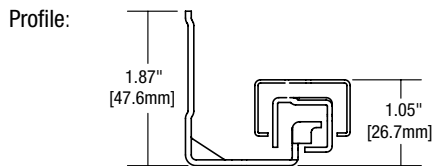
# MuV+ Full Extension Undermount Drawer Slide



## Features

- For use with drawer material thickness from 1/2" to 5/8"
- 32mm hole pattern matches existing industry standards
- Full extension travel
- Redesigned pivoting latch increases sound dampening for a quieter close
- Updated soft-close module allows pull-force adjustment to maintain smooth operation
- Five release levers allow adjustments in installed drawers
- Bottom mounting holes for flat surface mounting

**Mounting:** Undermount  
**Action:** Telescopic action  
**Load Rating:** 75 lb. class  
**Height:** 1.87" [47.6mm]  
**Finish:** Zinc (ZC)



## Release Levers



## Release Lever Adjustment

Part Number	Height	Side-to-Side	In/Out
MUV1D-RL	+ 1/8" [3mm]	–	–
MUV2D-RL	+ 1/8" [3mm]	± 1/16" [1.5mm]	–
MUV3D-RL	+ 1/8" [3mm]	± 1/16" [1.5mm]	+ 3/32" [2.5mm]
MUV1DF-RL	+ 1/8" [3mm]	–	–
MUV2DF-RL	+ 1/8" [3mm]	± 1/16" [1.5mm]	–

## Configurations



Bulk (B)	9"–12": 4 pairs per carton without screws
	14"–22": 6 pairs per carton without screws
MuV+ Zinc (ZC) Finish	
Size	Bulk (B)
9"	MUVAB 9
10"	MUVAB 10
12"	MUVAB 12
14"	MUVAB 14
15"	MUVAB 15
16"	MUVAB 16
18"	MUVAB 18
20"	MUVAB 20
21"	MUVAB 21
22"	MUVAB 22

Recommended Fasteners	KV Part	Finish	Qty	
	#7 x 5/8" Slide Mounting Screws	MUV-122	Zinc (ZC)	100
	#6 x 1/2" Front Mounting Clip Screws	MUV-123	Zinc (ZC)	100

Optimal Operation Guidelines for Drawer Width Based on Drawer Height	
Drawer Height	Maximum Width
Up to 6"	Slide length + 10"
Greater than 6"	Slide length + 10" or 28", whichever is less
Greater than 8"	Slide length + 10" or 24", whichever is less
Greater than 10"	Slide length + 10" or 21", whichever is less

## Mounting Brackets & Installation Jig



MUV-RBP Plastic Rear Mounting Bracket  
 Sizes 9–12"

MUV-RBM Metal Rear Mounting Bracket  
 Sizes 14"+

MUV-124 Installation Jig

Product	Description	Carton Quantity
MUV-RBP	Plastic rear mounting brackets (sizes 9–12")	8 (4L, 4R)
MUV-RBM	Metal rear mounting brackets (sizes 14"+)	12 (non-handed)
MUV-124	Installation jig	1



# MuV+34 Full Extension Undermount Drawer Slide

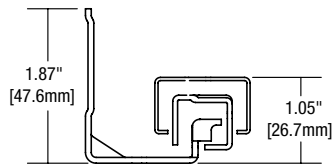


## Features

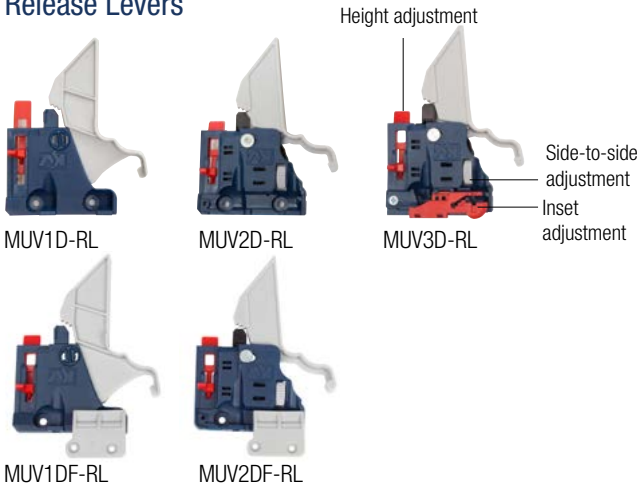
- For use with drawer material thickness from 5/8" to 3/4"
- 32mm hole pattern matches existing industry standards
- Full extension travel
- Redesigned pivoting latch increases sound dampening for a quieter close
- Updated soft-close module allows pull-force adjustment to maintain smooth operation
- Five release levers allow adjustments in installed drawers
- Bottom mounting holes for flat surface mounting

**Mounting:** Undermount  
**Action:** Telescopic action  
**Load Rating:** 75 lb. class  
**Height:** 1.87" [47.6mm]  
**Finish:** Zinc (ZC)

## Profile:



## Release Levers



## Release Lever Adjustment

Part Number	Height	Side-to-Side	In/Out
MUV1D-RL	+ 1/8" [3mm]	–	–
MUV2D-RL	+ 1/8" [3mm]	± 1/16" [1.5mm]	–
MUV3D-RL	+ 1/8" [3mm]	± 1/16" [1.5mm]	+ 3/32" [2.5mm]
MUV1DF-RL	+ 1/8" [3mm]	–	–
MUV2DF-RL	+ 1/8" [3mm]	± 1/16" [1.5mm]	–

## Configurations



Bulk (B)	9"–12": 4 pairs per carton without screws
	14"–22": 6 pairs per carton without screws
MuV+34 Zinc (ZC) Finish	
Size	Bulk (B)
9"	MUV34AB 9
10"	MUV34AB 10
12"	MUV34AB 12
14"	MUV34AB 14
15"	MUV34AB 15
16"	MUV34AB 16
18"	MUV34AB 18
20"	MUV34AB 20
21"	MUV34AB 21
22"	MUV34AB 22

Recommended Fasteners	KV Part	Finish	Qty	
	#7 x 5/8" Slide Mounting Screws	MUV-122	Zinc (ZC)	100
	#6 x 1/2" Front Mounting Clip Screws	MUV-123	Zinc (ZC)	100

## Optimal Operation Guidelines for Drawer Width Based on Drawer Height

Drawer Height	Maximum Width
Up to 6"	Slide length + 10"
Greater than 6"	Slide length + 10" or 28", whichever is less
Greater than 8"	Slide length + 10" or 24", whichever is less
Greater than 10"	Slide length + 10" or 21", whichever is less

## Mounting Brackets & Installation Jig



MUV-RBP Plastic Rear Mounting Bracket  
 Sizes 9–12"

MUV-RBM Metal Rear Mounting Bracket  
 Sizes 14"+

MUV-124 Installation Jig

Product	Description	Carton Quantity
MUV-RBP	Plastic rear mounting brackets (sizes 9–12")	8 (4L, 4R)
MUV-RBM	Metal rear mounting brackets (sizes 14"+)	12 (non-handed)
MUV-124	Installation jig	1

# MuV+HD Heavy-Duty Full Extension Undermount Drawer Slide

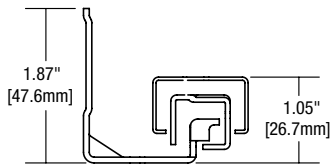


## Features

- For use with drawer material thickness from 1/2" to 5/8"
- Industry standard 32mm mounting hole pattern
- Recommended maximum drawer width 42"
- Redesigned pivoting latch increases sound dampening for a quieter close
- Updated soft-close module allows pull-force adjustment to maintain smooth operation
- Five release levers allow adjustments in installed drawers
- Bottom mounting holes for flat surface mounting


**Mounting:** Undermount  
**Travel:** Full extension  
**Load Rating:** 120 lb. class  
**Height:** 1.87" [47.6mm]  
**Finish:** Zinc (ZC)

**Profile:**



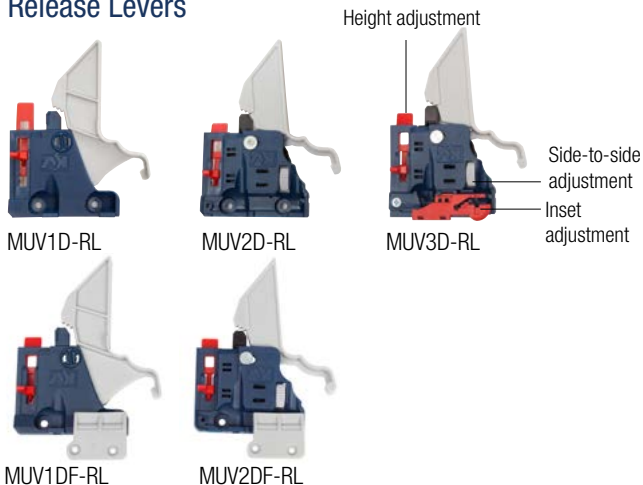
## Configurations

Bulk (B)	4 pairs per carton without screws
<b>MuV+HD Zinc (ZC) Finish</b>	
<b>Size</b>	<b>Bulk (B)</b>
18"	MUVHDAB 18
20"	MUVHDAB 20
21"	MUVHDAB 21
22"	MUVHDAB 22
24"	MUVHDAB 24
27"	MUVHDAB 27
30"	MUVHDAB 30

Recommended Fasteners	KV Part	Finish	Qty	
	#7 x 5/8" Flathead Wood Screws	MUV-122	Zinc (ZC)	100
	#6 x 1/2" Truss Head Wood Screws	MUV-123	Zinc (ZC)	100

Note: MuV+HD and MuV+34HD Face-Frame applications must be blocked out.

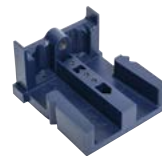
## Release Levers



## Release Lever Adjustment

Part Number	Height	Side-to-Side	In/Out
MUV1D-RL	+ 1/8" [3mm]	–	–
MUV2D-RL	+ 1/8" [3mm]	± 1/16" [1.5mm]	–
MUV3D-RL	+ 1/8" [3mm]	± 1/16" [1.5mm]	+ 3/32" [2.5mm]
MUV1DF-RL	+ 1/8" [3mm]	–	–
MUV2DF-RL	+ 1/8" [3mm]	± 1/16" [1.5mm]	–

## Installation Jig



MUV-124  
Installation Jig

Product	Description	Carton Quantity
MUV-124	Installation jig	1

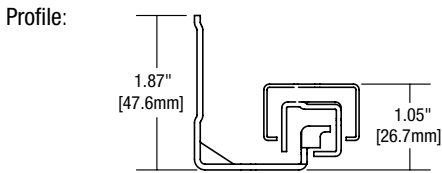
# MuV+ 34HD Heavy-Duty Full Extension Undermount Drawer Slide



## Features


- For use with drawer material thickness from 5/8" to 3/4"
- Industry standard 32mm mounting hole pattern
- Recommended maximum drawer width 42"
- Redesigned pivoting latch increases sound dampening for a quieter close
- Updated soft-close module allows pull-force adjustment to maintain smooth operation
- Five release levers allow adjustments in installed drawers
- Bottom mounting holes for flat surface mounting

**Mounting:** Undermount  
**Travel:** Full extension  
**Load Rating:** 120 lb. class  
**Height:** 1.87" [47.6mm]  
**Finish:** Zinc (ZC)



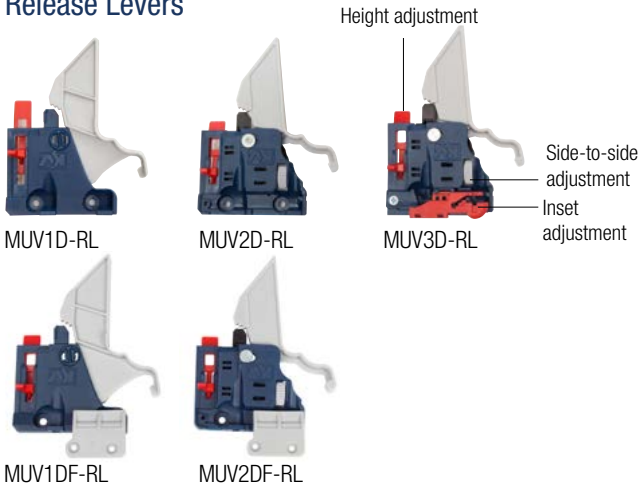
## Configurations

Bulk (B)	4 pairs per carton without screws
<b>MuV+34HD Zinc (ZC) Finish</b>	
<b>Size</b>	<b>Bulk (B)</b>
18"	MUV34HDAB 18
20"	MUV34HDAB 20
21"	MUV34HDAB 21
22"	MUV34HDAB 22
24"	MUV34HDAB 24
27"	MUV34HDAB 27
30"	MUV34HDAB 30

Recommended Fasteners	KV Part	Finish	Qty	
	#7 x 5/8" Flathead Wood Screws	MUV-122	Zinc (ZC)	100
	#6 x 1/2" Truss Head Wood Screws	MUV-123	Zinc (ZC)	100

Note: MuV+HD and MuV+34HD Face-Frame applications must be blocked out.

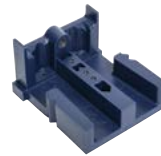
## Release Levers



## Release Lever Adjustment

Part Number	Height	Side-to-Side	In/Out
MUV1D-RL	+ 1/8" [3mm]	–	–
MUV2D-RL	+ 1/8" [3mm]	± 1/16" [1.5mm]	–
MUV3D-RL	+ 1/8" [3mm]	± 1/16" [1.5mm]	+ 3/32" [2.5mm]
MUV1DF-RL	+ 1/8" [3mm]	–	–
MUV2DF-RL	+ 1/8" [3mm]	± 1/16" [1.5mm]	–

## Installation Jig



MUV-124  
Installation Jig

Product	Description	Carton Quantity
MUV-124	Installation jig	1



# Heavy-Duty Drawer Slides

6500 Full Extension Box or File Drawer Slide . . . . .	44
6505 Over Travel Box or File Drawer Slide . . . . .	45
8500, 8505 Heavy-Duty File or Lateral Drawer Slides . . . . .	46
8520, 8525 Extra Heavy-Duty File or Lateral Drawer Slides . . . . .	47
8600 Heavy-Duty Full Extension Drawer Slide . . . . .	48
8605 Heavy-Duty Over Travel Drawer Slide . . . . .	49
8620 Heavy-Duty Full Extension Metal Cabinet and Drawer Slide . . . . .	50
8625 Heavy-Duty Over Travel Metal Cabinet and Drawer Slide . . . . .	51
8650FM Heavy-Duty Soft-Close Full Extension Drawer Slide . . . . .	52
8655FM Heavy-Duty Soft-Close Over Travel Drawer Slide . . . . .	53
8810 Heavy-Duty Full Extension Drawer Slide . . . . .	54
8815 Heavy-Duty Over Travel Drawer Slide . . . . .	55
8820 Heavy-Duty Full Extension Metal Cabinet and Drawer Slide . . . . .	56
8825 Heavy-Duty Over Travel Metal Cabinet and Drawer Slide . . . . .	57
8900 Extra Heavy-Duty Full Extension Drawer Slide . . . . .	58
8908, 8909, 8910 Extra Heavy-Duty Full Extension Locking Drawer Slides . . . . .	59

Customer Service: 1.800.253.1561

	Mounting Style	Load Class	Type		3/4 Extension	Full Extension	1" Over Travel	No Disconnect	Friction Release	Lever Release	Quick Disconnect	Open/Close Features			
			Roller Bearing	Ball-Bearing								Hold in Anti-Rebound	Hold-Out / Open	Lock Open	Soft-Close
6500	Side	125	•		•				•			•			
6505	Side	125	•		•				•			•			
8500	Side	150	•		•							•	•		
8505	Side	150	•		•							•	•		
8520	Side	175	•		•							•	•		
8525	Side	175	•		•							•	•		
8600	Side	150	•		•				•						
8605	Side	140	•		•				•						
8620	Side	150	•		•				•				•		
8625	Side	140	•		•				•				•		
8650FM	Side	150	•		•				•						•
8655FM	Side	140	•		•				•						•
8810	Side	200	•		•				•				•		
8815	Side	190	•		•				•				•		
8820	Side	200	•		•				•				•		
8825	Side	190	•		•				•				•		
8900	Side	150-500	•		•	•									
8908	Side	150-500	•		•	•								•	•
8909	Side	150-500	•		•	•								•	
8910	Side	150-500	•		•	•									•

## 6500 Full Extension Box or File Drawer Slide



### Features

- Lever disconnect for easy drawer removal
- Closed position hold-in detent
- Non-handed design
- Recommended maximum drawer width 30"

**Mounting:** Side

**Action:** Telescopic movement on ball-bearings

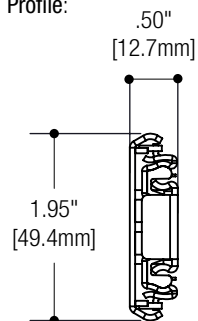
**Load Rating:** 125 lb. class

**Height:** 1.95" [49.4mm]

**Clearance:** .50" + .03" - 0" on each side

**Finish:** Zinc (ZC)

**Profile:**



### Configurations



Bulk (B)	5 pairs per carton without screws
6500 Zinc (ZC) Finish	
Size	Bulk (B)
12"	6500B 12
14"	6500B 14
16"	6500B 16
18"	6500B 18
20"	6500B 20
22"	6500B 22
24"	6500B 24
26"	6500B 26
28"	6500B 28

Recommended Fasteners	
	#7 x 1/2" Wood Screws

## 6505 Over Travel Box or File Slide



### Features

- 1" over travel for easy access to drawer contents
- Closed position hold-in detent
- Lever disconnect for easy drawer removal
- Recommended maximum drawer width 30"

**Mounting:** Side

**Action:** Telescopic movement on ball-bearings

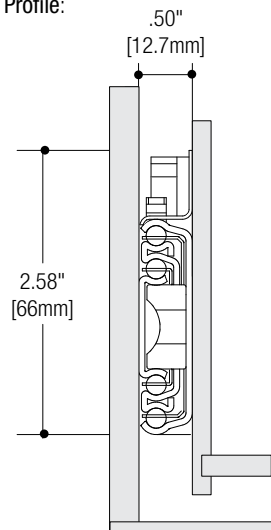
**Load Rating:** 125 lb. class

**Height:** 2.58" [66mm]

**Clearance:** .50" + .03" - 0" on each side

**Finish:** Zinc (ZC)

**Profile:**




### Configurations



Bulk (B)	5 pairs per carton without screws
<b>6505 Zinc (ZC) Finish</b>	
<b>Size</b>	<b>Bulk (B)</b>
12"	6505B 12
14"	6505B 14
16"	6505B 16
18"	6505B 18
20"	6505B 20
22"	6505B 22
24"	6505B 24
26"	6505B 26
28"	6505B 28

### Recommended Fasteners

	#8 x 7/16" Wood Screws
--	------------------------

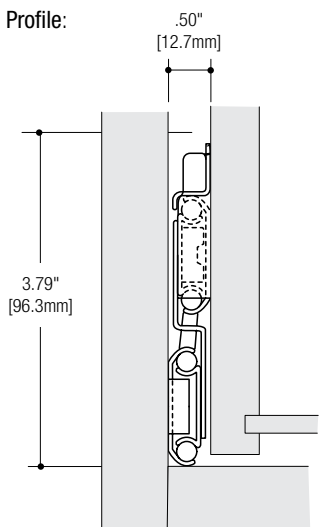
# 8500, 8505 Heavy-Duty File or Lateral Drawer Slides



## Features

- 32mm hole pattern
- Non-handed quick disconnect drawer members
- Hold-in feature to prevent bounce back
- Recommended maximum drawer width  
8500: 36"  
8505: 30"

**8500:** Full extension drawer slide  
**8505:** 1.25" over travel drawer slide  
**Mounting:** Side  
**Action:** Progressive movement on ball-bearings  
**Load Rating:** 150 lb. class  
**Height:** 3.79" [96.3mm] (includes quick disconnect rail)  
**Clearance:** .50" + .03" - 0" on each side  
**Finish:** Anochrome (ANO), Ebony Black (EB)



## Configurations



Bulk (B)	5 pairs per carton without screws		
Poly (P)	1 pair per bag with screws; 5 pairs per carton		
Quantity (Q)	10 pairs without screws; multiple cartons		
<b>8500 Anochrome (ANO) Finish</b>			
<b>Size</b>	<b>Bulk (B)</b>	<b>Poly (P)</b>	<b>Quantity (Q)</b>
12"	8500B 12	8500P 12	8500Q 12
14"	8500B 14	8500P 14	8500Q 14
16"	8500B 16	8500P 16	8500Q 16
18"	8500B 18	8500P 18	8500Q 18
20"	8500B 20	8500P 20	8500Q 20
22"	8500B 22	8500P 22	8500Q 22
24"	8500B 24	8500P 24	8500Q 24
26"	8500B 26	8500P 26	8500Q 26
28"	8500B 28	8500P 28	8500Q 28
30"	8500B 30	8500P 30	8500Q 30
<b>8505 Anochrome (ANO) Finish</b>			
12"	8505B 12	8505P 12	8505Q 12
14"	8505B 14	8505P 14	8505Q 14
16"	8505B 16	8505P 16	8505Q 16
18"	8505B 18	8505P 18	8505Q 18
20"	8505B 20	8505P 20	8505Q 20
22"	8505B 22	8505P 22	8505Q 22
24"	8505B 24	8505P 24	8505Q 24
26"	8505B 26	8505P 26	8505Q 26
28"	8505B 28	8505P 28	8505Q 28
30"	8505B 30	8505P 30	8505Q 30
<b>8505 Ebony Black (EB) Finish</b>			
12"	8505B EB 12	–	8505Q EB 12
14"	8505B EB 14	–	8505Q EB 14
16"	8505B EB 16	8505P EB 16	8505Q EB 16
18"	8505B EB 18	8505P EB 18	8505Q EB 18
20"	8505B EB 20	8505P EB 20	8505Q EB 20
22"	8505B EB 22	8505P EB 22	8505Q EB 22
24"	8505B EB 24	8505P EB 24	8505Q EB 24
26"	8505B EB 26	–	8505Q EB 26
28"	8505B EB 28	–	8505Q EB 28
30"	8505B EB 30	–	8505Q EB 30

Recommended Fasteners		KV Part	Finish	Qty
	#7 x 1/2" Phillips Pan Head Screws	8500-93	Zinc (ZC)	1000
		8500-93 EB	Ebony Black (EB)	1000

☐ Non-stock item – minimum order quantities and additional lead time may apply.

# 8520, 8525 Extra Heavy-Duty File or Lateral Drawer Slides

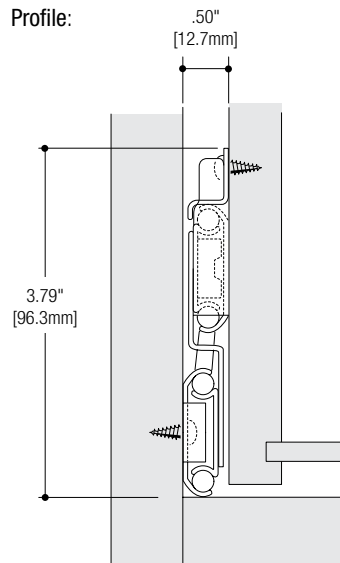


## Features

- 32mm hole pattern
- Non-handed quick disconnect drawer members
- Hold-in feature to prevent bounce back
- Recommended maximum drawer width  
8520: 42"  
8525: 36"

8520: Full extension drawer slide  
 8525: 1.25" over travel drawer slide  
**Mounting:** Side  
**Action:** Progressive movement on ball-bearings  
**Load Rating:** 175 lb. class  
**Height:** 3.79" [96.3mm] (includes quick disconnect rail)  
**Clearance:** .50" + .03" - 0" on each side  
**Finish:** Anochrome (ANO)

### Profile:



## Configurations

Bulk (B)	5 pairs per carton without screws		
Poly (P)	1 pair per bag with screws; 5 pairs per carton		
Quantity (Q)	10 pairs without screws; multiple cartons		
<b>8520 Anochrome (ANO) Finish</b>			
<b>Size</b>	<b>Bulk (B)</b>	<b>Poly (P)</b>	<b>Quantity (Q)</b>
16"	8520B 16	8520P 16	8520Q 16
18"	8520B 18	8520P 18	8520Q 18
20"	8520B 20	8520P 20	8520Q 20
<b>8525 Anochrome (ANO) Finish</b>			
16"	8525B 16	8525P 16	–
18"	8525B 18	8525P 18	–
20"	8525B 20	8525P 20	–

Recommended Fasteners		KV Part	Finish	Qty
	#7 x 1/2" Phillips Pan Head Screws	8500-93	Zinc (ZC)	1000

Non-stock item – minimum order quantities and additional lead time may apply.



# 8600 Heavy-Duty Full Extension Drawer Slide



## Features

- Butterfly lever disconnect
- Non-handed design
- Recommended maximum drawer width 36"

**Mounting:** Side

**Action:** Telescopic movement on ball-bearings

**Load Rating** (based on application):

**Load:** 150 lb.  
 Max. Drawer Width: 36"  
 Slides: 18"  
 Drawer Width: 36"  
 Cycles: 50,000 (center pull)

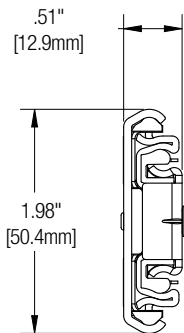
**Load:** 200 lb.  
 Max. Drawer Width: 18"  
 Slides: 18"  
 Drawer Width: 18"  
 Cycles: 25,000 (center pull)

**Height:** 1.98" [50.4mm]

**Clearance:** .51" + .01" - 0" on each side

**Finish:** Zinc (ZC)


**Profile:**



## Configurations



Bulk (B)	5 pairs per carton without screws
<b>8600 Zinc (ZC) Finish</b>	
<b>Size</b>	<b>Bulk (B)</b>
12"	8600B 12
14"	8600B 14
16"	8600B 16
18"	8600B 18
20"	8600B 20
22"	8600B 22
24"	8600B 24
26"	8600B 26
28"	8600B 28

<b>Recommended Fasteners</b>	
	#7 x 1/2" Truss Head Screws

# 8605 Heavy-Duty Over Travel Drawer Slide



### Features

- 1" over travel
- Butterfly lever disconnect
- Non-handed design
- Recommended maximum drawer width 36"

**Mounting:** Side  
**Action:** Telescopic movement on ball-bearings

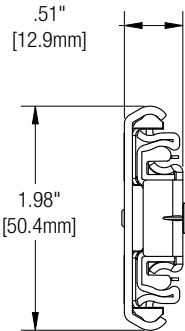
**Load Rating** (based on application):

**Load:** 140 lb.  
 Max. Drawer Width: 36"  
 Slides: 18"  
 Drawer Width: 36"  
 Cycles: 50,000 (center pull)

**Load:** 190 lb.  
 Max. Drawer Width: 18"  
 Slides: 18"  
 Drawer Width: 18"  
 Cycles: 25,000 (center pull)

**Height:** 1.98" [50.4mm]  
**Clearance:** .51" + .01"- 0" on each side  
**Finish:** Zinc (ZC)


**Profile:**



### Configurations



Bulk (B)	5 pairs per carton without screws
<b>8605 Zinc (ZC) Finish</b>	
<b>Size</b>	<b>Bulk (B)</b>
12"	8605B 12
14"	8605B 14
16"	8605B 16
18"	8605B 18
20"	8605B 20
22"	8605B 22
24"	8605B 24
26"	8605B 26
28"	8605B 28

<b>Recommended Fasteners</b>	
	#7 x 1/2" Truss Head Screws

# 8620 Full Extension Metal Cabinet and Drawer Slide



## Features

- Bayonet and Belt Loop Mount
- Lever disconnect for easy drawer removal
- Recommended maximum drawer width 36"

**Mounting:** Side (Bayonet and Belt Loop)

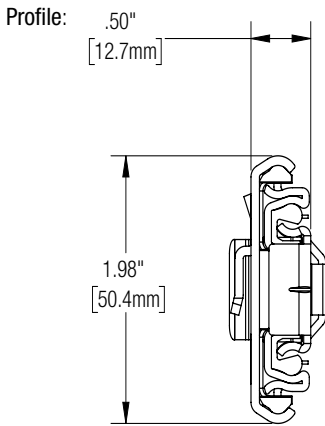
**Action:** Telescopic action on ball-bearings

**Load Rating:** 150 lb. class

**Height:** 1.98" [50.4mm]

**Clearance:** .51" + .01" - 0" on each side

**Finish:** Zinc (ZC)



## Configurations

Quantity (Q)	10 pairs; multiple cartons
<b>8620 Zinc (ZC) Finish</b>	
<b>Size</b>	<b>Quantity (Q)</b>
14"	8620Q 14
16"	8620Q 16
18"	8620Q 18
20"	8620Q 20
22"	8620Q 22
24"	8620Q 24
26"	8620Q 26
28"	8620Q 28

Non-stock item – minimum order quantities and additional lead time may apply.

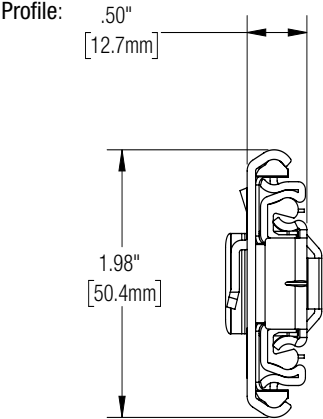
# 8625 Over Travel Metal Cabinet and Drawer Slide



### Features

- Bayonet and Belt Loop Mount
- Lever disconnect for easy drawer removal
- Recommended maximum drawer width 36"

**Mounting:** Side (Bayonet and Belt Loop)  
**Action:** Telescopic action on ball-bearings  
**Load Rating:** 140 lb. class  
**Height:** 1.98" [50.4mm]  
**Clearance:** .51" + .01" - 0" on each side  
**Finish:** Zinc (ZC)



### Configurations

Quantity (Q)	10 pairs; multiple cartons
<b>8625 Zinc (ZC) Finish</b>	
<b>Size</b>	<b>Quantity (Q)</b>
14"	8625Q 14
16"	8625Q 16
18"	8625Q 18
20"	8625Q 20
22"	8625Q 22
24"	8625Q 24
26"	8625Q 26
28"	8625Q 28

Non-stock item – minimum order quantities and additional lead time may apply.

# 8650FM Heavy-Duty Soft-Close Full Extension Drawer Slide



## Features

- Patented Force Management (FM) Soft-Close Technology
- Butterfly lever disconnect
- Non-handed design
- Recommended maximum drawer width 36"

**Mounting:** Side

**Action:** Telescopic movement on ball-bearings

**Load Rating:** 150 lb.

Max. Drawer Width: 36"

Slides: 18"

Drawer Width: 36"

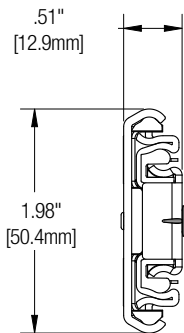
Cycles: 50,000 (center pull)

**Height:** 1.98" [50.4mm]

**Clearance:** .51" + .01"- 0" on each side


**Finish:** Zinc (ZC)

**Profile:**



## Configurations

Bulk (B)	5 pairs per carton without screws
<b>8650 Zinc (ZC) Finish</b>	
<b>Size</b>	<b>Bulk (B)</b>
14"	8650FMB 14
16"	8650FMB 16
18"	8650FMB 18
20"	8650FMB 20
22"	8650FMB 22
24"	8650FMB 24
26"	8650FMB 26
28"	8650FMB 28

<b>Recommended Fasteners</b>	
	#7 x 1/2" Truss Head Screws

**14" and 16" less than full extension**  
**14" extension = 11"; 16" extension = 15"**

# 8655FM Heavy-Duty Soft-Close Over Travel Drawer Slide



## Features

- Patented Force Management (FM) Soft-Close Technology
- 1" over travel
- Butterfly lever disconnect
- Non-handed design
- Recommended maximum drawer width 36"

**Mounting:** Side

**Action:** Telescopic movement on ball-bearings

**Load Rating:** 140 lb.

Max. Drawer Width: 36"

Slides: 18"

Drawer Width: 36"

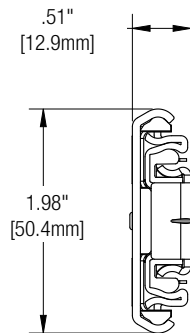
Cycles: 50,000 (center pull)

**Height:** 1.98" [50.4mm]

**Clearance:** .51" + .01"- 0" on each side

**Finish:** Zinc (ZC)

**Profile:**



## Configurations

Bulk (B)	5 pairs per carton without screws
<b>8655 Zinc (ZC) Finish</b>	
<b>Size</b>	<b>Bulk (B)</b>
18"	8655FMB 18
20"	8655FMB 20
22"	8655FMB 22
24"	8655FMB 24
26"	8655FMB 26
28"	8655FMB 28

### Recommended Fasteners



#7 x 1/2" Truss Head Screws

# 8810 Heavy-Duty Full Extension Drawer Slide



## Features

- Non-handed design for easy installation
- Closed-position hold-in detent
- Butterfly lever release
- Recommended maximum drawer width 42"

**Mounting:** Side

**Action:** Telescopic movement on ball-bearings

**Load Rating:** 200 lb. class

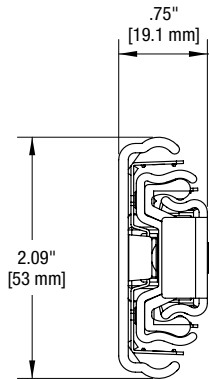
- 100 lb. flat mount rating

**Height:** 2.09" [53mm]

**Clearance:** .75" + .03" - 0" on each side


**Finish:** Zinc (ZC)

**Profile:**



## Configurations

Bulk (B)	4 pairs per carton without screws
<b>8810 Zinc (ZC) Finish</b>	
<b>Size</b>	<b>Bulk (B)</b>
10"	8810B 10
12"	8810B 12
14"	8810B 14
16"	8810B 16
18"	8810B 18
20"	8810B 20
22"	8810B 22
24"	8810B 24
26"	8810B 26
28"	8810B 28

<b>Recommended Fasteners</b>	
	#8 or #10 x 5/8" Phillips Flathead

# 8815 Heavy-Duty Over Travel Drawer Slide



## Features

- Non-handed design for easy installation
- Ideal for large storage drawer applications
- 1" over travel allows for easy access to drawer contents
- Butterfly
- Recommended maximum drawer width 42"

**Mounting:** Side

**Action:** Telescopic movement on ball-bearings

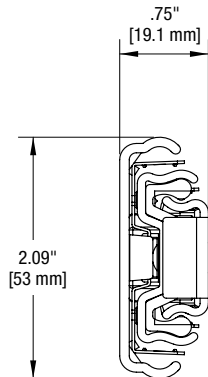
**Load Rating:** 190 lb. class

**Height:** 2.09" [53mm]

**Clearance:** .75" + .03" - 0" on each side

**Finish:** Zinc (ZC)

**Profile:**



## Configurations

Bulk (B)	4 pairs per carton without screws
<b>8815 Zinc (ZC) Finish</b>	
<b>Size</b>	<b>Bulk (B)</b>
12"	8815B 12
14"	8815B 14
16"	8815B 16
18"	8815B 18
20"	8815B 20
22"	8815B 22
24"	8815B 24
26"	8815B 26
28"	8815B 28

## Recommended Fasteners



#8 or #10 x 5/8" Phillips Flathead



# 8820 Heavy-Duty Full Extension Metal Cabinet and Drawer Slide



## Features

- Bayonet and Belt Loop Mount
- Lever disconnect for easy drawer removal
- Recommended maximum drawer width 42"

**Mounting:** Side (Bayonet and Belt Loop)

**Action:** Telescopic action on ball-bearings

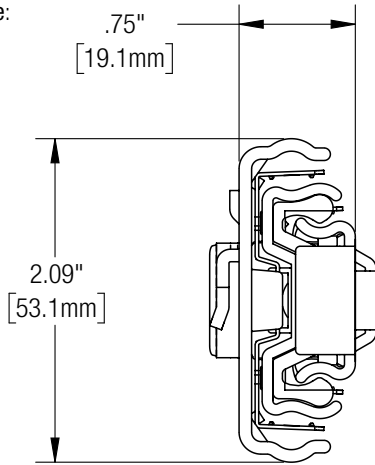
**Load Rating:** 200 lb. class

**Height:** 2.09" [53mm]

**Clearance:** .75" + .03" - 0" on each side

**Finish:** Zinc (ZC)

**Profile:**



## Configurations

Quantity (Q)	5 pairs; multiple cartons
<b>8820 Zinc (ZC) Finish</b>	
<b>Size</b>	<b>Quantity (Q)</b>
14"	8820Q 14
16"	8820Q 16
18"	8820Q 18
20"	8820Q 20
22"	8820Q 22
24"	8820Q 24
26"	8820Q 26
28"	8820Q 28

Non-stock item – minimum order quantities and additional lead time may apply.

# 8825 Heavy-Duty Over Travel Metal Cabinet and Drawer Slide

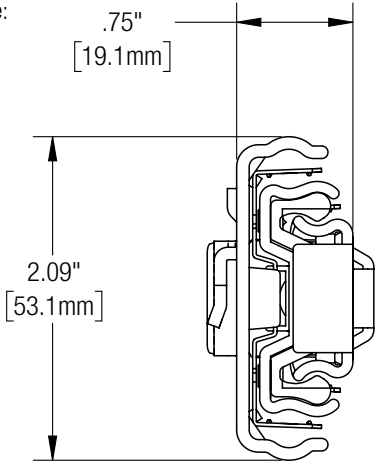


### Features

- Bayonet and Belt Loop Mount
- Lever disconnect for easy drawer removal
- Recommended maximum drawer width 42"

**Mounting:** Side (Bayonet and Belt Loop)  
**Action:** Telescopic action on ball-bearings  
**Load Rating:** 190 lb. class  
**Height:** 2.09" [53mm]  
**Clearance:** .75" + .03" - 0" on each side  
**Finish:** Zinc (ZC)

**Profile:**



### Configurations

Quantity (Q)	5 pairs; multiple cartons
<b>8825 Zinc (ZC) Finish</b>	
Size	Quantity (Q)
14"	8825Q 14
16"	8825Q 16
18"	8825Q 18
20"	8825Q 20
22"	8825Q 22
24"	8825Q 24
26"	8825Q 26
28"	8825Q 28

Non-stock item – minimum order quantities and additional lead time may apply.

# 8900 Extra Heavy-Duty Full Extension Drawer Slide



## Features

- Heavy-Duty stops are designed to withstand rough use
- Non-handed design for easy installation
- Full extension travel
- Non-disconnect

**Mounting:** Side

**Action:** Telescopic movement on ball-bearings

**Load Rating:** 100–500 lb. class depending on application

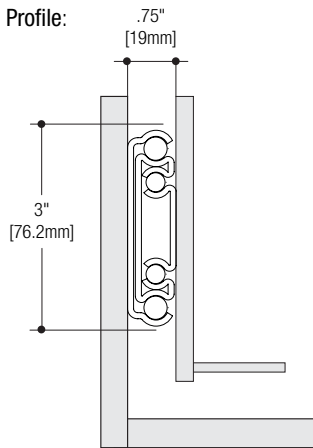
- 100 lb. flat mount rating

**Height:** 3" [76.2mm]

**Clearance:** .75" + .03" - 0" on each side

**Finish:** Zinc (ZC)

**Profile:**



## Configurations



Bulk (B)	10" – 20": 4 pairs per carton; 22" – 28": 3 pairs per carton 30" – 36": 2 pairs per carton; 40" – 60": 1 pair per carton
Poly (P)	10" – 20": 4 pairs per carton; 22" – 28": 3 pairs per carton 30" – 36": 2 pairs per carton

8900 Zinc (ZC) Finish		
Size	Bulk (B)	Poly (P)
10"	8900B 10	8900P 10
12"	8900B 12	8900P 12
14"	8900B 14	8900P 14
16"	8900B 16	8900P 16
18"	8900B 18	8900P 18
20"	8900B 20	8900P 20
22"	8900B 22	8900P 22
24"	8900B 24	8900P 24
26"	8900B 26	8900P 26
28"	8900B 28	8900P 28
30"	8900B 30	8900P 30
32"	8900B 32	8900P 32
34"	8900B 34	8900P 34
36"	8900B 36	8900P 36
40"	8900B 40	–
42"	8900B 42	–
44"	8900B 44	–
48"	8900B 48	–
60"	8900B 60	–

Recommended Fasteners	
	1/4" [M6 Euro] flat, hex or pan head screw for 0.26" [6.6mm] cabinet member hole
	1/4" [M6 Euro] hex or pan head screw for 0.26" [6.6mm] drawer member hole
	#10 [M5 Euro] flat, hex or pan head screw for 0.20" [5.2mm] cabinet member hole
	#10 [M5 Euro] hex or pan head screw for 0.20" [5.2mm] drawer member hole

Load Rating Chart		
Load Rating	Test Condition	Open/Close Cycle Tested
500 lb.	18" slide in 18" width drawer	10,000
400 lb.	18" slide in 42" width drawer	30,000
300 lb.	18" slide in 36" width drawer	75,000
100 lb. flat load	18" slide in 32" width drawer	10,000

Note: This slide must never be used as a pull-out step, platform, or any other application supporting human weight as injury may result.

# 8908, 8909, 8910 Extra Heavy-Duty Full Extension Locking Drawer Slides



## Features

- Automatic lock-in/lock-out feature
- Intuitive uni-directional release/closure
- Removable, ergonomic handle
- Spring-activated latches for vertical and horizontal mounting
- Non-disconnect

**8908:** Extra Heavy-Duty full extension lock-in/lock-out slide

**8909:** Extra Heavy-Duty full extension lock-out only slide

**8910:** Extra Heavy-Duty full extension lock-in only slide

**Mounting:** Side or flat mount

**Action:** Telescopic movement on ball-bearings

**Load Rating:** 100–500 lb. class depending on application

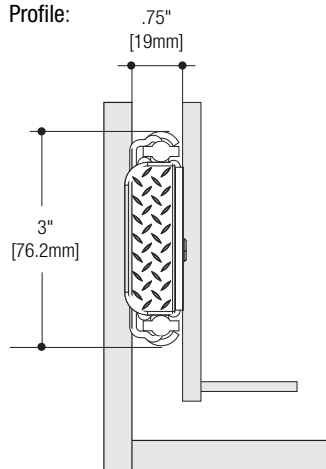
- 100 lb. flat mount rating

**Height:** 3" [76.2mm]

**Clearance:** .75" + .03" - 0" on each side

**Finish:** Zinc (ZC)

**Profile:**



## Configurations

Bulk (B)	10" – 20": 8 slides per carton without screws 22" – 28": 6 slides per carton without screws 30" – 36": 4 slides per carton without screws 40", 42", 44", 48", 60": 2 slides per carton without screws Each slide is poly-bagged with instructions included Sold per slide, not pair		
8908, 8909 & 8910 Zinc (ZC) Finish			
Size	8908 Lock-in/Lock-out	8909 Lock-out Only	8910 Lock-in Only
10"	–	8909B 10	8910B 10
12"	8908B 12	8909B 12	8910B 12
14"	8908B 14	8909B 14	8910B 14
16"	8908B 16	8909B 16	8910B 16
18"	8908B 18	8909B 18	8910B 18
20"	8908B 20	8909B 20	8910B 20
22"	8908B 22	8909B 22	8910B 22
24"	8908B 24	8909B 24	8910B 24
26"	8908B 26	8909B 26	8910B 26
28"	8908B 28	8909B 28	8910B 28
30"	8908B 30	8909B 30	8910B 30
32"	8908B 32	8909B 32	8910B 32
34"	8908B 34	8909B 34	8910B 34
36"	8908B 36	8909B 36	8910B 36
40"	8908B 40	8909B 40	8910B 40
42"	8908B 42	8909B 42	8910B 42
44"	8908B 44	8909B 44	8910B 44
48"	8908B 48	8909B 48	8910B 48
60"	8908B 60	8909B 60	8910B 60

Note: This slide must never be used as a pull-out step, platform, or any other application supporting human weight as injury may result.

Note: The 8908 slide is designed for applications in the 100 – 500 lb. class based on application: modest use 500 lbs.; normal use 400 lbs.; vehicular use 300 lbs.; flat mount 100 lbs..

■ Non-stock item – minimum order quantities and additional lead time may apply.



## Specialty Drawer Slides

6300 Corrosion Resistant Finish Drawer Slide . . . . .	61
6400 Stainless Steel Drawer Slide . . . . .	62
8000 Over Travel Undermount Pantry Drawer Slide . . . . .	63
8500T, 8505T, 8520T, 8525T Lateral File Drawer Systems . . . . .	64

	Type	Extension	Disconnect Type				Open/Close Features								
			Ball-Bearing 3/4 Extension	Full Extension 1" Over Travel	No Disconnect	Friction Release	Lever Release	Lift Out	Quick Disconnect	Hold In Anti-Rebound	Hold-Out / Open	Lock Open	Self-Close	Push-to-Open	Soft-Close
6300	Side	100	•	•			•		•						
6400	Side	100	•	•			•		•						
8000	Under	130	•	•				•	•						
8500T	Side	150	•	•					•	•					
8505T	Side	150	•	•					•	•					
8520T	Side	175	•	•					•	•					
8825T	Side	175	•	•					•	•					

## 6300 Corrosion Resistant Finish Drawer Slide



### Features

- Corrosion Resistant Finish
- USDA H-1 approved grease
- 32mm hole pattern
- Lever disconnect for easy drawer removal
- Hold-in detent
- Non-handed design
- Recommended maximum drawer width 24"

### Stainless Steel Components

- Ball-Bearing Retainer
- Ball-Bearings
- Release Lever Rivets
- Fasteners (included)

**Mounting:** Side

**Action:** Telescopic movement on ball-bearings

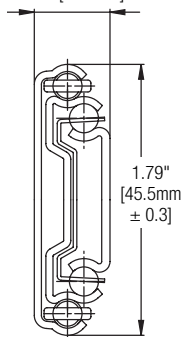
**Load Rating:** 100 lb. class

**Height:** 1.79" [45.5mm]

**Clearance:** .50" + .03" - 0" on each side

**Finish:** Corrosion Resistant (CR)

**Profile:** .50" [12.7mm]



### Configurations



Poly (P)	1 pair per bag with screws; 10 pair per carton
6300 Corrosion Resistant (CR) Finish	
Size	Poly (P)
250mm	6300P CR 10
300mm	6300P CR 12
350mm	6300P CR 14
400mm	6300P CR 16
450mm	6300P CR 18
500mm	6300P CR 20
550mm	6300P CR 22
600mm	6300P CR 24
650mm	6300P CR 26
700mm	6300P CR 28

### Recommended Fasteners



#7 x 1/2" Stainless Steel Phillips Pan Head

### Mounting Brackets



Product	Front or Rear	Finish	Pack
6340 RB	Rear	Corrosion Resistant (CR)	10 pair/carton

## 6400 Stainless Steel Drawer Slide



### Features

- 304-Grade stainless steel
- Ideal for use in wet or corrosive environments
- USDA H-1 approved grease
- Lever disconnect
- Recommended drawer width 24"

**Mounting:** Side

**Action:** Telescopic movement on ball-bearings

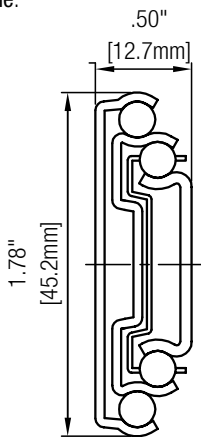
**Load Rating:** 100 lb. class

**Height:** 1.78" [45.2mm]

**Clearance:** .50" + .03" - 0" on each side

**Finish:** Stainless Steel (SS)

**Profile:**



### Configurations



Poly (P)	1 pair per bag with screws; 10 pairs per carton
<b>6400 Stainless Steel (SS) Finish</b>	
<b>Size</b>	<b>Poly (P)</b>
10"	6400P SS 10
12"	6400P SS 12
14"	6400P SS 14
16"	6400P SS 16
18"	6400P SS 18
20"	6400P SS 20
22"	6400P SS 22
24"	6400P SS 24
26"	6400P SS 26
28"	6400P SS 28

### Recommended Fasteners

	#8 x 1/2" Stainless Steel Pan Head Screws
---	---

# 8000 Over Travel Undermount Pantry Drawer Slide



Removable  
Mounting Brackets

## Features

- Removable mounting brackets
- Hold-in detent
- Key-hole style mounting holes
- 1" over travel

**Mounting:** Bottom mount

**Action:** Telescopic movement on ball-bearings

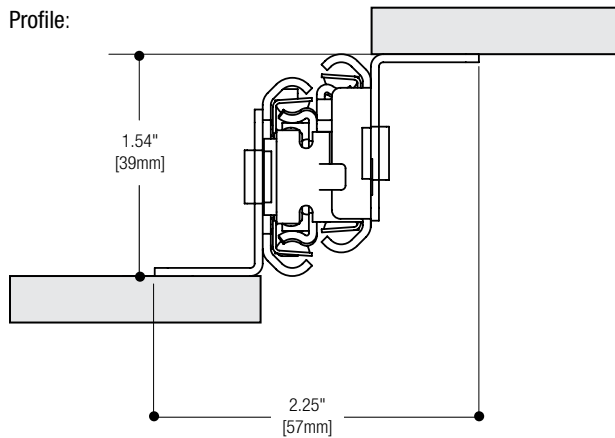
**Load Rating:** 130 lb. class

**Height:** 1.54" [39mm]  
2.25" [57mm] (includes brackets)

**Clearance:** 3/4" (slide only); 2-1/4" (with brackets)


**Finish:** Anochrome (ANO)

**Profile:**



## Configurations

Poly (P)	1 pair per bag with screws; 5 pairs per carton
<b>8000 Anochrome (ANO) Finish</b>	
<b>Size</b>	<b>Poly (P)</b>
12"	8000P 12
14"	8000P 14
16"	8000P 16
18"	8000P 18
20"	8000P 20
22"	8000P 22
24"	8000P 24
26"	8000P 26
28"	8000P 28

Recommended Fasteners	KV Part	Finish	Qty
 #8 x 5/8" Phillips Pan Head	200114-6	Zinc (ZC)	1000



# 8500T, 8505T, 8520T, 8525T Lateral File Drawer Systems



## Features

- Patented integrated anti-tilt mechanism
- Uses high-strength cable that laces through the drawer slides and snaps into place, allowing only one drawer to open at a time
- Accommodates drawers on 12" ( $\pm 1/2$ ") vertical centers
- Non-handed quick disconnect rail
- Designed for use on lateral file applications where a drawer anti-tilt feature is needed

**8500T:** Full extension slide with maximum 36" drawer width

**8505T:** 1.25" over travel slide max. 30" drawer width

**8520T:** Full extension slide with maximum 42" drawer width

**8525T:** 1.25" over travel slide max. 36" drawer width

**Mounting:** Side

**Action:** Progressive movement on ball-bearings

**Load Rating:** 8500T/8505T: 150 lb. class

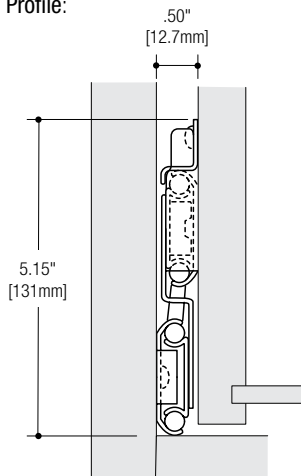
8520T/8525T: 175 lb. class

**Height:** 5.15" [131mm]

**Clearance:** .50" + .03" - 0" on each side


**Finish:** Anochrome (ANO), Ebony Black (EB)

**Profile:**



## Configurations

Quantity (Q)	20 pairs without screws; multiple cartons
<b>8500T Anochrome (ANO) Finish</b>	
<b>Size</b>	<b>Quantity (Q)</b>
16"	8500TQ 16
18"	8500TQ 18
20"	8500TQ 20
<b>8505T Anochrome (ANO) Finish</b>	
16"	8505TQ 16
18"	8505TQ 18
20"	8505TQ 20
<b>Special Order Only</b>	
8520T	Special Order
8525T	Special Order

Recommended Fasteners		KV Part	Finish	Qty
	#7 x 1/2" Phillips Pin Head Screws	8500-93	Zinc (ZC)	1000
		8500-93 EB	Ebony Black (EB)	1000

Non-stock item – minimum order quantities and additional lead time may apply.

## 8500 Interlok™ Cable Accessory

Required for 8500T, 8505T, 8520T and 8525T Interlok anti-tilt systems.

Product	Size	Packed
8500T-11B 482	For 2-high lateral files	40 per carton
8500T-11B 789	For 3-high lateral files	40 per carton
8500T-11B 1095	For 4-high lateral files	40 per carton

Note: Custom length cables are available as special order. Consult Customer Service for information and availability.



# Overhead Door and Desk Slides

- 4461D 5/8 Extension Variable Height Keyboard Slide ..... 66
- 8100 3/4 Extension Keyboard Slide ..... 67
- 8150, 8157 3/4 Extension Variable Height Keyboard Slides..... 68
- 8200 3/4 Extension Pencil or Center Drawer Slide ..... 69
- 8250 3/4 Extension Variable Height Pencil or Center Drawer Slide..... 70
- 8040, 8041, 8042, 8043, 8044, 8045 Hinged Door Slides..... 71
- 8050 Hinged Door Slide ..... 72

	Mounting Style	Load Class	Type	Extension	Disconnect Type				Open/Close Features										
					Ball-Bearing	5/8 Extension	3/4 Extension	Full Extension	1" Over Travel	No Disconnect	Friction Release	Lever Release	Lift Out	Quick Disconnect	Hold In Anti-Rebound	Hold-Out / Open	Lock Open	Self-Close	Push-to-Open
4461D	Under	75		•	•							•	•						•
8100	Under	75		•		•						•	•						
8150	Under	75		•		•				•		•	•						
8157	Under	75		•		•				•		•	•						•
8200	Under	75		•		•					•	•							
8250	Under	75		•		•				•		•							

# 4461D 5/8 Extension Variable Height Keyboard Slide



## Features

- Mounting brackets adjust to three heights and can be reversed for in-board and out-board mounting
- Anti-rebound stay-close design holds pencil drawer in closed position yet allows for easy opening
- Integrated shelf tabs

**Mounting:** Under surface

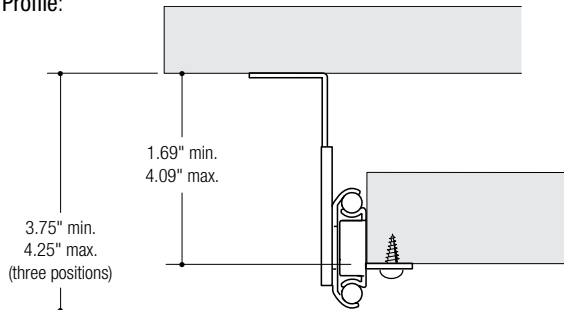
**Action:** Ball-bearing movement

**Load Rating:** 75 lb. class

**Height:** Overall drop height 3.75" to 4.25" in 1/2" increments


**Finish:** Black (BLK)

**Profile:**



## Configurations

Poly (P)	1 pair per bag with screws; 5 pairs per carton
<b>4461D Black (BLK) Finish</b>	
<b>Size</b>	<b>Poly (P)</b>
15"	4461D

<b>Recommended Fasteners</b>	
	#10 x 5/8" Phillips Pan Head

# 8100 3/4 Extension Keyboard Slide



## Features

- Hold-out feature keeps drawer securely in the open position
- Hold-in feature prevents keyboard tray bounce back

**Mounting:** Under surface

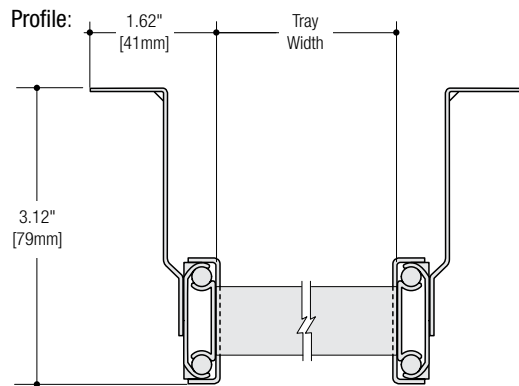
**Action:** Ball-bearing movement

**Load Rating:** 75 lb. class

**Height:** 3.12" [79mm] overall drop height


**Clearance:** 1.62" [41mm] per side

**Finish:** Anochrome (ANO)



## Configurations

Poly (P)	1 pair per bag with screws; 10 pairs per carton
<b>8100 Anochrome (ANO) Finish</b>	
<b>Size</b>	<b>Poly (P)</b>
14"	8100P 14
16"	8100P 16
18"	8100P 18
20"	8100P 20

Recommended Fasteners	KV Part	Finish	Qty
 #7 x 1/2" Phillips Pan Head	8500-93	Zinc (ZC)	1000

# 8150, 8157 3/4 Extension Variable Height Keyboard Slide



## Features

- Mounting brackets adjust to seven different heights and can be reversed for in-board/out-board mounting
- Track member quickly disconnects using positive lever release, easing installation
- Hold-out feature keeps drawer securely in the open position
- Hold-in feature prevents keyboard tray bounce back

**8150:** 3/4 extension keyboard slide

**8157:** 3/4 extension keyboard slide with shelf tabs

**Mounting:** Under surface

**Action:** Ball-bearing movement

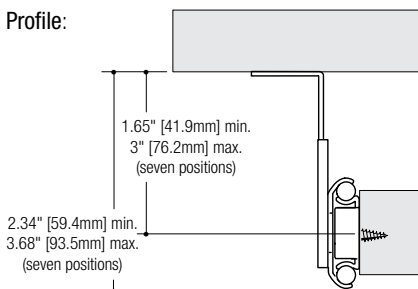
**Load Rating:** 75 lb. class

**Height:** Overall drop height adjusts from 2.34" [59.4mm] to 3.68" [93.5mm] in 7/32" increments

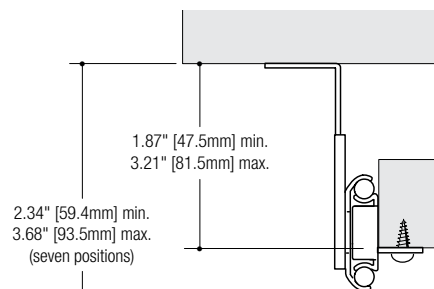
**Clearance:** 1.62" [41mm] per side out-board  
.62" [15.7mm] per side in-board

**Finish:** Anochrome (ANO), Ebony Black (EB)

### Profile:



8150



8157

## Configurations



Poly (P)	1 pair per bag with screws; 10 pairs per carton	
Quantity (Q)	20 pairs without screws; multiple cartons	
<b>8150 Anochrome (ANO) Finish</b>		
<b>Size</b>	<b>Poly (P)</b>	<b>Quantity (Q)</b>
12"	8150P 12	8150Q 12
14"	8150P 14	8150Q 14
16"	8150P 16	8150Q 16
18"	8150P 18	8150Q 18
20"	8150P 20	8150Q 20
22"	–	8150Q 22
<b>8150 Ebony Black (EB) Finish</b>		
12"	8150P EB 12	–
14"	8150P EB 14	8150Q EB 14
16"	8150P EB 16	8150Q EB 16
18"	8150P EB 18	8150Q EB 18
20"	8150P EB 20	8150Q EB 20
<b>8157 Anochrome (ANO) Finish</b>		
14"	8157P 14	–
16"	8157P 16	–
18"	8157P 18	–
20"	8157P 20	–
<b>8157 Ebony Black (EB) Finish</b>		
14"	8157P EB 14	–
16"	8157P EB 16	–
18"	8157P EB 18	–
20"	8157P EB 20	–

Recommended Fasteners		KV Part	Finish	Qty
	#7 x 1/2" Phillips Pan Head	8500-93	Zinc (ZC)	1000

☐ Non-stock item – minimum order quantities and additional lead time may apply.

# 8200 3/4 Extension Pencil or Center Drawer Slide



## Features

- Quick disconnect drawer members
- Anti-rebound stay-close design holds pencil drawer in closed position yet allows for easy opening

**Mounting:** Under surface

**Action:** Ball-bearing movement

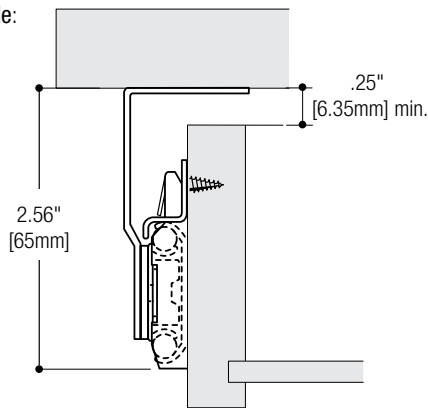
**Load Rating:** 75 lb. class

**Height:** 2.56" [65mm] overall

**Clearance:** 1.62" [41mm] per side out-board  
.62" [15.7mm] per side in-board


**Finish:** Anochrome (ANO), Ebony Black (EB)

**Profile:**



## Configurations

Poly (P)	1 pair per bag with screws; 10 pairs per carton	
Quantity (Q)	20 pairs without screws; multiple cartons	
<b>8200 Anochrome (ANO) Finish</b>		
<b>Size</b>	<b>Poly (P)</b>	<b>Quantity (Q)</b>
12"	8200P 12	8200Q 12
14"	8200P 14	8200Q 14
16"	8200P 16	8200Q 16
18"	8200P 18	8200Q 18
20"	8200P 20	8200Q 20
22"	8200P 22	8200Q 22
24"	8200P 24	8200Q 24
<b>8200 Ebony Black (EB) Finish</b>		
12"	–	8200Q EB 12
14"	–	8200Q EB 14
16"	–	8200Q EB 16
18"	–	8200Q EB 18
20"	–	8200Q EB 20
22"	–	8200Q EB 22
24"	–	8200Q EB 24

Recommended Fasteners		KV Part	Finish	Qty
	#7 x 1/2" Phillips Pan Head	8500-93	Zinc (ZC)	1000

☐ Non-stock item – minimum order quantities and additional lead time may apply.

# 8250 3/4 Extension Variable Height Pencil or Center Drawer Slide



## Features

- Mounting brackets adjust to seven heights and can be reversed for in-board and out-board mounting
- Anti-rebound stay-close design holds pencil drawer in closed position yet allows for easy opening
- Track member quickly disconnects using positive lever releases

**Mounting:** Under surface

**Action:** Ball-bearing movement

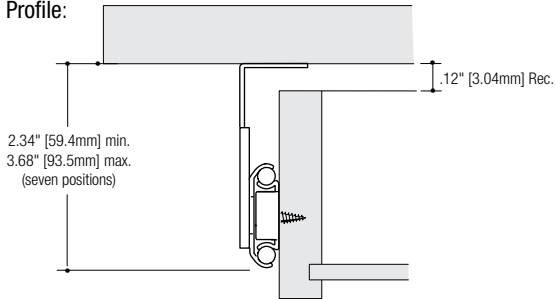
**Load Rating:** 75 lb. class

**Height:** Overall drop height 2.34" [59.4mm] to 3.68" [93.5mm] in 7/32" increments

**Clearance:** 1.62" [41mm] per side out-board  
.53" [13.5mm] per side in-board

**Finish:** Anochrome (ANO), Ebony Black (EB)


## Profile:



## Configurations



Poly (P)	1 pair per bag with screws; 10 pairs per carton	
Quantity (Q)	20 pairs without screws; multiple cartons	
<b>8250 Anochrome (ANO) Finish</b>		
<b>Size</b>	<b>Poly (P)</b>	<b>Quantity (Q)</b>
10"	8250P 10	8250Q 10
12"	8250P 12	8250Q 12
14"	8250P 14	8250Q 14
16"	8250P 16	8250Q 16
18"	8250P 18	8250Q 18
20"	8250P 20	8250Q 20
22"	8250P 22	8250Q 22
<b>8250 Ebony Black (EB) Finish</b>		
12"	–	8250Q EB 12
14"	–	8250Q EB 14
16"	–	8250Q EB 16
18"	–	8250Q EB 18
20"	–	8250Q EB 20
22"	–	8250Q EB 22
24"	–	8250Q EB 24

Recommended Fasteners		KV Part	Finish	Qty
	#7 x 1/2" Phillips Pan Head	8500-93	Zinc (ZC)	1000

■ Non-stock item – minimum order quantities and additional lead time may apply.

# 8040, 8041, 8042, 8043, 8044, 8045 Hinged Door Slides



## Features

- One piece, non-marring roller
- Permanently staked hinge pin

- 8040EZ: 3/4" offset hinge  
 8041EZ: 3/4" offset hinge and mounting brackets  
 8042EZ: 1" offset hinge  
 8043EZ: 1" offset hinge and mounting brackets  
 8044EZ: 3/4" straight hinge  
 8045EZ: 3/4" straight hinge and mounting brackets

**Mounting:** Hinge mounts to top of case, and the slide mounts to backside of door

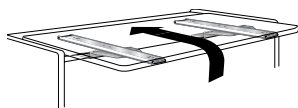
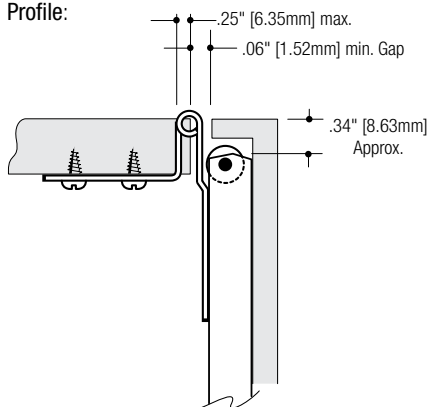
**Action:** Ball-bearing movement

**Load Rating:** 20 lb. class

**Clearance:** .37" [9.5mm] low profile mounts to rear side of door


**Finish:** Anochrome (ANO), Ebony Black (EB)

## Profile:



Up and over application

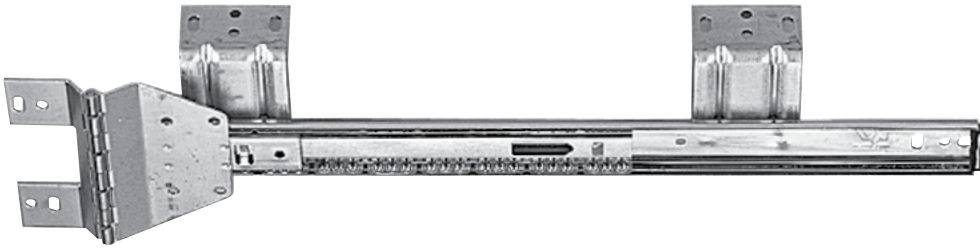
## Configurations

Bulk (B)	10 pairs per carton without screws			
Poly (P)	1 pair per bag with screws; 10 pairs per carton			
<b>8040 Anochrome (ANO) Finish</b>				
<b>Size</b>	<b>Bulk (B)</b>			<b>Poly (P)</b>
12"	8040BEZ 12			8040PEZ 12
14"	8040BEZ 14			8040PEZ 14
16"	8040BEZ 16			8040PEZ 16
18"	8040BEZ 18			8040PEZ 18
20"	8040BEZ 20			8040PEZ 20
22"	8040BEZ 22			8040PEZ 22
24"	8040BEZ 24			8040PEZ 24
<b>8040 Ebony Black (EB) Finish</b>				
12"	8040BEZ EB 12			8040PEZ EB 12
14"	8040BEZ EB 14			8040PEZ EB 14
16"	8040BEZ EB 16			8040PEZ EB 16
18"	8040BEZ EB 18			8040PEZ EB 18
20"	8040BEZ EB 20			8040PEZ EB 20
22"	8040BEZ EB 22			8040PEZ EB 22
24"	8040BEZ EB 24			8040PEZ EB 24
<b>8041-8045 Anochrome (ANO) Special Order Products</b>				
8041EZ	8042EZ	8043EZ	8044EZ	8045EZ
<b>8041-8045 Ebony Black (EB) Special Order Products</b>				
8041EZ EB	8042EZ EB	8043EZ EB	8044EZ EB	8045EZ EB
<b>Recommended Fasteners</b>		<b>KV Part</b>	<b>Finish</b>	<b>Qty</b>
 #7 x 1/2" Phillips Pan Head		8500-93	Zinc (ZC)	1000

☐ Non-stock item – minimum order quantities and additional lead time may apply.



# 8050 Hinged Door Slide



## Features

- One-piece, non-marring roller
- Permanently staked hinge pin

**Mounting:** Under surface

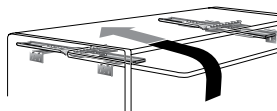
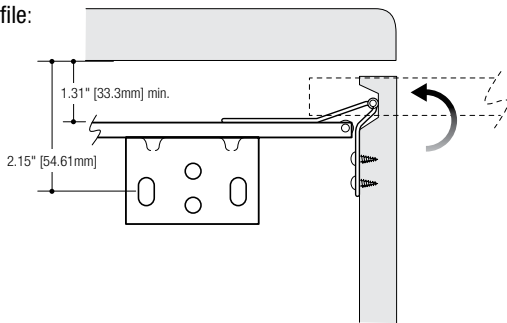
**Action:** Ball-bearing movement

**Load Rating:** 20 lb. class

**Clearance:** 1.31" [33.3mm] minimum

**Finish:** Anochrome (ANO)


## Profile:



Up and under application

## Configurations

Poly (P)	1 pair per bag with screws; 10 pairs per carton	
Quantity (Q)	20 pairs without screws; multiple cartons	
8050 Anochrome (ANO) Finish		
Size	Poly (P)	Quantity (Q)
12"	8050PEZ 12	8050QEZ 12
14"	8050PEZ 14	8050QEZ 14
16"	8050PEZ 16	8050QEZ 16
18"	8050PEZ 18	8050QEZ 18
20"	8050PEZ 20	8050QEZ 20
22"	8050PEZ 22	8050QEZ 22
24"	8050PEZ 24	8050QEZ 24

Recommended Fasteners		KV Part	Finish	Qty
	#7 x 1/2" Phillips Pan Head	8500-93	Zinc (ZC)	1000

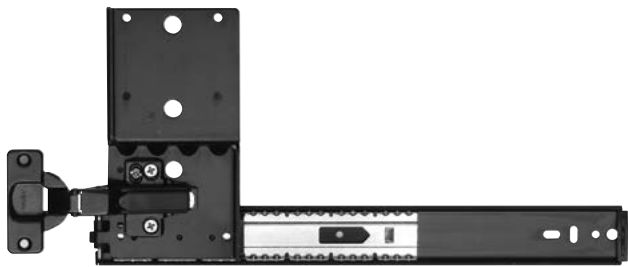
Non-stock item – minimum order quantities and additional lead time may apply.



## *Door Slides and Hinge Kits*

8070, 8071, 8072 Pivot Door Slides .....	74
8080, 8081, 8082 Pivot Door Slides .....	75
8091, 8092 Pivot Door Slides .....	76
4x4 Pocket Door Full Overlay Kit .....	77
Salice Hinge Kits .....	78

# 8070, 8071, 8072 Pivot Door Slides



## Features

- Cabinet acts as installation jig
- Cushioned stops and door hold-out
- Three-way adjustable door hinge

8070: 3/4 extension slide with self-close 35mm hinge

8071: 3/4 extension slide without hinge and base

8072: 3/4 extension slide with included hinge base

Mounting: Side

Action: Ball-bearing movement

Load Rating: 30 lb. class

Maximum

Dimensions: Vertical doors: 42" high x 24" wide

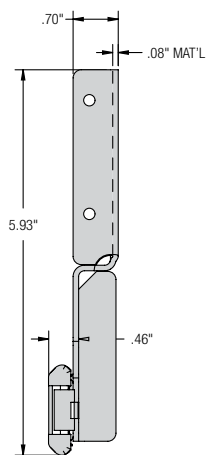
Horizontal pivot doors: 24" high x 48" wide

Clearance:

Maximum Slide Width Including Hinges		
Type	Standard	Salice
Self-close hinge	1-23/32"	1-21/32"
Free-swing hinge	1-23/32"	1-21/32"
Overlay hinge	1-23/32"	1-7/8"
Thick door hinge	2-3/32"	-
Extra-thick door hinge	2-13/32"	2-5/16"

Finish: Ebony Black (EB)

Profile:



## 8090P CR Raised Panel Cassette Roller




Additional protection for raised panel doors

Product	Pack
8090P CR	1 per poly pack with screws; 20 per carton

## Configurations

Poly (P)					
1 pair per bag with screws; 10 pairs per carton					
8070EZ Ebony Black (EB)		8071EZ Ebony Black (EB)		8072EZ Ebony Black (EB)	
Includes standard 3/4 inset hinge and baseplate		Hinges and baseplates are not included		Baseplate included; Must order hinges separately	
Size	Poly (P)	Size	Poly (P)	Size	Poly (P)
12"	8070PEZ EB 12	12"	8071PEZ EB 12	12"	8072PEZ EB 12
14"	8070PEZ EB 14	14"	8071PEZ EB 14	14"	8072PEZ EB 14
16"	8070PEZ EB 16	16"	8071PEZ EB 16	16"	8072PEZ EB 16
18"	8070PEZ EB 18	18"	8071PEZ EB 18	18"	8072PEZ EB 18
20"	8070PEZ EB 20	20"	8071PEZ EB 20	20"	8072PEZ EB 20
22"	8070PEZ EB 22	22"	8071PEZ EB 22	22"	8072PEZ EB 22
24"	8070PEZ EB 24	24"	8071PEZ EB 24	24"	8072PEZ EB 24

Recommended Fasteners		KV Part	Finish	Qty
	#6 x 13/32" Phillips Pan Head	1300-83	Zinc (ZC)	1000

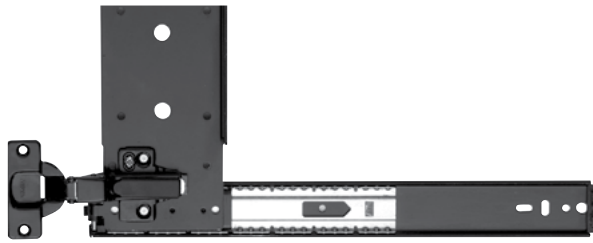
## Hinge Kit Options



Hinge Kit (K)		2 hinges per kit; 10 kits per carton			
Nickel Hinges (For Use with 8072)					
Kit (K)	Hinge Cup Size	Door Thickness	Application		
8080 HKEZS	35 mm	3/4"	Inset		
8080 HKEZL	40 mm	3/4"	Overlay		
8080 HKEZF	35 mm	3/4"	Inset - Free Swing		
8085 HKEZT	40 mm	1"	Inset - Thick Door		
8086 HKEZX	40 mm	1-1/4"	Inset - Extra Thick Door		
Ebony Black (EB) Hinges (For Use with 8072)					
Kit (K)	Hinge Cup Size	Door Thickness	Application		
8080 HKEZSEB	35 mm	3/4"	Inset		
8080 HKEZLEB	40 mm	3/4"	Overlay		
8085 HKEZTEB	40 mm	1"	Inset - Thick Door		
8086 HKEZXEB	40 mm	1-1/4"	Inset - Extra Thick Door		
Salice Hinges (For Use with 8071) Nickel Finish (hinge base included)					
Kit (K)	Hinge Cup Size	Door Thickness	Application		
8080 HKS SAL	35 mm	3/4"	Inset		
8080 HKF SAL	35 mm	3/4"	Inset - Free Swing		
8080 HKL SAL	40 mm	3/4"	Overlay		
8086 HKX SAL	40 mm	1-1/4"	Inset - Thick Door		
Salice Hinges (For Use with 8071) Ebony Black (EB) Finish (hinge base included)					
Kit (K)	Hinge Cup Size	Door Thickness	Application		
8080 HKS SAL EB	35 mm	3/4"	Inset		
8080 HKL SAL EB	40 mm	3/4"	Overlay		
8086 HKX SAL EB	40 mm	1-1/4"	Inset - Thick Door		

For additional information on our salice hinge offerings please see page 67.

# 8080, 8081, 8082 Pivot Door Slides



## Features

- Cushioned stops and door hold-out
- Three-way adjustable door hinge

8080: 3/4 extension slide with self-close 35mm hinge

8081: 3/4 extension slide without hinge and base

8082: 3/4 extension slide with attached hinge base

Mounting: Side

Action: Ball-bearing movement

Load Rating: 30 lb. class

### Maximum

Dimensions: Vertical doors: 42" high x 24" wide

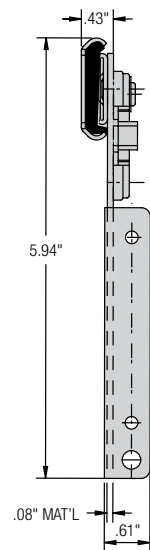
Horizontal pivot doors: 24" high x 48" wide

### Clearance:

Maximum Slide Width Including Hinges		
Type	Standard	Salice
Self-close hinge	1-23/32"	1-21/32"
Free-swing hinge	1-23/32"	1-21/32"
Overlay hinge	1-23/32"	1-7/8"
Thick door hinge	2-3/32"	-
Extra-thick door hinge	2-13/32"	2-5/16"

Finish: Anochrome (ANO) Ebony Black (EB)

### Profile:



## 8090P CR Raised Panel Cassette Roller



Additional protection for raised panel doors

Product	Pack
8090P CR	1 per poly pack with screws; 20 per carton

## Configurations



Poly (P)					
1 pair per bag with screws; 10 pairs per carton					
8080EZ Anochrome (ANO)		8081EZ Anochrome (ANO)		8082EZ Anochrome (ANO)	
Includes hinges and bases		No hinges or bases		Hinge base only	
Size	Poly (P)	Size	Poly (P)	Size	Poly (P)
12"	8080PEZ 12	12"	8081PEZ 12	12"	8082PEZ 12
14"	8080PEZ 14	14"	8081PEZ 14	14"	8082PEZ 14
16"	8080PEZ 16	16"	8081PEZ 16	16"	8082PEZ 16
18"	8080PEZ 18	18"	8081PEZ 18	18"	8082PEZ 18
20"	8080PEZ 20	20"	8081PEZ 20	20"	8082PEZ 20
22"	8080PEZ 22	22"	8081PEZ 22	22"	8082PEZ 22
24"	8080PEZ 24	24"	8081PEZ 24	24"	8082PEZ 24
8080EZ Ebony Black (EB)		8081EZ Ebony Black (EB)		8082EZ Ebony Black (EB)	
12"	8080PEZ EB 12	12"	8081PEZ EB 12	12"	8082PEZ EB 12
14"	8080PEZ EB 14	14"	8081PEZ EB 14	14"	8082PEZ EB 14
16"	8080PEZ EB 16	16"	8081PEZ EB 16	16"	8082PEZ EB 16
18"	8080PEZ EB 18	18"	8081PEZ EB 18	18"	8082PEZ EB 18
20"	8080PEZ EB 20	20"	8081PEZ EB 20	20"	8082PEZ EB 20
22"	8080PEZ EB 22	22"	8081PEZ EB 22	22"	8082PEZ EB 22
24"	8080PEZ EB 24	24"	8081PEZ EB 24	24"	8082PEZ EB 24

Recommended Fasteners	KV Part	Finish	Qty
#6 x 13/32" Phillips Pan Head	1300-83	Zinc (ZC)	1000

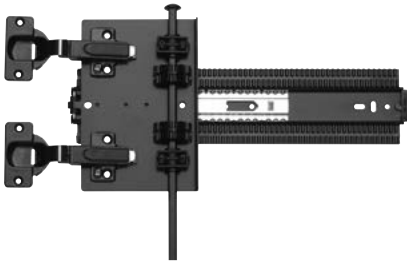
## Hinge Kit Options



Hinge Kit (K)			
2 hinges per kit; 10 kits per carton			
Nickel Hinges (For Use with 8082P and 8082Q)			
Kit (K)	Hinge Cup Size	Door Thickness	Application
8080 HKEZS	35 mm	3/4"	Inset
8080 HKEZL	40 mm	3/4"	Overlay
8080 HKEZF	35 mm	3/4"	Inset - Free Swing
8085 HKEZT	40 mm	1"	Inset - Thick Door
8086 HKEZX	40 mm	1-1/4"	Inset - Extra Thick Door
Ebony Black (EB) Hinges (For Use with 8082P and 8082Q)			
Kit (K)	Hinge Cup Size	Door Thickness	Application
8080 HKEZSEB	35 mm	3/4"	Inset
8080 HKEZLEB	40 mm	3/4"	Overlay
8085 HKEZTEB	40 mm	1"	Inset - Thick Door
8086 HKEZXE	40 mm	1-1/4"	Inset - Extra Thick Door
Salice Hinges (For Use with 8081P) Nickel Finish (hinge base included)			
Kit (K)	Hinge Cup Size	Door Thickness	Application
8080 HKS SAL	35 mm	3/4"	Inset
8080 HKF SAL	35 mm	3/4"	Inset - Free Swing
8080 HKL SAL	40 mm	3/4"	Overlay
8086 HKX SAL	40 mm	1-1/4"	Inset - Thick Door
Salice Hinges (For Use with 8081P) Ebony Black (EB) Finish (hinge base included)			
Kit (K)	Hinge Cup Size	Door Thickness	Application
8080 HKS SAL EB	35 mm	3/4"	Inset
8080 HKL SAL EB	40 mm	3/4"	Overlay
8086 HKX SAL EB	40 mm	1-1/4"	Inset - Thick Door

For additional information on our salice hinge offerings please see page 67.

# 8091, 8092 Pivot Door Slides



## Features

- Rack and pinion design
- Multiple hinge options
- Greatly reduces door sag

8091: Hinge and baseplate not included  
 8092: Baseplate attached; hinge must be ordered separately

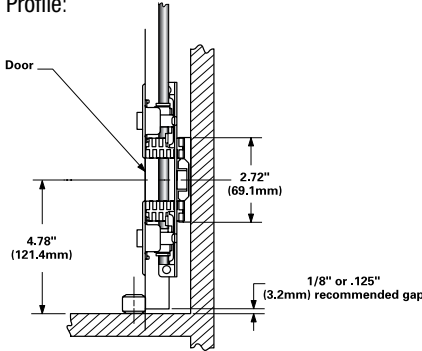
Mounting: Side  
 Action: Ball-bearing movement  
 Load Rating: 75 lb. class

Maximum Dimensions: Vertical doors: 72" high x 26" wide  
 Clearance:

Maximum Slide Width Including Hinges		
Type	Standard	Salice
Self-close hinge	1-23/32"	1-21/32"
Free-swing hinge	1-23/32"	1-21/32"
Overlay hinge	1-23/32"	1-7/8"
Thick door hinge	2-3/32"	—
Extra-thick door hinge	2-13/32"	2-5/16"

Finish: Ebony Black (EB)

Profile:



## 8090P CR Raised Panel Cassette Roller



Additional protection for raised panel doors

Product	Pack
8090P CR	1 per poly pack with screws; 20 per carton

## Configurations

8091 Ebony Black (EB)		8092 Ebony Black (EB)	
Size	Poly (P)	Size	Poly (P)
12"	8091P EB 12	12"	8092P EB 12
13"	8091P EB 13	13"	8092P EB 13
14"	8091P EB 14	14"	8092P EB 14
15"	8091P EB 15	15"	8092P EB 15
16"	8091P EB 16	16"	8092P EB 16
18"	8091P EB 18	18"	8092P EB 18
20"	8091P EB 20	20"	8092P EB 20
22"	8091P EB 22	22"	8092P EB 22
24"	8091P EB 24	24"	8092P EB 24
26"	8091P EB 26	26"	8092P EB 26
28"	8091P EB 28	28"	8092P EB 28
30"	8091P EB 30	30"	8092P EB 30

Recommended Fasteners	KV Part	Finish	Qty
#6 x 13/32" Phillips Pan Head	1300-83	Zinc (ZC)	1000

## Hinge Kit Options



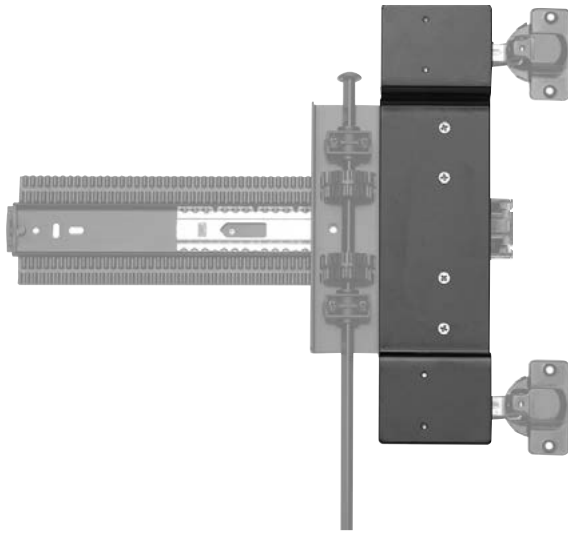
Hinge Kit (K)		2 hinges per kit; 10 kits per carton	
Nickel Hinges (For Use with 8092)			
Kit (K)	Hinge Cup Size	Door Thickness	Application
8080 HKEZS	35 mm	3/4"	Inset
8080 HKEZL	40 mm	3/4"	Overlay
8080 HKEZF	35 mm	3/4"	Inset - Free Swing
8085 HKEZT	40 mm	1"	Inset - Thick Door
8086 HKEZX	40 mm	1-1/4"	Inset - Extra Thick Door
Ebony Black (EB) Hinges (For Use with 8092)			
Kit (K)	Hinge Cup Size	Door Thickness	Application
8080 HKEZSEB	35 mm	3/4"	Inset
8080 HKEZLEB	40 mm	3/4"	Overlay
8085 HKEZTEB	40 mm	1"	Inset - Thick Door
8086 HKEZXE	40 mm	1-1/4"	Inset - Extra Thick Door
Salice Hinges (For Use with 8091) Nickel Finish (hinge base included)			
Kit (K)	Hinge Cup Size	Door Thickness	Application
8080 HKS SAL	35 mm	3/4"	Inset
8080 HKF SAL	35 mm	3/4"	Inset - Free Swing
8080 HKL SAL	40 mm	3/4"	Overlay
8086 HKX SAL	40 mm	1-1/4"	Inset - Thick Door
Salice Hinges (For Use with 8091) Ebony Black (EB) Finish (hinge base included)			
Kit (K)	Hinge Cup Size	Door Thickness	Application
8080 HKS SAL EB	35 mm	3/4"	Inset
8080 HKL SAL EB	40 mm	3/4"	Overlay
8086 HKX SAL EB	40 mm	1-1/4"	Inset - Thick Door

For additional information on our salice hinge offerings please see page 67.

## 8090B Pinion Shafts for 4x4 Pocket Door Slides

SB Pack (SB) - 1 pair of shafts		Bulk Pack (B) - 10 each	
8090B Pinion Shaft Ebony Black (EB) Finish			
Size	Bulk (B)	Quantity	
36"	8090B EB 36	10	
48"	8090B EB 48	10	
72"	8090B EB 72	10	
8092SB Pinion Shaft Ebony Black (EB) Finish			
36"	8092SB EB 36	2	
48"	8092SB EB 48	2	
72"	8092SB EB 72	2	

# 4x4 Pocket Door Full Overlay Kit



## Features

- Provides a full door overlay on doors up to .75" thick
- Does not compromise key performance features of 4x4 pocket door system
- Systems for both Mepla and Salice hinges

**Mounting:** Mounts directly to KV 8091 Series slide

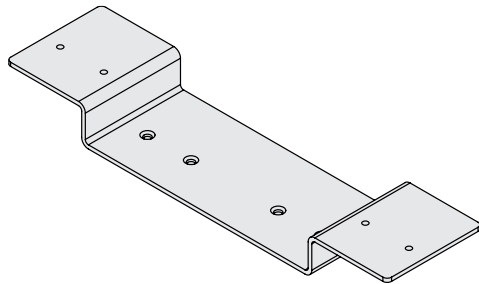
**Load Rating:** 75 lb. class

**Finish:** Black

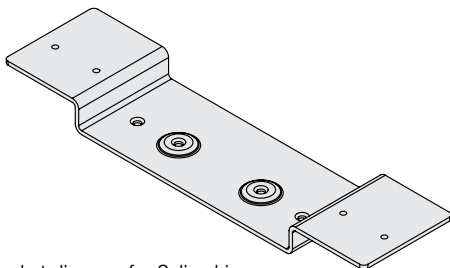
## Configurations

	Brackets	Overlay Hinges	Hinge Bases	Hinge Cover Base	Protective Felt Pads	Packed
Poly (P)	Qty: 2	Qty: 4	Qty: 4	Qty: 4	Qty: 4	6 kits/ carton
<b>8091 Full Overlay Pocket Door Kit Black (BLK) Finish</b>						
<b>Poly (P)</b>	<b>Hinge</b>					
8091FULL3/4 M	Mepla					
8091FULL3/4 S	Salice					

<b>8091 Full Overlay Pocket Door Kit Black (BLK) Finish</b>		
Door Thickness	Amount of Overlay	Pocket Width
3/4"	3/4"	1-3/4"
13/16"	11/16"	1-13/16"
7/8"	5/8"	1-7/8"
15/16"	9/16"	1-15/16"
1"	1/2"	2"
1-1/16"	7/16"	2-1/16"
1-1/8"	3/8"	2-1/8"
1-3/16"	5/16"	2-3/16"
1-1/4"	1/4"	2-1/4"



Bracket diagram for Mepla hinge

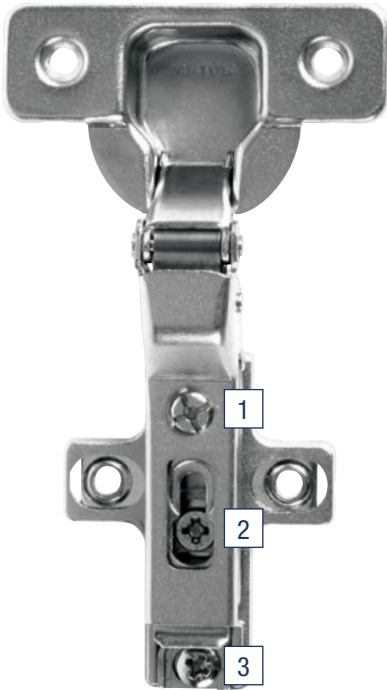


Bracket diagram for Salice hinge

## Full Overlay Kit Installation Requirements

- Overlay kits require the use of a KV 8091 series slide
- Overlay kits require the use of a pinion shaft
- Overlay kits require the use of a partition wall within the cabinet

# Salice Hinge Kits



1. **Depth Adjustment Cam**  
The horizontal (lateral) adjustment range is 6mm.  
The depth adjustment range is 3.1 mm (-0.5mm to +2.8mm) for all hinge bases.
2. **Horizontal (Lateral) Adjustment Cam**  
The horizontal (lateral) adjustment range is 6mm (-1.5mm to +4.5mm for 35mm cup hinges; -0.5mm to +5.5mm for 40mm cup hinges), while maintaining a constant gap behind the door.
3. **Vertical (Height) Adjustment Cam**  
The vertical (height) adjustment range is 4mm (-2mm to +2mm).

## Features

- Three-way cam hinges for easy adjustment
- Horizontal, vertical and depth changes can be made without loosening any screws
- Four types of hinges for a variety of application

**Clearance:** 8080 HKS standard hinge: 1-21/32"  
8080 HKF free swing hinge: 1-21/32"  
8080 HKL partial overlay hinge: 1-37/64"  
8080 HKX extra thick door hinge: 1-37/64"

**Finish:** Black (BLK), Nickel (NP)

## Configurations

Pack Configurations	Hinge Base	Hinges	Screws	Cover Caps
Kit (K) 2 per bag; 10 bags per carton	Yes	Yes	Yes	Yes
<b>Nickel (NP) Finish Salice Hinges for Use with 8071, 8081, 8091 Pocket Door Slides</b>				
Kit (K)	Hinge Cup Size	Door Thickness	Application	
8080 HKS SAL	35 mm	3/4"	Inset	
8080 HKF SAL	35 mm	3/4"	Inset - Free Swing	
8080 HKL SAL	40 mm	3/4"	Overlay	
8086 HKX SAL	40 mm	1-1/4"	Inset - Thick Door	
<b>Black (EB) Finish Salice Hinges for Use with 8071, 8081, 8091 Pocket Door Slides</b>				
Kit (K)	Hinge Cup Size	Door Thickness	Application	
8080 HKS SAL EB	35 mm	3/4"	Inset	
8080 HKL SAL EB	40 mm	3/4"	Overlay	
8086 HKX SAL EB	40 mm	1-1/4"	Inset - Thick Door	



# Shelving

Adjustable Wall Shelving Quick Reference Guide . . . . .	80	<b>Built-In Shelving and Shelf Supports . . . . .</b>	<b>99</b>
<b>Pilaster Shelving Systems . . . . .</b>	<b>81</b>	5mm Series Shelf Supports . . . . .	99
255/256 Series Mortise-Mount Pilaster Shelving Systems . . . . .	81	5mm Series Vinyl Coated Shelf Supports . . . . .	99
233/237 Series Surface-Mount Pilaster Shelving System . . . . .	83	1/4" Series Shelf Supports . . . . .	99
<b>Regular-Duty Adjustable Shelving Systems . . . . .</b>	<b>84</b>	5mm Series Grommets . . . . .	99
70/170 Regular-Duty Standard and Bracket System . . . . .	84	1/4" Series Grommets . . . . .	100
71/170 Regular-Duty Narrow Standard and Bracket System . . . . .	84	7/32" Series Shelf Supports . . . . .	100
80/180 Regular-Duty Standard and Bracket System . . . . .	85	<b>Utility Shelving Brackets . . . . .</b>	<b>101</b>
160LL/179/181 Series Specialty Brackets . . . . .	87	204 Series Heavy-Duty L-Bracket . . . . .	101
79/7980 Easy Installation Hang Rail . . . . .	88	206 Series Extra-Duty Folding L-Bracket . . . . .	101
<b>Heavy-Duty Adjustable Shelving Systems . . . . .</b>	<b>89</b>	208 Series Ultimate L-Bracket . . . . .	102
82/182 Series Heavy-Duty Standard and Bracket System . . . . .	89	221 Series Utility L-Bracket . . . . .	102
79/7982 Easy Installation Hang Rail . . . . .	90	<b>Decorative Shelving Brackets . . . . .</b>	<b>103</b>
83/183 Series Heavy-Duty Standard and Bracket System . . . . .	91	88 and 888 Series Wood Shelf Anchor . . . . .	103
161LL Heavy-Duty Lock Lever Bracket . . . . .	92	215 Series Slim-Line™ Shelf Bracket . . . . .	103
<b>Extra-Duty Adjustable Shelving System . . . . .</b>	<b>93</b>	216 Series Simplicity™ Shelf Bracket . . . . .	103
85/185 Series Extra-Duty Standard and Bracket System . . . . .	93	217 Series Silhouette™ Shelf Bracket . . . . .	103
<b>Super-Duty Adjustable Steel Shelving System . . . . .</b>	<b>95</b>	200 Series Designer Decorative Shelf Brackets . . . . .	105
1987 Series Galvanized Steel Shelving . . . . .	95	<b>Shelf Board . . . . .</b>	<b>106</b>
87/186/187 Series Super-Duty Standard and Bracket System . . . . .	95	1980 Series All-Purpose Shelf Board . . . . .	106
1987 Series Stainless Steel Shelving . . . . .	97		
87/186/187 Super-Duty Stainless Steel Standard and Bracket System . . . . .	97		



# Adjustable Wall Shelving Quick Reference Guide

Knap and Vogt pioneered the development of the modern standards and bracket system of adjustable wall shelving, and we're still the leader in selection, quality and innovation. With one of the industry's widest selection of systems and component accessories, chances are we make a shelving system just right for you. To aid your selection process, we've created a comparison chart that lists the vital characteristics of our standards and bracket systems, as well as available finishes and accessories. If you still have questions or need more details, please contact KV Customer Service.

Part	Description	Features					Finish Options										Pack Options							
		1" Center Adjustment	1-1/4" Center Adjustment	2" Center Adjustment	Single Track	Double Track	Lock Lever	Almond (ALM)	Anochrome (ANO)	Black (BLK)	Brass-look (BR)	Brown (BRN)	Clear (CL)	Stainless Steel (SS)	Galvanized Steel (GALV)	Titanium (TI)	White (WH)	Zinc (ZC)	Economy Zinc (E)	Standard Pack	Builders Pack (BP)	Display Pack (DP)	Heavy Pack (HP)	
<b>70/170 Regular-Duty Adjustable Standard and Bracket System</b>																								
70	Standard	•			•														•	•				
170E	Bracket	•			•														•	•				
<b>71/170 Regular-Duty Narrow Adjustable Standard and Bracket System</b>																								
71	Narrow Faced Standard	•			•			•													•			
170 ANO	Bracket	•			•			•													•			
<b>80/180 Regular-Duty Adjustable Standard and Bracket System</b>																								
79/7980	Hang Rail & Standard Link														•	•							•	
80	Standard	•			•		•	•	•	•	•				•	•					•	•		
180	Bracket	•			•		•	•	•	•	•				•	•					•	•		•
181	Lipless Bracket	•			•		•														•			
160LL	Lock Lever Bracket	•			•		•														•			
179	Adjustable Angle Bracket	•			•		•														•			
80-88	Screws/Anchors						•	•	•	•	•				•	•					•	•	•	
<b>82/182 Heavy-Duty Adjustable Standard and Bracket System</b>																								
79/7982	Hang Rail & Standard Link														•	•							•	
82	Standard	•			•		•	•							•	•					•	•		
182	Bracket	•			•		•	•							•	•					•	•		
182BE	Bookend	•			•											•					•			
82DP Screw	Screws/Anchors																	•					•	
182DP LCTR/JNR	Shelf Locater/Joiner											•											•	
182DP LOCK	Bracket Lock Tab	•			•			•															•	
<b>83/183 Oversized Heavy-Duty Adjustable Standard and Bracket System</b>																								
83 ANO	Oversized Standard	•			•		•														•			
183	Flange Bracket	•			•		•														•			
161LL	Lock Lever Bracket	•			•		•														•			
<b>85/185 Extra-Duty Adjustable Standard and Bracket System</b>																								
85	Standard	•			•		•								•						•			
185	Bracket	•			•		•								•						•			
106 ANO	Shelf Rest						•														•			
107 ANO	Hang Rod Clamp						•														•			
<b>87/187 Super-Duty Adjustable Standard and Bracket System</b>																								
87	Standard			•	•		•						•		•						•			
186LL	Lock Lever Bracket	•	•		•		•					•		•							•			
187LL	Lock Lever Bracket	•	•		•		•					•		•							•			
1987	Steel Shelves												•	•							•			

# 255™ /256™ Series Mortise-Mount Pilaster Shelving System

- Holds up to 500 lbs. per shelf\*
- 1/2" vertical slot adjustment
- Wide selection of finishes and sizes
- Limited lifetime warranty

## 255 Series Steel Standards

**Dimensions:** 5/8" width x 3/16" deep x selected length

**Material:** 23 gauge high strength steel  
20 gauge galvanized steel: Economy Zinc (E) products only

**Finish:** Almond (ALM), Brass-look (BR), Brown (BRN), White (WH), Zinc (ZC), Economy Zinc (E)

**Origin:** Made in the USA

**Features:** Numbered slots for fast, accurate clip insertion; countersunk nail and screw holes; full finish coverage to deter corrosion; precision cut lengths; BHMA Grade 1 Compliant\*

## Pack Configurations



Standard	12"–60", packed 100 standards per carton; 72"–96", packed 50 standards per carton					
Retail (PK)	20 standards per carton					
255 Steel Standards Standard Pack						
Size	Almond (ALM)	Brass-look (BR)	Brown (BRN)	Economy Zinc (E)	White (WH)	Zinc (ZC)
12"	255 ALM 12	255 BR 12	255 BRN 12	255 E 12	255 WH 12	255 ZC 12
18"	255 ALM 18	255 BR 18	255 BRN 18	–	255 WH 18	255 ZC 18
24"	255 ALM 24	255 BR 24	255 BRN 24	255 E 24	255 WH 24	255 ZC 24
30"	255 ALM 30	–	255 BRN 30	–	255 WH 30	255 ZC 30
36"	255 ALM 36	255 BR 36	255 BRN 36	255 E 36	255 WH 36	255 ZC 36
42"	–	–	–	–	–	255 ZC 42
48"	255 ALM 48	255 BR 48	255 BRN 48	255 E 48	255 WH 48	255 ZC 48
60"	255 ALM 60	255 BR 60	255 BRN 60	255 E 60	255 WH 60	255 ZC 60
72"	255 ALM 72	255 BR 72	255 BRN 72	255 E 72	255 WH 72	255 ZC 72
84"	255 ALM 84	255 BR 84	255 BRN 84	255 E 84	255 WH 84	255 ZC 84
96"	255 ALM 96	255 BR 96	255 BRN 96	255 E 96	255 WH 96	255 ZC 96
255 Steel Standards Retail Pack (PK)						
24"	–	PK255 BR 24	–	–	PK255 WH 24	PK255 ZC 24
36"	PK255 ALM 36	PK255 BR 36	PK255 BRN 36	–	PK255 WH 36	PK255 ZC 36
48"	PK255 ALM 48	PK255 BR 48	PK255 BRN 48	–	PK255 WH 48	PK255 ZC 48
60"	PK255 ALM 60	PK255 BR 60	PK255 BRN 60	–	PK255 WH 60	PK255 ZC 60
72"	PK255 ALM 72	PK255 BR 72	PK255 BRN 72	–	PK255 WH 72	PK255 ZC 72



## 255 Series Aluminum Standards

**Dimensions:** 5/8" width x 3/16" deep x selected length

**Material:** 17 gauge aluminum

**Finish:** Natural (AL), Brass-look (BR), Brown (BRN), Walnut (WAL)

**Origin:** Made in the USA

**Features:** Numbered slots for fast, accurate clip insertion; countersunk nail and screw holes; made of rust resistant aluminum; precision cut lengths; BHMA Grade 3 Compliant\*

## Pack Configurations



Standard	12"–60", packed 100 standards per carton; 72"–96", packed 50 standards per carton					
Retail (PK)	20 standards per carton					
255 Aluminum Standards Standard Pack					255 Standards Retail Pack (PK)	
Size	Natural (AL)	Brass-look (BR)	Brown (BRN)	Walnut (WAL)	Size	Walnut (WAL)
12"	255AL 12	255AL BR 12	255AL BRN 12	255AL WAL 12	36"	PK255AL WAL 36
18"	255AL 18	255AL BR 18	–	255AL WAL 18	48"	PK255AL WAL 48
24"	255AL 24	255AL BR 24	255AL BRN 24	255AL WAL 24	60"	PK255AL WAL 60
30"	255AL 30	255AL BR 30	–	255AL WAL 30	72"	PK255AL WAL 72
36"	255AL 36	255AL BR 36	255AL BRN 36	255AL WAL 36		
42"	255AL 42	–	–	–		
48"	255AL 48	255AL BR 48	255AL BRN 48	255AL WAL 48		
60"	255AL 60	255AL BR 60	255AL BRN 60	255AL WAL 60		
72"	255AL 72	255AL BR 72	255AL BRN 72	255AL WAL 72		
84"	255AL 84	255AL BR 84	255AL BRN 84	255AL WAL 84		
96"	255AL 96	255AL BR 96	255AL BRN 96	255AL WAL 96		



Plated finish products only

☐ Non-stock item – minimum order quantities and additional lead time may apply.

\*Standards and brackets meet or exceed ANSI performance standards as established by BHMA testing requirements.

# 255™ /256™ Series Mortise-Mount Pilaster Shelving System

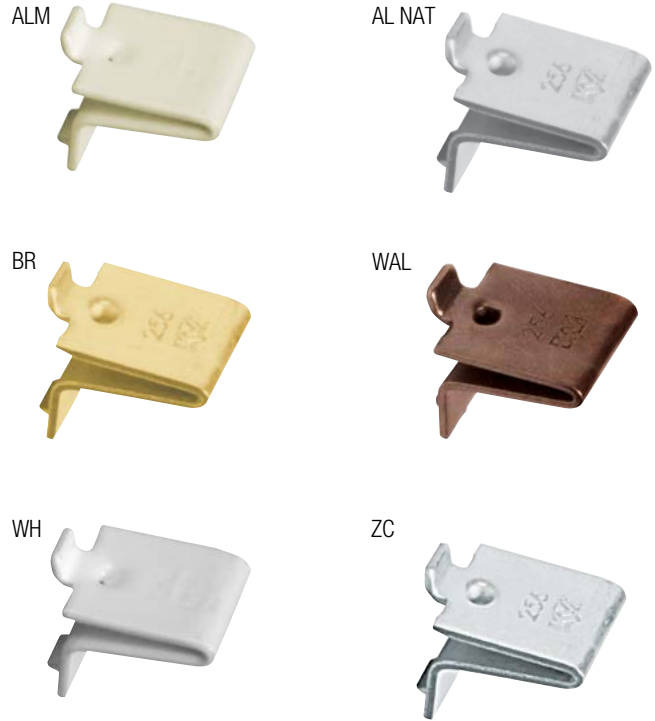
## 256 Series Pilaster Shelf Support

- Material:** High-strength steel, Aluminum (AL)  
**Finish:** Almond (ALM), Brass-look (BR), Walnut (WAL), White (WH), Zinc (ZC), Natural Aluminum (AL NAT)  
**Origin:** Made in the USA  
**Features:** Patented design; full coverage finish to resist corrosion; strength increasing dimple



### Pack Configurations

Standard Pack	100 pieces per carton			
Bulk (B)	1000 pieces per carton			
Barrel (BBL)	9000 pieces per barrel			
Poly (P)	12 supports and 28 nails per bag; 10 bags per carton			
Warehouse (WP)	12 supports and 28 nails per bag; 50 bags per carton			
<b>256 Shelf Supports Almond (ALM) Finish</b>				
<b>Standard</b>	<b>Bulk (B)</b>	<b>Barrel (BBL)</b>	<b>Poly (P)</b>	<b>Warehouse (WP)</b>
256S ALM	-	-	256S P ALM	-
<b>256 Shelf Supports Brass-look (BR) Finish</b>				
256 BR	256B BR	256BBL BR	256P BR	-
<b>256 Shelf Supports Walnut (WAL) Finish</b>				
256 WAL	256B WAL	256BBL WAL	256P WAL	-
<b>256 Shelf Supports White (WH) Finish</b>				
256S WH	-	-	256S P WH	256S WP WH
<b>256 Shelf Supports Zinc (ZC) Finish</b>				
256 ZC	256B ZC	256BBL ZC	256P ZC	256WP ZC
<b>256 Shelf Supports Natural Aluminum (AL NAT) Finish</b>				
256 AL NAT	-	-	-	-



NOTE: Use 256 WAL with 255 BRN and 255AL WAL

## Specialty Pilaster Shelf Supports

- Part #:** **256R ZC:** Support with Rubber Cushion  
**239 ZC\*:** Shelf Support  
**24276 ZC:** Shelf Support with Mounting Hole  
**243 ZC:** 3" Shelf Bracket (non-handed)  
**244 ANO:** Wire Shelf Support  
**757 ANO:** Flange for 1-1/16" OD closet rod

- Material:** High-strength steel, cold rolled steel  
**Finish:** Anochrome (ANO), Zinc (ZC)  
**Origin:** Made in the USA  
**Packed:** 100 per carton



## 229 Series Support Bracket

- Finish:** Anochrome (ANO)  
**Packed:** 25 per carton

229 Bracket	
Size	Anochrome (ANO)
4"	229 ANO 4
6"	229 ANO 6
8"	229 ANO 8
10"	229 ANO 10



\* WoodWork Institute Acknowledged Products

Download at [www.kv.com](http://www.kv.com) > Resource Library

# 233™ /237™ Series Surface-Mount Pilaster Shelving System

- Holds up to 500 lbs. per shelf\*
- 1/2" vertical slot adjustability
- BHMA Grade 1 Compliant\*
- Limited lifetime warranty

## 233 Surface Mount Steel Pilaster Standards

**Dimensions:** 13/16" width x 3/16" deep x selected height

**Material:** 23 gauge high-strength steel

**Finish:** Brass-look (BR), Steel (STL), Zinc (ZC)

**Origin:** Made in the USA

**Features:** Numbered slots for quick, accurate clip insertion; countersunk nail, screw and staple holes; full finish coverage to deter corrosion; precision cut lengths



## Pack Configurations

Standard	12"–60" packed 100 standards per carton; 72"–96" packed 50 standards per carton				
Retail (P)	20 standards per carton				
<b>233 Series Steel Standards Standard Pack</b>			<b>233 Series Steel Standards Retail Pack (PK)</b>		
<b>Size</b>	<b>Brass-look (BR)</b>	<b>Steel (STL)</b>	<b>Zinc (ZC)</b>	<b>Size</b>	<b>Zinc (ZC)</b>
12"	233 BR 12	233 STL 12	233 ZC 12	48"	PK233 ZC 48
18"	–	–	233 ZC 18	72"	PK233 ZC 72
24"	–	233 STL 24	233 ZC 24		
30"	–	–	233 ZC 30		
36"	233 BR 36	233 STL 36	233 ZC 36		
42"	–	–	233 ZC 42		
48"	233 BR 48	233 STL 48	233 ZC 48		
60"	233 BR 60	233 STL 60	233 ZC 60		
72"	233 BR 72	233 STL 72	233 ZC 72		
84"	–	–	233 ZC 84		
96"	233 BR 96	233 STL 96	233 ZC 96		

## Pilaster Shelf Supports

- Part #:** **237 ZC:** Shelf support for 233 pilaster  
**238 ANO:** Shelf support with locator tab  
**242 ANO:** Wire shelf support

**Finish:** Anochrome (ANO), Zinc (ZC)

**Featured:** Made in the USA

**Packed:** 100 pieces per carton

**Features:** Full finish coverage to deter corrosion



## Nails for 255 and 233 Series Standards

### Pack Configurations

Standard	Approximately 650 nails per bag; 5 bags per carton	
<b>255 and 233 Nails</b>		
<b>Part</b>	<b>Finish</b>	<b>Use with:</b>
255-81N ALM	Almond (ALM)	255 ALM
255-81N BR	Brass-look (BR)	255 BR, 233 BR, 255AL BR
255-81N STB	Bronzed (STB)	255 BRN, 255 AL BRN, 255AL WAL
255-81N WH	White (WH)	255 WH
255-81N ZC	Zinc (ZC)	255 ZC, 233 ZC, 255E, 255AL



☐ Non-stock item – minimum order quantities and additional lead time may apply.

\*Standards and brackets meet or exceed ANSI performance standards as established by BHMA testing requirements.

# 70™ / 71™ / 170™ Regular-Duty Standard and Bracket System

- Single slot system
- 1" vertical slot adjustment

- BHMA Grade 2 Compliant\*
- Limited lifetime warranty

## 70 Series Standards

**Dimensions:** 5/8" wide x 13/32" deep x selected height  
**Material:** 16 gauge galvanized steel  
**Finish:** Economy Zinc (E)  
**Origin:** Made in the USA  
**Features:** Safety lead-in at top of standard; countersunk screw holes; embossed "up" and arrow to show correct orientation; center aligned slots and screw holes; precision cut lengths

### Pack Configurations

Retail (P)	10 per carton, screws not included, UPC label applied
70 Series Standards	
Size	Economy Zinc (E)
24"	P70 E 24
36"	P70 E 36
48"	P70 E 48
72"	P70 E 72



## 170E Series Brackets

**Material:** 16 gauge galvanized steel  
**Finish:** Economy Zinc (E)  
**Origin:** Made in the USA  
**Features:** Holds up to 200 lbs. per pair; two locking teeth; shelf retaining lip; embossed "s" stabilizer

### Pack Configurations

Standard	50 per carton, no UPC	
Retail (P)	20 per carton, UPC label applied	
170E Series Brackets		
Size	Standard	Poly (P)
8"	170E 8	P170 E 8
10"	170E 10	P170 E 10
12"	170E 12	P170 E 12



## 71 Series Narrow Standards

**Dimensions:** 5/16" wide x 13/32" deep x selected height  
**Material:** 13 gauge steel  
**Finish:** Anochrome (ANO)  
**Origin:** Made in the USA  
**Features:** Narrow design to fit between prefabricated wall panels for flush wall mount; countersunk screw holes; center aligned slots and screw holes; precision cut lengths

### Pack Configurations

Standard	10 per carton
71 Series Standards	
Size	Anochrome (ANO)
48"	71 ANO 48
60"	71 ANO 60
72"	71 ANO 72
96"	71 ANO 96



## 170 ANO Series Brackets

**Material:** 14 gauge steel  
**Finish:** Anochrome (ANO)  
**Origin:** Made in the USA  
**Features:** Holds up to 210 lbs. per pair; two locking teeth; shelf retaining lip; stamped wing stabilizer

### Pack Configurations

Standard	10 per carton
170 ANO Series Brackets	
Size	Anochrome (ANO)
10"	170 ANO 10
12"	170 ANO 12
14"	170 ANO 14



■ Non-stock item – minimum order quantities and additional lead time may apply.

\*Standards and brackets meet or exceed ANSI performance standards as established by BHMA testing requirements.

# 80™ / 180™ Regular-Duty Standard and Bracket System

- Single slot design
- 1" vertical slot adjustability

- BHMA Grade 2 Compliant\*
- Limited lifetime warranty

## 80 Series Standards

**Dimensions:** 5/8" wide x 13/32" deep x selected length

**Material:** 16 gauge steel

**Finish:** Almond (ALM), Anochrome (ANO), Black (BLK), Brass-look (BR), Brown (BN), Titanium (TI), White (WH)

**Origin:** Made in the USA

**Features:** Countersunk screw holes; safety lead-in at top of standards; embossed "up" and arrow to show correct orientation; center aligned slots and screw holes; precision cut lengths

## Pack Configurations



Standard	10 standards per carton, with UPC labels						
Builders Pack (BP)	25 standards per carton, no UPC labels						
80 Series Standards Standard Pack							
Size	Almond (ALM)	Anochrome (ANO)	Black (BLK)	Brown (BN)	Brass-look (BR)	Titanium (TI)	White (WH)
12"	80 ALM 12	80 ANO 12	80 BLK 12	80 BN 12	80 BR 12	80 TI 12	80 WH 12
18"	–	80 ANO 18	–	–	–	–	–
24"	80 ALM 24	80 ANO 24	80 BLK 24	80 BN 24	80 BR 24	80 TI 24	80 WH 24
36"	80 ALM 36	80 ANO 36	80 BLK 36	80 BN 36	80 BR 36	80 TI 36	80 WH 36
48"	80 ALM 48	80 ANO 48	80 BLK 48	80 BN 48	80 BR 48	80 TI 48	80 WH 48
60"	80 ALM 60	80 ANO 60	80 BLK 60	80 BN 60	80 BR 60	80 TI 60	80 WH 60
72"	80 ALM 72	80 ANO 72	80 BLK 72	80 BN 72	80 BR 72	80 TI 72	80 WH 72
84"	–	80 ANO 84	–	–	–	–	–
96"	–	80 ANO 96	80 BLK 96	–	–	–	80 WH 96

80 Series Standards Builder Pack (BP)	
Size	Anochrome (ANO)
24"	80BP ANO 24
36"	80BP ANO 36
48"	80BP ANO 48
60"	80BP ANO 60
72"	80BP ANO 72
84"	80BP ANO 84
96"	80BP ANO 96



☐ Non-stock item – minimum order quantities and additional lead time may apply.

\*Standards and brackets meet or exceed ANSI performance standards as established by BHMA testing requirements.

# 80™ / 180™ Regular-Duty Standard and Bracket System

## 180 Series Brackets

- Material:** 14 and 16 gauge steel  
**Finish:** Almond (ALM), Anochrome (ANO), Black (BLK), Brass-look (BR), Brown (BN), Titanium (TI), White (WH)  
**Origin:** Made in the USA  
**Features:** Holds up to 320 lbs. per pair\*; two complete locking teeth; spring steel clip for stability and friction lock; shelf retaining lip

## Pack Configurations

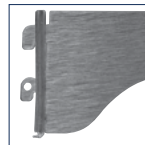


Standard	10 brackets per carton with UPC labels attached
Hefty Pack (HP)	40 brackets per display carton, with UPC labels
Builders Pack (BP)	100 brackets per carton, no UPC labels

180 Series Brackets Standard Pack							
Size	Almond (ALM)	Anochrome (ANO)	Black (BLK)	Brown (BN)	Brass-look (BR)	Titanium (TI)	White (WH)
4"	–	180 ANO 4	180 BLK 4	–	–	–	180 WH 4
6"	180 ALM 6	180 ANO 6	180 BLK 6	180 BN 6	180 BR 6	180 TI 6	180 WH 6
8"	180 ALM 8	180 ANO 8	180 BLK 8	180 BN 8	180 BR 8	180 TI 8	180 WH 8
10"	180 ALM 10	180 ANO 10	180 BLK 10	180 BN 10	180 BR 10	180 TI 10	180 WH 10
12"	180 ALM 12	180 ANO 12	180 BLK 12	180 BN 12	180 BR 12	180 TI 12	180 WH 12
14"	180 ALM 14	180 ANO 14	180 BLK 14	–	180 BR 14	–	180 WH 14
16"	180 ALM 16	180 ANO 16	180 BLK 16	180 BN 16	180 BR 16	180 TI 16	180 WH 16
18"	–	180 ANO 18	–	–	–	–	180 WH 18
20"	–	180 ANO 20	–	–	–	–	180 WH 20

180 Series Brackets Hefty Pack (HP)							
6"	–	–	–	–	–	180HP TI 6	180HP WH 6
8"	–	180HP ANO 8	180HP BLK 8	–	–	180HP TI 8	180HP WH 8
10"	–	180HP ANO 10	180HP BLK 10	–	–	180HP TI 10	180HP WH 10
12"	–	180HP ANO 12	180HP BLK 12	–	–	180HP TI 12	180HP WH 12
16"	–	180HP ANO 16	180HP BLK 16	–	–	180HP TI 16	180HP WH 16

180 Series Brackets Builders Pack (BP)		
6"	–	180BP ANO 6
8"	–	180BP ANO 8
10"	–	180BP ANO 10
12"	–	180BP ANO 12
14"	–	180BP ANO 14
16"	–	180BP ANO 16
18"	–	180BP ANO 18



Locking Teeth Side View



## Screws and Anchors

- Dimensions:** #6 head, #8 body, 1-1/2" length  
**Finish:** Almond (ALM), Anochrome (ANO), Black (BLK), Brown (BN), Brass-look (BR), Titanium (TI), White (WH), Zinc (ZC)  
**Features:** For proper installation of 80 series standards

## Pack Configurations

Display Pack (DP)	20 poly bags per carton; each poly bag contains 6 screws and 6 screw anchors
Standard Pack	50 screws per pack, no anchors
Bulk Pack	1,000 bulk screws per poly; 6,000 per carton

80 Series Screw Packs								
Pack Type	Almond (ALM)	Anochrome (ANO)	Black (BLK)	Brown (BN)	Brass-look (BR)	Titanium (TI)	White (WH)	Zinc (ZC)
Display Pack	80-88DP ALM	80-88DP ANO	80-88DP BLK	80-88DP BN	80-88DP BR	80-88DP TI	80-88DP WH	–
Standard Pack	80-80 ALM	–	80-80 BLK	–	80-80 BR	–	80-80 WH	80-80 ZC
Bulk Pack	200239-4 ALM	–	200230-7 BLK	–	200231-0 BR	200241-1	200235-2 WH	200234-9 ZC

□ Non-stock item – minimum order quantities and additional lead time may apply.

\*Standards and brackets meet or exceed ANSI performance standards as established by BHMA testing requirements.

# 80™ / 180™ Series Regular-Duty Standard and Bracket System

## 160LL™ Series Lock Lever Bracket

**Material:** 14 gauge steel  
**Finish:** Anochrome (ANO), Brass-look (BR)  
**Origin:** Made in the USA  
**Features:** For use with 1" adjustable standards; two locking teeth; lever lock for extra secure mounting and stability; shelf retaining lip

### Pack Configurations

Standard	10 per carton, no UPC labels	
<b>160 Series Brackets</b>		
<b>Size</b>	<b>Anochrome (ANO)</b>	<b>Brass-look (BR)</b>
6"	160LL ANO 6	–
8"	160LL ANO 8	160LL BR 8
10"	160LL ANO 10	160LL BR 10
12"	160LL ANO 12	160LL BR 12
14"	160LL ANO 14	–
16"	160LL ANO 16	–
18"	160LL ANO 18	–



## 179™ Series Adjustable Angle Brackets

**Material:** 14 and 16 gauge steel  
**Finish:** Anochrome (ANO)  
**Origin:** Made in the USA  
**Features:** For use with 1" adjustment standards; two complete locking teeth; shelf retaining lip; spring clip for stability and friction locking; adjust to 15°, 30°, 45° and level

### Pack Configurations

Standard	10 per carton, no UPC labels	
<b>179 Series Brackets</b>		
<b>Size</b>	<b>Anochrome (ANO)</b>	
10"	179 ANO 10	
12"	179 ANO 12	
14"	179 ANO 14	

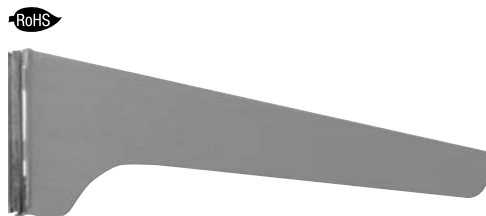


## 181™ Series Lipless Brackets

**Material:** 14 and 16 gauge steel  
**Finish:** Anochrome (ANO)  
**Origin:** Made in the USA  
**Features:** For use with 1" adjustment standards; two complete locking teeth; spring clip provides stability and a friction lock; lipless version of the 180 series bracket to allow for easy concealing of the bracket

### Pack Configurations

Standard	10 per carton, no UPC labels	
<b>181 Series Brackets</b>		
<b>Size</b>	<b>Anochrome (ANO)</b>	
8"	181 ANO 8	
10"	181 ANO 10	
12"	181 ANO 12	
14"	181 ANO 14	
16"	181 ANO 16	



☐ Non-stock item – minimum order quantities and additional lead time may apply.

Customer Service: 1.800.253.1561



# 80™ / 180™ Series Regular-Duty Standard and Bracket System

## 79 Series Easy Installation Hang Rail

**Dimensions:** 2" tall x 1/2" deep

**Material:** Hardened steel

**Finish:** Titanium (TI), White (WH)

**Features:** Holds up to 2,700 lbs. per 80" hang rail, and up to 1,700 lbs. per 48" hang rail; rail has screw holes every 8" for mounting to 16" and 24" stud centers; rigid profile design prevents twisting and bowing; mounts to most wall types and bare studs; anti-dislodge safety features

## 7980 Standard Links

**Dimensions:** 6-5/8" tall x 3/4" wide x 4/5" deep

**Material:** Cast aluminum

**Finish:** Titanium (TI), White (WH)

**Features:** Holds up to 200 lbs. per standard link; sleek design for a clean look; mounting screws included

### Pack Configurations

Standard	10 per carton	
<b>79 Series Easy Installation Hang Rail</b>		
<b>Size</b>	<b>Titanium (TI)</b>	<b>White (WH)</b>
48"	79 TI 48	79 WH 48
80"	79 TI 80	79 WH 80

### Pack Configurations

Standard	12 pairs per carton, with screws	
<b>7980 Series Standard Links</b>		
<b>Titanium (TI)</b>	<b>White (WH)</b>	
7980 TI	7980 WH	

WH



TI



TI



WH



## Accessories

**Packed:** 100 per carton

- 101 PLAS: Clear plastic back rest with divider
- 102 PLAS: Clear plastic front rest with divider
- 103 PLAS: Clear plastic front rest
- 103-1/2L PLAS: Clear plastic front rest left
- 103-1/2R PLAS: Clear plastic front rest right
- 104 ANO: Anochrome (ANO) steel back rest
- 104 PLAS: Clear plastic back rest
- 104-1/2 PLAS: Clear plastic back rest
- 119 RUB: Gray rubber cushion use with metal rests
- 129 RUB: Gray rubber cushion use with plastic rests
- 136 ANO: Socket-#80 standard bottom socket
- 137 ANO: Socket-#80 standard top socket
- 153 ANO: Standard fastener floor mount (bolt and nut not included)
- 154 ANO: Shelf-fastener (fastens shelf to bracket)

101 PLAS



102 PLAS



103 PLAS



103-1/2



104 ANO



104 PLAS



104-1/2 PLAS



119 RUB



129 RUB



136



137



153



154



# 82™ /182™ Series Heavy-Duty Standard and Bracket System

- Double slot design
- 1-1/4" vertical slot adjustability
- BHMA Grade 2 Compliant\*
- Limited lifetime warranty

## 82 Series Standards

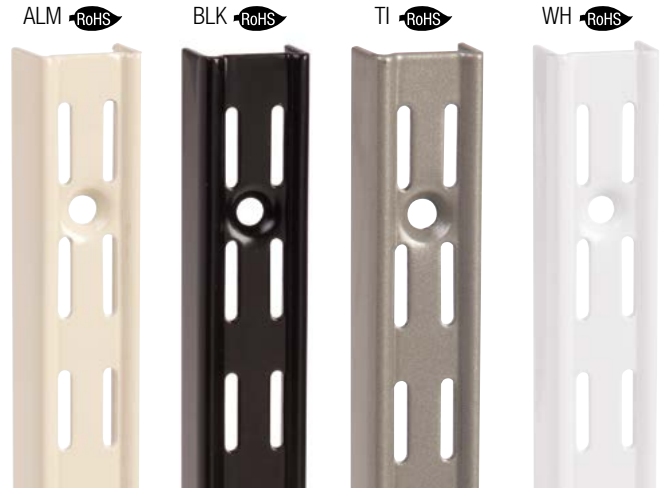
**Dimensions:** 1-1/16" wide x 11/16" deep x selected length  
**Material:** 14 gauge steel  
**Finish:** Almond (ALM), Black (BLK), Titanium (TI), White (WH)

**Origin:** Made in the USA  
**Features:** Strength enhancing ribs; countersunk screw holes; embossed "up" and arrow to show correct orientation; center aligned slots and screw holes; precision cut lengths

## Pack Configurations



Standard	10 standards per carton with UPC labels			
Builders Pack (BP)	10 standards per carton, no UPC labels			
82 Series Standards Standard Pack				
Size	Almond (ALM)	Black (BLK)	Titanium (TI)	White (WH)
16.5"	82 ALM 16.5	82 BLK 16.5	82 TI 16.5	82 WH 16.5
28"	82 ALM 28	82 BLK 28	82 TI 28	82 WH 28
39"	82 ALM 39	82 BLK 39	82 TI 39	82 WH 39
48"	82 ALM 48	82 BLK 48	82 TI 48	82 WH 48
63"	82 ALM 63	82 BLK 63	82 TI 63	82 WH 63
78"	82 ALM 78	82 BLK 78	82 TI 78	82 WH 78
94"	82 ALM 94	82 BLK 94	82 TI 94	82 WH 94
82 Series Standards Builders Pack (BP)				
16.5"	82BP ALM 16.5	82BP BLK 16.5	–	82BP WH 16.5
28"	82BP ALM 28	82BP BLK 28	–	82BP WH 28
39"	82BP ALM 39	82BP BLK 39	–	82BP WH 39
48"	82BP ALM 48	82BP BLK 48	–	82BP WH 48
63"	82BP ALM 63	82BP BLK 63	–	82BP WH 63
78"	82BP ALM 78	82BP BLK 78	–	82BP WH 78
94"	82BP ALM 94	82BP BLK 94	–	82BP WH 94



## Accessories

### 182BE Bookend

**Finish:** White (WH)  
**Packed:** 10 pairs per carton  
**Origin:** Made in the USA

82 Series Bookend Standard Pack	
Size	White (WH)
7"	182BE WH 7
9"	182BE WH 9
10.5"	182BE WH 10.5

### 82DP SCREW ZC

**Finish:** Zinc (ZC)  
**Packed:** 20 bags per carton (6 screws + 6 anchors per bag)

### 182DP LCTR/JNR Shelf Locator Joiner

**Finish:** Clear plastic (CL)  
**Packed:** 20 bags per carton (4 joiners + 8 screws per bag)

### 182DP LOCK Bracket Lock

**Finish:** Black rubber (BLK)  
**Packed:** 20 bags per carton (6 locks per bag)

182BE



82DP SCREW ZC



182DP LCTR/JNR



182DP LOCK



☐ Non-stock item – minimum order quantities and additional lead time may apply.

\*Standards and brackets meet or exceed ANSI performance standards as established by BHMA testing requirements.

# 82™ /182™ Series Heavy-Duty Standard and Bracket System

## 182 Series Brackets

- Material:** 16 gauge steel  
**Finish:** Almond (ALM), Black (BLK), Titanium (TI), White (WH)  
**Features:** Holds up to 450 lbs. per pair of brackets\*; four complete locking teeth; countersunk screw holes to fasten shelves

## Pack Configurations



Standard	10 brackets per carton with UPC labels			
Builders Pack (BP)	10 brackets per carton, no UPC labels			
182 Series Brackets Standard Pack				
Size	Almond (ALM)	Black (BLK)	Titanium (TI)	White (WH)
5"	–	–	–	182 WH 5
7"	182 ALM 7	182 BLK 7	182 TI 7	182 WH 7
9"	182 ALM 9	182 BLK 9	182 TI 9	182 WH 9
10.5"	182 ALM 10.5	182 BLK 10.5	182 TI 10.5	182 WH 10.5
12.5"	182 ALM 12.5	182 BLK 12.5	182 TI 12.5	182 WH 12.5
14.5"	182 ALM 14.5	182 BLK 14.5	182 TI 14.5	182 WH 14.5
18.5"	182 ALM 18.5	182 BLK 18.5	182 TI 18.5	182 WH 18.5
24"	182 ALM 24	182 BLK 24	182 TI 24	182 WH 24
182 Series Brackets Builders Pack (BP)				
5"	–	182BP BLK 5	–	182BP WH 5
7"	182BP ALM 7	182BP BLK 7	–	182BP WH 7
9"	182BP ALM 9	182BP BLK 9	182BP TI 9	182BP WH 9
10.5"	182BP ALM 10.5	182BP BLK 10.5	182BP TI 10.5	182BP WH 10.5
12.5"	182BP ALM 12.5	182BP BLK 12.5	182BP TI 12.5	182BP WH 12.5
14.5"	182BP ALM 14.5	182BP BLK 14.5	182BP TI 14.5	182BP WH 14.5
18.5"	182BP ALM 18.5	182BP BLK 18.5	182BP TI 18.5	182BP WH 18.5
24"	182BP ALM 24	182BP BLK 24	182BP TI 24	182BP WH 24

ALM



BLK



TI



WH



## 79 Easy Installation Hang Rail

- Dimensions:** 2" tall x 1/2" deep x selected length  
**Material:** Hardened steel  
**Finish:** Titanium (TI), White (WH)  
**Features:** Holds up to 2,700 lbs. per 80" hang rail; and 1,700 lbs. per 48" hang rail; hang rail has screw holes every 8" for mounting to 16" and 24" stud centers; hang rail has a rigid profile design that prevents twisting and bowing; mounts to most wall types and bare studs; anti-dislodge safety features

WH



TI



## Pack Configurations

Standard	10 per carton	
Size	Titanium (TI)	White (WH)
48"	79 TI 48	79 WH 48
80"	79 TI 80	79 WH 80

## 7982 Standard Links

- Dimensions:** 4-7/8" tall x 1-1/4" wide x 3/4" deep  
**Material:** Cast aluminum  
**Finish:** Titanium (TI), White (WH)  
**Features:** Holds up to 450 lbs. per standard link; sleek design for a clean look; mounting screws included

TI



WH



## Pack Configurations

Standard	12 pairs per carton	
Titanium (TI)	White (WH)	
7982 TI	7982 WH	

\*Standards and brackets meet or exceed ANSI performance standards as established by BHMA testing requirements.

# 83™ / 183™ Series Heavy-Duty Standard and Bracket System

- Single slot design
- 1" vertical slot adjustability

- BHMA Grade 2 Compliant\*
- Limited lifetime warranty

## 83 Series Oversized Standards

**Dimensions:** 3/4" wide x 1/2" deep x selected length

**Material:** 16 gauge steel

**Finish:** Anochrome (ANO)

**Origin:** Made in the USA

**Features:** Safety lead-in at top of standard; embossed logo to show correct orientation; countersunk screw holes; center aligned slots and screw holes; precision cut lengths

## Pack Configurations

Standard	10 standards per carton, no UPC labels
<b>83 Series Standards Standard Pack</b>	
<b>Size</b>	<b>Anochrome (ANO)</b>
24"	83 ANO 24
36"	83 ANO 36
48"	83 ANO 48
60"	83 ANO 60
72"	83 ANO 72
84"	83 ANO 84
96"	83 ANO 96



## Accessories

**113L ANO Left-Hand Anochrome (ANO) Panel Clip**

**113R ANO Right-Hand Anochrome (ANO) Panel Clip**

**Finish:** Anochrome (ANO)

**Origin:** Made in the USA

**Packed:** 50 per carton; Left and right clips packed separately

**Application:** Used to attach display and wall panels into vertical position



**119 RUB Gray rubber cushion for use with 183 series brackets**

**Packed:** 100 per carton



**134 ANO Socket-#83 Standard Bottom Socket**

**135 ANO Socket-#83 Standard Top Socket**

**Origin:** Made in the USA

**Packed:** 100 per carton



**159LL ANO Lock Lever Heavy-Duty Support Bracket**

**Finish:** Anochrome (ANO)

**Origin:** Made in the USA

**Packed:** 100 per carton

**Benefit:** Provides extra support for shelves with heavy loads; lever lock for extra secure mounting and stability



**191 ANO Hang Rod Saddle**

**192 ANO Hang Rod Saddle**

**Finish:** Anochrome (ANO)

**Origin:** Made in the USA

**Packed:** 10 per carton

**Features:** 191 bolts to 183L & 183R or 185 brackets to hold 1-1/16" O.D. tubing

192 bolts to 183L & 183R or 185 brackets to hold 1-5/16" O.D. tubing



\*Standards and brackets meet or exceed ANSI performance standards as established by BHMA testing requirements.

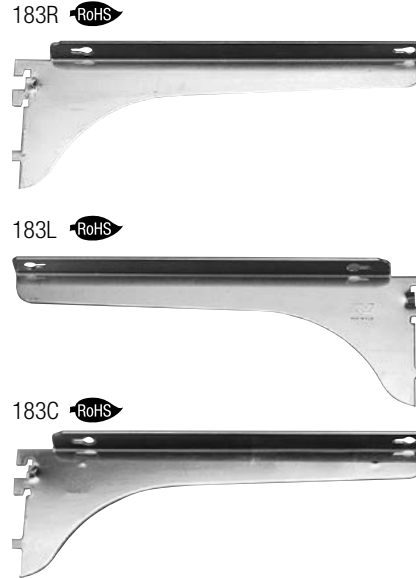
# 83™ /183™ Series Heavy-Duty Standard and Bracket System

## 183 Series Brackets

**Part #:** 183R: Right Flange Bracket  
 183L: Left Flange Bracket  
 183C: Center Flange Bracket

**Material:** 16 gauge steel  
**Finish:** Anochrome (ANO)  
**Origin:** Made in the USA

**Features:** Holds up to 460 lbs. per pair of brackets\*; bracket flanges allow for simple attachment to wooden shelves; brackets may also be used with 85 Series Standards for added support on long shelves



## Pack Configurations

Standard	10 brackets per carton, no UPC labels		
<b>183 Series Brackets Standard Pack - Anochrome (ANO) Finish</b>			
Size	Right	Left	Center
8"	183R ANO 8	183L ANO 8	183C ANO 8
10"	183R ANO 10	183L ANO 10	183C ANO 10
12"	183R ANO 12	183L ANO 12	183C ANO 12
14"	183R ANO 14	183L ANO 14	183C ANO 14
16"	183R ANO 16	183L ANO 16	183C ANO 16
18"	183R ANO 18	183L ANO 18	183C ANO 18
20"	183R ANO 20	183L ANO 20	183C ANO 20

## 161LL Lock Lever Bracket

**Material:** 14 gauge steel  
**Finish:** Anochrome (ANO)  
**Origin:** Made in the USA  
**Features:** Three locking teeth; lever lock for extra secure mounting and stability; for use with 1" adjustable shelving; shelf retaining lip



## Pack Configurations

Standard	10 brackets per carton, no UPC labels
<b>161LL Brackets</b>	
Size	Anochrome
14"	161LL ANO 14
16"	161LL ANO 16
18"	161LL ANO 18
20"	161LL ANO 20
24"	161LL ANO 24

\*Standards and brackets meet or exceed ANSI performance standards as established by BHMA testing requirements.

# 85™ / 185™ Series Extra-Duty Standard and Bracket System

- Single slot design
- 1" vertical slot adjustability
- BHMA Grade 2 Compliant\*
- Limited lifetime warranty

## 85 Series Standards

**Dimensions:** 1-1/4" wide x 1/2" deep x selected length

**Material:** 16 gauge steel

**Finish:** Anochrome (ANO), White (WH)

**Origin:** Made in the USA

**Features:** Safety lead-in at top of standard; embossed logo to show correct orientation; countersunk screw holes; center aligned slots and screw holes; precision cut lengths



## Pack Configurations



Standard	10 brackets per carton, no UPC labels			
Retail Pack (B)	10 brackets per carton with UPC labels			
85 Series Standards Standard Pack			85 Series Standards Retail Pack	
Size	Anochrome (ANO)	White (WH)	Size	Anochrome (ANO)
24"	85 ANO 24	85 WH 24	24"	-
36"	85 ANO 36	85 WH 36	36"	-
48"	85 ANO 48	85 WH 48	48"	85B ANO 48
60"	85 ANO 60	85 WH 60	60"	-
72"	85 ANO 72	85 WH 72	72"	85B ANO 72
84"	85 ANO 84	85 WH 84	84"	-
96"	85 ANO 96	85 WH 96	96"	-

## Accessories

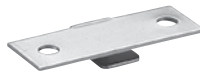
**106 ANO:** Shelf Rest

**Finish:** Anochrome (ANO)

**Packed:** 100 per carton

**Origin:** Made in the USA

**Application:** Used to join two shelves at one bracket



**107 ANO:** Hang Rod Clamp

**Finish:** Anochrome (ANO)

**Packed:** 20 per carton

**Origin:** Made in the USA

**Application:** Bolts to 183 and 185 Brackets to hold rods securely



**113L ANO:** Left-Hand Anochrome (ANO) Panel Clip

**113R ANO:** Right-Hand Anochrome (ANO) Panel Clip

**Finish:** Anochrome (ANO)

**Packed:** 50 per carton; Left and right clips packed separately

**Origin:** Made in the USA

**Application:** Used to attach display and wall panels into vertical position



**129 RUB:** Gray rubber cushion for use with metal and plastic rests

**Packed:** 100 per carton



**159LL ANO:** Lock Lever Heavy-Duty Support Bracket

**Finish:** Anochrome (ANO)

**Packed:** 100 per carton

**Origin:** Made in the USA

**Benefit:** Provides extra support for shelves with heavy loads; lock lever for extra secure mounting and stability



**191 ANO:** Hang Rod Saddle

**192 ANO:** Hang Rod Saddle

**Finish:** Anochrome (ANO)

**Packed:** 10 per carton

**Origin:** Made in the USA

**Features:** 191 bolts to 183L & 183R or 185 brackets to hold 1-1/16" O.D. tubing  
192 bolts to 183L & 183R or 185 brackets to hold 1-5/16" O.D. tubing



\*Standards and brackets meet or exceed ANSI performance standards as established by BHMA testing requirements.

# 85™ /185™ Series Extra-Duty Standard and Bracket System

## 185 Series Brackets

**Material:** 14 and 16 gauge steel

**Finish:** Anochrome (ANO), White (WH)

**Origin:** Made in the USA

**Features:** Holds up to 680 lbs. per pair of brackets\*; shelf retaining lip on brackets; four locking teeth and two lugs for safety and stability; shelf fastening screw holes

## Pack Configurations



Standard	10 brackets per carton, no UPC labels	
Retail Pack (B)	10 brackets per carton with UPC labels	
185 Series Brackets Standard Pack		
Size	Anochrome (ANO)	White (WH)
8"	185 ANO 8	185 WH 8
10"	185 ANO 10	185 WH 10
12"	185 ANO 12	185 WH 12
14"	185 ANO 14	185 WH 14
16"	185 ANO 16	185 WH 16
18"	185 ANO 18	185 WH 18
20"	185 ANO 20	185 WH 20
22"	185 ANO 22	185 WH 22
24"	185 ANO 24	185 WH 24
185 Series Brackets Retail Pack (B)		
10"	185B ANO 10	
12"	185B ANO 12	
14"	–	
16"	185B ANO 16	
18"	–	
20"	–	
22"	–	
24"	185B ANO 24	

ANO



WH



NOTE: 180 Anochrome (ANO) brackets and all other KV 1" adjustable brackets can be used with 85 Series double-slotted standards.

\*Standards and brackets meet or exceed ANSI performance standards as established by BHMA testing requirements.

# 87™ /186™ /187™ Series Super-Duty Standard and Bracket System

- Single slot design
- 2" vertical slot adjustability
- Limited lifetime warranty
- BHMA Grade 2 Compliant\*

## 87 Series Standards

**Dimensions:** 7/8" wide x 11/16" deep x selected height

**Material:** 12 gauge steel

**Finish:** Anochrome (ANO), White (WH)

**Origin:** Made in the USA

**Features:** Countersunk screw holes; embossed logo to show correct orientation; center aligned slots and screw holes; precision cut lengths

## Pack Configurations



Standard	5 per carton, no UPC labels	
<b>87 Series Standards Standard Pack</b>		
<b>Size</b>	<b>Anochrome (ANO)</b>	<b>White (WH)</b>
24"	87 ANO 24	87 WH 24
36"	87 ANO 36	87 WH 36
48"	87 ANO 48	87 WH 48
60"	87 ANO 60	87 WH 60
72"	87 ANO 72	87 WH 72
84"	87 ANO 84	87 WH 84
96"	87 ANO 96	87 WH 96



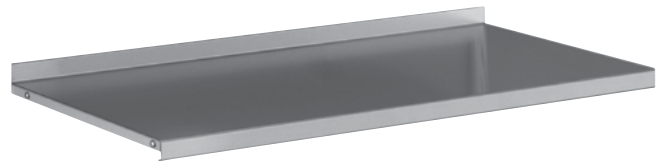
## 1987 Series Galvanized Steel Shelving

**Material:** Galvanized steel

**Finish:** Galvanized Steel (GALV)

**Origin:** Made in the USA

**Features:** Predrilled mounting holes to fasten to brackets



## Pack Configurations

Standard	5 per carton; except 20" x 32": 3 per carton
<b>1987 Series Shelving Standard Pack</b>	
<b>Size</b>	<b>Galvanized (GALV)</b>
8" x 32"	1987 GALV 8X32
10" x 32"	1987 GALV 10X32
12" x 32"	1987 GALV 12X32
16" x 32"	1987 GALV 16X32
20" x 32"	1987 GALV 20X32

\*Standards and brackets meet or exceed ANSI performance standards as established by BHMA testing requirements.



# 87™ /186™ /187™ Series Super-Duty Standard and Bracket System

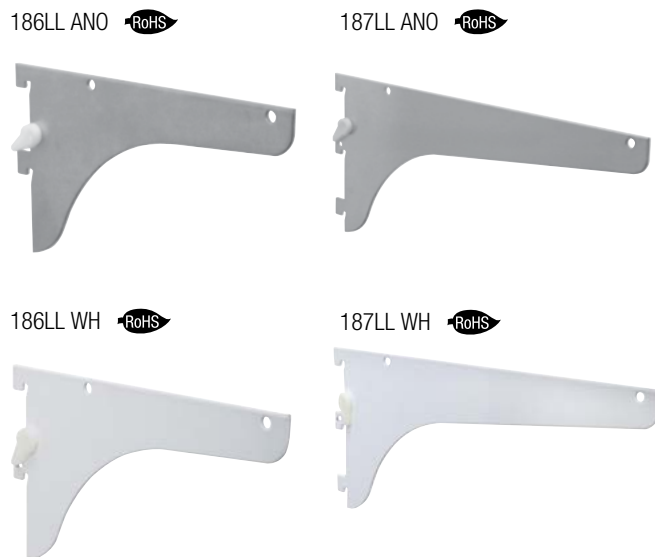
## 186LL and 187LL Series Lock Lever Brackets

**Material:** 12 gauge steel  
**Finish:** Anochrome (ANO), White (WH)  
**Origin:** Made in the USA  
**Features:** Holds up to 1,060 lbs. per pair of brackets\*; utilizes an easy-to-install unique cam lock that secures brackets to the standard; two or three complete locking teeth; predrilled holes for mounting 1987 Series shelves or attaching shelf rests



### Pack Configurations

Standard	10 per carton, no UPC labels	
<b>186 Series Brackets Standard Pack</b>		
<b>Size</b>	<b>Anochrome (ANO)</b>	<b>White (WH)</b>
8"	186LL ANO 8	186LL WH 8
10"	186LL ANO 10	186LL WH 10
<b>187 Series Brackets Standard Pack</b>		
12"	187LL ANO 12	187LL WH 12
14"	187LL ANO 14	187LL WH 14
16"	187LL ANO 16	187LL WH 16
18"	187LL ANO 18	187LL WH 18
20"	187LL ANO 20	187LL WH 20
22"	187LL ANO 22	187LL WH 22
24"	187LL ANO 24	187LL WH 24



### Accessories

#### 87-10 WH 100

**Sizes:** #10 x 2-3/4" screw  
**Finish:** White (WH)  
**Packed:** 100 per bag



#### 119 RUB: Gray rubber cushion for use with metal rests

**Packed:** 100 per carton

Recommended for use when supporting glass shelves



#### 129 RUB: Gray rubber cushion for use with metal and plastic rests

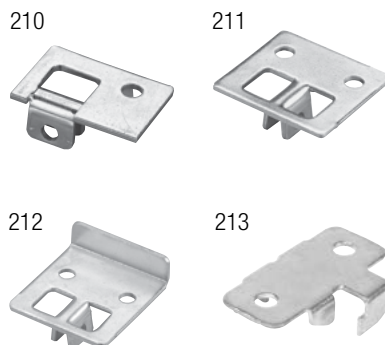
**Packed:** 100 per carton

Recommended for use when supporting glass shelves



**210 ANO:** Anochrome (ANO) End Rest with screw  
**210 WH:** White (WH) End Rest with screw  
**211 ANO:** Anochrome (ANO) Center Rest with screw  
**211 WH:** White (WH) Center Rest with screw  
**212 ANO:** Anochrome (ANO) Front Rest with screw  
**212 WH:** White (WH) Front Rest with screw  
**213C ZC:** Zinc (ZC) Snap-In Center Rest  
**Finish:** Anochrome (ANO), White (WH), Zinc (ZC)  
**Packed:** 100 per carton

Recommended for use with 186 and 187 Series Brackets for anchoring shelf to brackets to shelves



\*Standards and brackets meet or exceed ANSI performance standards as established by BHMA testing requirements.

# 87™ /186™ /187™ Super-Duty Stainless Steel Standard and Bracket System

- Single slot design
- 2" vertical slot adjustability
- Limited lifetime warranty
- BHMA Grade 2 Compliant\*

## 87 Series Standards

**Dimensions:** 7/8" wide x 11/16" deep  
**Material:** 14 gauge, 304 grade stainless steel  
**Finish:** Stainless Steel (SS)

**Origin:** Made in the USA  
**Features:** Countersunk screw holes; center aligned slots and screw holes; precision cut lengths

## Pack Configurations

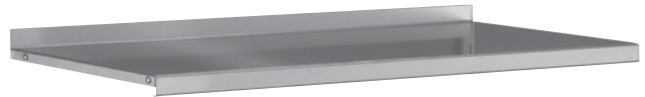


Standard	5 per carton, no UPC labels
<b>87 Series Standards Standard Pack</b>	
<b>Size</b>	<b>Stainless Steel (SS)</b>
24"	87 SS 24
36"	87 SS 36
48"	87 SS 48
60"	87 SS 60
72"	87 SS 72



## 1987 Series Stainless Steel Shelving

**Material:** 14 gauge, 304 grade stainless steel  
**Finish:** Stainless Steel (SS) with brushed finish  
**Origin:** Made in the USA  
**Features:** Predrilled mounting holes to fasten to brackets; shelves are shipped with protective vinyl wrap



## Pack Configurations

Standard	5 per carton; except 20" x 32": 3 per carton
<b>1987 Series Stainless Steel Shelving Standard Pack</b>	
<b>Size</b>	<b>Stainless Steel (SS)</b>
8" x 32"	1987 SS 8X32
10" x 32"	1987 SS 10X32
12" x 32"	1987 SS 12X32
16" x 32"	1987 SS 16X32
20" x 32"	1987 SS 20X32

\*Standards and brackets meet or exceed ANSI performance standards as established by BHMA testing requirements.

# 87™ /186™ /187™ Super-Duty Stainless Steel Standard and Bracket System

## 186LL and 187LL Series Stainless Steel Lock Lever Brackets

- Material:** 14 gauge 304 grade stainless steel  
**Finish:** Brushed Stainless Steel (SS)  
**Origin:** Made in the USA  
**Features:** Holds up to 560 lbs. per pair of brackets\*; lever lock for easy installation, stability and safety; predrilled holes for mounting 1987 Series shelves or attaching shelf rests; two or three complete locking teeth



### Pack Configurations

Standard	10 per carton, no UPC labels
<b>186 Series Brackets Standard Pack</b>	
<b>Size</b>	<b>Stainless Steel (SS)</b>
8"	186LL SS 8
10"	186LL SS 10
<b>187 Series Brackets Standard Pack</b>	
12"	187LL SS 12
14"	187LL SS 14
16"	187LL SS 16
18"	187LL SS 18
20"	187LL SS 20
24"	187LL SS 24

NOTE: Stainless Steel brackets do not work with 87 steel standards.

186LL SS



187LL SS



□ Non-stock item – minimum order quantities and additional lead time may apply.

\*Standards and brackets meet or exceed ANSI performance standards as established by BHMA testing requirements.

## 5mm Shelf Supports for Built-In Shelving

### 326 ANO and 326 BR Grommets

**Grommet Diameter:** For 7/32" (5.556mm) holes  
**Pin Diameter:** Designed for 5mm pin diameters  
**Finish:** Anochrome (ANO), Brass-look (BR)  
**Packed:** 1000 per bag, 4 bags per carton



### 339 WH Plastic Locking Shelf Support for 3/4" Shelves

**Pin Diameter:** Designed for 5mm holes  
**Pin Length:** 1/4"  
**Finish:** White (WH)  
**Packed:** 100 per bag, 25 bags per carton



### 330 ANO and 330 STB Shelf Supports

**Pin Diameter:** Designed for 5mm holes  
**Finish:** Anochrome (ANO), Statuary Bronze (STB)  
**Packed:** 2000 per bag, 4 bags per carton



### 340 WH Plastic Locking Shelf Supports for 1" Shelves

**Pin Diameter:** Designed for 5mm holes  
**Pin Length:** 1/4"  
**Finish:** White (WH)  
**Packed:** 100 per bag, 5 bags per carton



### 332 ANO and 332 BR Shelf Supports

**Pin Diameter:** Designed for 5mm holes  
**Pin Length:** 5/16" (8mm)  
**Shelf Rest:** 5/16" (8mm) wide x 7/16" (11mm) long  
**Finish:** Anochrome (ANO), Brass-look (BR)  
**Packed:** 1000 per bag, 4 bags per carton



### 345 Series Metal Shelf Pins\*

**Pin Diameter:** Designed for 5mm holes  
**Pin Length:** 5/16" (8mm)  
**Shelf Rest:** 1/2" (13mm) wide x 11/16" (17mm) long  
**Finish:** Nickel Plated (NP), Brass-Look (BR), Walnut (WAL)



### 338 Series Plastic Shelf Support Pins

**Pin Diameter:** Designed for 5mm holes  
**Pin Length:** 5/16" (8mm)  
**Shelf Rest:** 7/16" (11mm) wide x 13/32" (10mm) long  
**Finish:** Almond (ALM), Brown (BRN), Clear Plastic (CL), White (WH)



### Pack Configurations

Standard	100 pieces per carton		
Poly (P)	12 supports per bag; 10 bags per carton		
345 Series Shelf Support			
Pack Configuration	Nickel Plated (NP)	Brass-Look (BR)	Walnut (WAL)
Standard Pack	345 NP	345 BR	345 WAL
Poly (P) Pack	345P NP	345P BR	345P WAL

### Pack Configurations

Standard	100 pieces per carton			
Poly (P)	12 supports per bag; 10 bags per carton			
338 Series Shelf Support				
Pack Configuration	Almond (ALM)	Brown (BRN)	Clear Plastic (CL)	White (WH)
Standard Pack	338 ALM	338 BRN	338 CL	338 WH
Poly (P) Pack	-	-	338P CL	338P WH

### 348 ALM, 348 BRN and 348 WH Vinyl Coated Shelf Supports

**Pin Diameter:** Designed for 5mm holes; use 13/64" diameter drill bit  
**Pin Length:** 5/16" (8mm)  
**Shelf Rest:** 1/2" (13mm) wide x 11/16" (17mm) long  
**Finish:** Almond (ALM), Brown (BRN), White (WH)  
**Packed:** 1000 pieces per carton



## 1/4" and 7/32" Shelf Supports and Grommets

### 325 ANO and 325 BR Grommets

**Grommet Diameter:** For 9/32" (7.143mm) holes  
**Pin Diameter:** Designed for 1/4" pin diameters  
**Finish:** Anochrome (ANO), Brass-look (BR)  
**Packed:** 1000 per bag, 4 bags per carton



### 333 ZC and 333 BR Shelf Supports

**Pin Diameter:** Designed for 7/32" holes; use 15/64" diameter drill  
**Pin Length:** 1/2" (13mm)  
**Shelf Rest:** 9/16" (14mm) wide x 7/16" (11mm) long  
**Finish:** Zinc (ZC), Brass-look (BR)  
**Packed:** 1000 per carton



### 331 ANO and 331 BR Shelf Supports

**Pin Diameter:** Designed for 1/4" holes  
**Pin Length:** 3/8" (9mm)  
**Shelf Rests:** 3/8" (9mm) wide x 1/2" (13mm) long  
**Finish:** Anochrome (ANO), Brass-look (BR)  
**Packed:** 1000 per bag, 4 bags per carton



### 335 Series Plastic Shelf Support Pins

**Pin Diameter:** Designed for 1/4" holes  
**Pin Length:** 7/16" (11mm)  
**Shelf Rest:** 1/2" (13mm) wide x 17/32" (14mm) long  
**Finish:** Clear Plastic (CL), Plastic (PLAS), White (WH)



### Pack Configurations

Standard	10 pieces per carton
Poly (P)	12 supports per bag; 10 bags per carton
Warehouse Pack (WP)	12 supports per bag; 50 bags per carton
<b>335 Series Shelf Support</b>	
<b>Pack Configuration</b>	<b>Clear Plastic (CL)</b> <b>Plastic (PLAS)</b> <b>White (WH)</b>
Standard Pack	335 CL   335 PLAS   335 WH
Poly (P) Pack	335P CL   335P PLAS   335P WH
Warehouse Pack (WP)	335WP CL   -   335WP WH

### 346 Series Metal Shelf Pins\*

**Pin Diameter:** Designed for 1/4" holes  
**Pin Length:** 3/8" (9mm)  
**Shelf Rest:** 1/2" (13mm) wide x 11/16" (17mm) long  
**Finish:** Anochrome (ANO), Brass-Look (BR), Walnut (WAL)



### Pack Configurations

Standard	100 pieces per carton
Poly (P)	12 supports per bag; 10 bags per carton
<b>346 Series Shelf Support</b>	
<b>Pack Configuration</b>	<b>Anochrome (ANO)</b> <b>Brass-Look (BR)</b> <b>Walnut (WAL)</b>
Standard Pack	346 ANO   346 BR   346 WAL
Poly (P) Pack	346P ANO   346P BR   346P WAL

## Utility Shelving Brackets

### 204 Series Reinforced Heavy-Duty L-Bracket

- Material:** 12 gauge steel  
**Finish:** Anochrome (ANO)  
**Origin:** Made in the USA  
**Features:** Shelf retaining lip; keyhole slot for easy installation; predrilled screw holes in top of bracket for easy fastening to wood shelves; BHMA Grade 2 Compliant\*



#### Pack Configurations

Standard	24 per carton
<b>204 Series Brackets</b>	
<b>Size</b>	<b>Anochrome (ANO)</b>
4"	204 ANO 4
6"	204 ANO 6
8"	204 ANO 8
10"	204 ANO 10
12"	204 ANO 12

### 206 Series Extra-Duty Folding L-Bracket

- Finish:** Zinc (ZC), White (WH)  
**Features:** Holds up to 750 lbs. per pair\*; 4 adjustable positions: 90°, 80°, 70°, and 0° (closed position)\*\*; all steel construction with spring-loaded release lever; predrilled screw holes in top of bracket for easy fastening to wood shelves; BHMA Grade 2 Compliant\*

206 ZC



206 WH



#### Pack Configurations

Standard	10 per display carton with UPC labels attached	
<b>206 Series Folding L-Brackets</b>		
<b>Size</b>	<b>Zinc (ZC)</b>	<b>White (WH)</b>
12"	206 ZC 12	206 WH 12
16"	206 ZC 16	206 WH 16

\*\*Angle has a tolerance of +1°. May need to shim for level installations.

\*Standards and brackets meet or exceed ANSI performance standards as established by BHMA testing requirements.

## Utility Shelving Brackets

### 208 Series Ultimate L-Bracket

**Finish:** Black (BLK), Titanium (TI), White (WH)

**Features:** Holds up to 1,200 lbs. per pair\*; super-duty bracket; corrosion resistant Epoxy-Coated finish; 5mm steel bar and 3/4" steel strut; BHMA Grade 2 Compliant\*

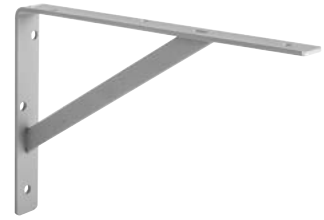
#### Pack Configurations

Standard	10 per display carton with UPC labels		
<b>208 Series Bracket</b>			
<b>Size</b>	<b>Black (BLK)</b>	<b>Titanium (TI)</b>	<b>White (WH)</b>
300mm	208 BLK 300	208 TI 300	208 WH 300
400mm	208 BLK 400	208 TI 400	208 WH 400
500mm	208 BLK 500	208 TI 500	208 WH 500
550mm	208 BLK 550	208 TI 550	208 WH 550

208 BLK



208 TI



208 WH



### 221 Series Utility L-Bracket

**Finish:** Gray (GRY), White (WH)

**Features:** Holds up to 120 lbs. per pair\*; regular-duty bracket; durable powder coat finish

#### Pack Configurations

Standard	20 per carton with UPC labels	
<b>221 Series Bracket</b>		
<b>Size</b>	<b>Gray (GRY)</b>	<b>White (WH)</b>
5" x 6"	221 GRY 5X6	221 WH 5X6
6" x 8"	221 GRY 6X8	221 WH 6X8
8" x 10"	221 GRY 8X10	221 WH 8X10
10" x 12"	221 GRY 10X12	221 WH 10X12
12" x 14"	221 GRY 12X14	221 WH 12X14

221 WH



221 GRY

\*Standards and brackets meet or exceed ANSI performance standards as established by BHMA testing requirements.

## Decorative Shelf Brackets

### 88 and 888 Series Wood Shelf Anchor

**Finish:** Almond (ALM), Black (BLK), White (WH)  
**Features:** Regular-duty bracket; 88 anchors for use with 5/8" thick shelves (KV1980); 888 anchors for use with 3/4" thick shelves (KV1990); an almost invisible shelf support; all hardware included

#### Pack Configurations

Standard	5 per carton		
<b>88 Series Anchor Standard Pack</b>			
<b>Size</b>	<b>Almond (ALM)</b>	<b>Black (BLK)</b>	<b>White (WH)</b>
24"	88 ALM 24	88 BLK 24	88 WH 24
36"	88 ALM 36	88 BLK 36	88 WH 36
48"	88 ALM 48	88 BLK 48	88 WH 48
<b>888 Series Anchor Standard Pack</b>			
24"	—	888 BLK 24	888 WH 24
36"	—	888 BLK 36	888 WH 36

ALM 



BLK 



WH 



### 216 Series Simplicity™ Shelf Bracket

**Finish:** White (WH)  
**Features:** BHMA Grade 2 Compliant\*; heavy-duty steel; accented with decorative plastic trim that hides mounting hardware

#### Pack Configurations

Poly	10 pair per carton (all sizes) with header card	
<b>216 Series Bracket Poly Pack (P)</b>		
<b>Size</b>	<b>White (WH)</b>	
8"	216P WH 8	
10"	216P WH 10	



### 215 Series Slim-Line™ Shelf Bracket

**Finish:** Black (BLK), White (WH)  
**Features:** BHMA Grade 2 Compliant\*; accented with decorative plastic trim that hides mounting hardware

#### Pack Configurations

Standard	8"–30 per carton; 10"–24 per carton; 12"–18 per carton	
Special Pack	10 per carton (all sizes)	
<b>215 Series Bracket Standard Pack</b>		
<b>Size</b>	<b>Black (BLK)</b>	<b>White (WH)</b>
8"	215 BLK 8	215 WH 8
10"	215 BLK 10	215 WH 10
12"	215 BLK 12	215 WH 12
<b>215 Series Bracket Special Pack (SP)</b>		
8"	215SP BLK 8	215SP WH 8
10"	215SP BLK 10	215SP WH 10
12"	215SP BLK 12	215SP WH 12

BLK



WH



### 217 Series Silhouette™ Shelf Bracket

**Finish:** Black (BLK), White (WH)  
**Features:** BHMA Grade 2 Compliant\*; heavy-duty steel; center rib for superior strength; countersunk screw holes

#### Pack Configurations

Standard	8"–30 per carton; 10"–24 per carton; 12"–18 per carton	
Special Pack	10 per carton (all sizes)	
<b>217 Series Bracket Standard Pack</b>		
<b>Size</b>	<b>Black (BLK)</b>	<b>White (WH)</b>
8"	217 BLK 8	217 WH 8
10"	217 BLK 10	217 WH 10
12"	217 BLK 12	217 WH 12
<b>217 Series Bracket Special Pack (SP)</b>		
8"	217SP BLK 8	217SP WH 8
10"	217SP BLK 10	217SP WH 10
12"	217SP BLK 12	217SP WH 12

BLK



WH



\*Standards and brackets meet or exceed ANSI performance standards as established by BHMA testing requirements.



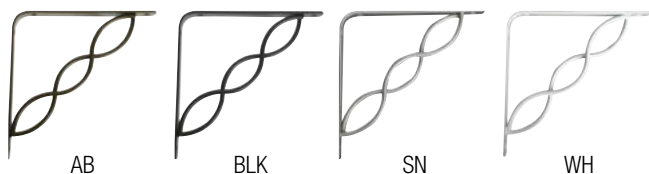
## 200 Series Designer Decorative Shelf Brackets

### Concord 200C Series Decorative Brackets

**Finish:** Antique Bronze (AB), Black (BLK), Satin Nickel (SN), White (WH)  
**Features:** Holds up to 50 lbs. per pair\*; BHMA Grade 1 Compliant\*; distinct traditional styles fit any decor; screw holes for easy mounting; 6" size for 6"–8" deep shelves; 8" size for 8"–12" shelves

#### Pack Configurations

Standard	10 carded pieces per carton			
200C Series Concord Decorative Shelf Bracket				
Size	Antique Bronze (AB)	Black (BLK)	Satin Nickel (SN)	White (WH)
6"	200C AB 6	200C BLK 6	200C SN 6	200C WH 6
8"	200C AB 8	200C BLK 8	200C SN 8	200C WH 8

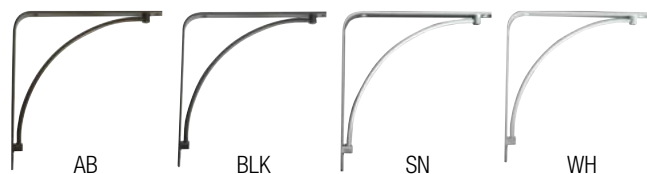


### Manchester 200M Series Decorative Brackets

**Finish:** Antique Bronze (AB), Black (BLK), Satin Nickel (SN), White (WH)  
**Features:** Holds up to 50 lbs. per pair\*; BHMA Grade 1 Compliant\*; distinct traditional styles fit any decor; screw holes for easy mounting; 6" size for 6"–8" deep shelves; 8" size for 8"–12" shelves

#### Pack Configurations

Standard	10 carded pieces per carton			
200M Series Manchester Decorative Shelf Bracket				
Size	Antique Bronze (AB)	Black (BLK)	Satin Nickel (SN)	White (WH)
6"	200M AB 6	200M BLK 6	200M SN 6	200M WH 6
8"	200M AB 8	200M BLK 8	200M SN 8	200M WH 8

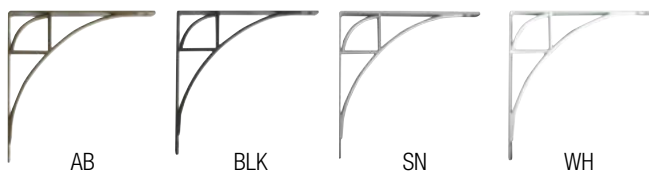


### Oak Park 2000P Series Decorative Brackets

**Finish:** Antique Bronze (AB), Black (BLK), Satin Nickel (SN), White (WH)  
**Features:** Holds up to 100 lbs. per pair\*; BHMA Grade 1 Compliant\*; distinct contemporary styles fit any decor; screw holes for easy mounting; 6" size for 6"–8" deep shelves; 8" size for 8"–12" shelves; cast zinc insets

#### Pack Configurations

Standard	10 carded pieces per carton			
2000P Series Oak Park Decorative Shelf Bracket				
Size	Antique Bronze (AB)	Black (BLK)	Satin Nickel (SN)	White (WH)
6"	2000P AB 6	2000P BLK 6	2000P SN 6	2000P WH 6
8"	2000P AB 8	2000P BLK 8	2000P SN 8	2000P WH 8

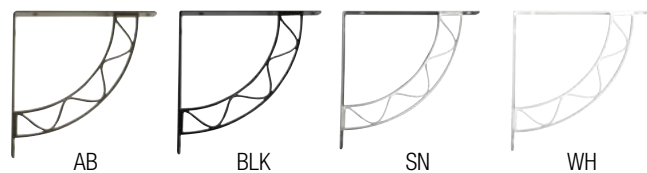


### Stockton 200S Series Decorative Brackets

**Finish:** Antique Bronze (AB), Black (BLK), Satin Nickel (SN), White (WH)  
**Features:** Holds up to 100 lbs. per pair\*; BHMA Grade 1 Compliant\*; distinct contemporary styles fit any decor; screw holes for easy mounting; 6" size for 6"–8" deep shelves; 8" size for 8"–12" shelves; cast zinc insets

#### Pack Configurations

Standard	10 carded pieces per carton			
200S Series Stockton Decorative Shelf Bracket				
Size	Antique Bronze (AB)	Black (BLK)	Satin Nickel (SN)	White (WH)
6"	200S AB 6	200S BLK 6	200S SN 6	200S WH 6
8"	200S AB 8	200S BLK 8	200S SN 8	200S WH 8



#### Finish:



\*Standards and brackets meet or exceed ANSI performance standards as established by BHMA testing requirements.

# 200 Series Designer Decorative Shelf Brackets

## Baton Rouge 200BR Series Decorative Brackets

**Finish:** Antique Bronze (AB), Black (BLK), Satin Nickel (SN), White (WH)  
**Features:** Holds up to 200 lbs. per pair\*; BHMA Grade 2 Compliant\*; distinct elegant styles fit any decor; screw holes for easy mounting; 8" size for 8"-12" shelves; cast zinc insets

## Charleston 200CH Series Decorative Brackets

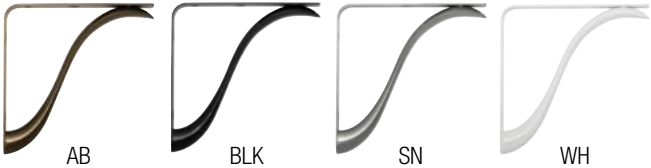
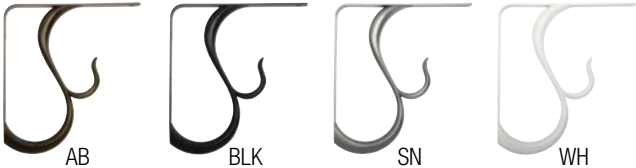
**Finish:** Antique Bronze (AB), Black (BLK), Satin Nickel (SN), White (WH)  
**Features:** Holds up to 200 lbs. per pair\*; BHMA Grade 2 Compliant\*; distinct elegant styles fit any decor; screw holes for easy mounting; 8" size for 8"-12" shelves; cast zinc insets

### Pack Configurations

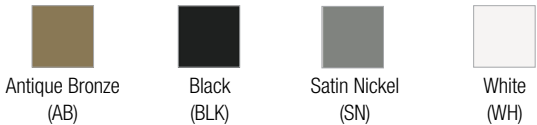
Standard	10 carded pieces per carton			
<b>200BR Series Baton Rouge Decorative Shelf Bracket</b>				
Size	Antique Bronze (AB)	Black (BLK)	Satin Nickel (SN)	White (WH)
8"	200BR AB 8	200BR BLK 8	200BR SN 8	200BR WH 8

### Pack Configurations

Standard	10 carded pieces per carton			
<b>200CH Series Charleston Decorative Shelf Bracket</b>				
Size	Antique Bronze (AB)	Black (BLK)	Satin Nickel (SN)	White (WH)
8"	200CH AB 8	200CH BLK 8	200CH SN 8	200CH WH 8



**Finish:**



\*Standards and brackets meet or exceed ANSI performance standards as established by BHMA testing requirements.

# Shelf Board

## 1980 Series All-Purpose Shelf Board

**Finish:** Diamond Ash (DA), Espresso (ESP), Maple (MPL), Oak (OK), Walnut (W), White (WH)

**Origin:** Made in China

**Features:** Holds up to 200 lbs. when properly installed; 5/8" thick with square corners; scratch and stain resistant for long life; easy to clean surface



## Pack Configurations

Standard	5 per carton, with the exception: 12" x 72" packed 3 per carton					
1980 Series Shelving Standard Pack						
Size	Diamond Ash (DA)	Espresso (ESP)	Maple (MPL)	Oak (OK)	Walnut (W)	White (WH)
8" x 24"	1980 DA 8X24	1980 ESP 8X24	1980 MPL 8X24	1980 OK 8X24	1980 W 8X24	1980 WH 8X24
8" x 36"	1980 DA 8X36	1980 ESP 8X36	1980 MPL 8X36	1980 OK 8X36	1980 W 8X36	1980 WH 8X36
8" x 48"	1980 DA 8X48	1980 ESP 8X48	1980 MPL 8X48	1980 OK 8X48	1980 W 8X48	1980 WH 8X48
10" x 24"	1980 DA 10X24	1980 ESP 10X24	1980 MPL 10X24	1980 OK 10X24	1980 W 10X24	1980 WH 10X24
10" x 36"	1980 DA 10X36	1980 ESP 10X36	1980 MPL 10X36	1980 OK 10X36	1980 W 10X36	1980 WH 10X36
10" x 48"	1980 DA 10X48	1980 ESP 10X48	1980 MPL 10X48	1980 OK 10X48	1980 W 10X48	1980 WH 10X48
12" x 24"	1980 DA 12X24	1980 ESP 12X24	1980 MPL 12X24	1980 OK 12X24	1980 W 12X24	1980 WH 12X24
12" x 36"	1980 DA 12X36	1980 ESP 12X36	1980 MPL 12X36	1980 OK 12X36	1980 W 12X36	1980 WH 12X36
12" x 48"	1980 DA 12X48	1980 ESP 12X48	1980 MPL 12X48	1980 OK 12X48	1980 W 12X48	1980 WH 12X48
12" x 72"	–	–	–	–	–	1980 WH 12X72



## *Closet and Specialty Hardware*

<b>Door &amp; Mirror Hardware</b> .....	<b>108</b>	<b>Closet Rods</b> .....	<b>120</b>
Magnetic and Bullet Catches .....	108	660 Series Heavy-Duty Round Closet Rods .....	120
Sliding Door Pulls .....	108	750 Series Heavy-Duty Round Closet Rods .....	120
Mirror Clips/Glass Clips, Fittings and Latches .....	109	770 Series Extra-Duty Round Closet Rods .....	120
		Round Closet Rod Mounting Flanges and Accessories .....	121
<b>Drawer Accessories</b> .....	<b>110</b>	880 Series Extra-Duty Oval Closet Rods .....	122
Index Followers .....	110	Adjustable Closet Rods .....	123
Label Holders .....	110		
Locks .....	110	<b>Closet Brackets</b> .....	<b>124</b>
Pulls .....	110	1180 Series Closet Shelf Brackets .....	124
		1190 Series Closet Rods and Shelf Brackets .....	125
<b>Cabinet Hardware</b> .....	<b>111</b>		
Fasteners .....	111	<b>Closet Storage Aids</b> .....	<b>127</b>
Hinges .....	111	Utility Hooks .....	127
		Coat and Hat Hook .....	127
<b>Sliding Door Hardware</b> .....	<b>112</b>	Hang Rod .....	128
Glass Door Locks .....	112	Clothing Carrier .....	128
Door Rollers .....	112	Towel Bar .....	128
Sheaves .....	113		
Fiber Track and Guides .....	114		
Plastic Tracks and Guides .....	115		
Plastic Door Track Packaged Assemblies .....	116		
Steel Tracks and Guides .....	117		
Roll-Ezy Ball-Bearing Track Systems .....	118		
Roll-Ezy Aluminum Track Systems .....	119		

## Magnetic and Bullet Catches

### Magnetic Catches

#### 918 ALUM Heavy-Duty Aluminum Magnetic Catch

Size: 2-1/16" width x 1" depth x 3/4" tall

Finish: Aluminum (ALUM)

Packed: 10 per carton, packed in a clear envelope with screws

Pull Strength: 7 lbs.



### Bullet Catches

#### 901 BR DIP Varnish-Proof Steel Catch with Barrel and Spring

Size: 3/8" diameter, 1/2" long,  
5/8" diameter strike

Finish: Brass-look (BR)

Packed: 100 per carton



#### 902 BR DIP Steel Catch with Barrel and Spring

Size: 21/64" diameter, 3/8" long,  
5/8" diameter strike

Finish: Brass-look (BR)

Packed: 100 per carton

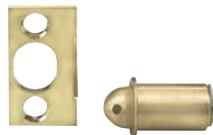


#### 903 BR DIP Adjustable Brass Catch

Size: 3/8" diameter; 5/8" long;  
9/16" x 1-1/16" diameter strike

Finish: Brass-look (BR)

Packed: 100 per carton

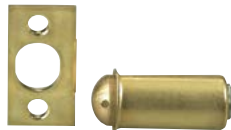


#### 905 BR DIP Adjustable Brass-look Catch

Size: 1/2" diameter; 1-1/32" long;  
5/8" x 1-1/4" diameter strike

Finish: Brass-look (BR)

Packed: 50 per carton with screws



## Sliding Door Pulls

### Knob Pulls

#### 813 ANO Oval Flush Finger Pull\*

Size: Over-flange 3/16" x 2-7/8"

Bore 51/64" x 2-1/2" x 25/64" deep

Finish: Anochrome (ANO)

Origin: Made in the USA

Packed: 100 per carton



#### 1088 ANOD Knob Pull

Finish: Zinc plated steel (ANOD)

Packed: Sets of: 2 knobs, screws,  
and rubber bumpers per envelope  
50 sets per carton

Features: Mounts to 1095 shoe (1092 assembly)



### Finger Pulls

#### 801X BR, 801X NP, 803X BR and 803X NP Flush Finger Pull

Size: 801X: 31/32" outside diameter,  
Bore 25/36" hole diameter, 1/4" depth  
803X: 31/32" outside diameter,  
Bore 25/36" hole diameter, 3/8" depth

Finish: Nickel Plate (NP), Brass-look (BR)

Origin: Made in the USA

Packed: 100 per carton



#### 806 ANO Flush Finger Pull\*

Size: 2-1/16" outside diameter

Bore 1-3/4" hole diameter, 13/32" depth

Finish: Anochrome (ANO)

Origin: Made in the USA

Packed: 10 per carton



#### 836 ANO Threaded Finger Pull

Size: 1-1/16" outside diameter, cut a 13/16" diameter hole  
for installation

Finish: Anochrome (ANO)

Origin: Made in the USA

Packed: 50 per carton

Features: Two-piece screw-together pull for glass 3/16"  
to 5/16" thick; with beveled edges



# Mirror Clips/Glass Clips, Fittings and Latches

## Mirror Clips/Glass Clips

### 6092 PLAS and PK6092 Plastic Mirror Clips

**Size:** For 1/4" thick glass/mirror  
**Finish:** Clear Plastic (PLAS)  
**Packed:** 6092: 100 per carton with screws  
 PK6092 PLAS: 6 per poly bag with screws; 24 bags per carton



### 6094 PLAS Plastic Mirror Clip

**Size:** For 1/8" thick glass/mirror  
**Finish:** Clear Plastic (PLAS)  
**Packed:** 100 per carton with screws



### 6875 PLAS Plastic Star Mirror Clip

**Size:** 1-1/8" diameter  
**Finish:** Clear Plastic (PLAS)  
**Packed:** 100 per carton with screws



### 266 CHR Cast Mirror Clip

**Size:** 1-1/16" long x 3/4" wide, for 1/4" thick glass/mirror  
**Finish:** Chrome (CHR)  
**Packed:** 12 per carton with screws



### 268 CHR Heavy-Duty Cast Mirror Clip

**Size:** 1-1/4" long x 11/16" wide, for 1/4" thick glass/mirror  
**Finish:** Chrome (CHR)  
**Packed:** 12 per carton with screws



### 277 ANO Bottom-Mount Steel Mirror Clip

**Size:** 1-1/2" wide x 1" high, for 1/4" thick glass/mirror  
**Finish:** Anochrome (ANO)  
**Origin:** Made in the USA  
**Packed:** 10 per carton  
**Features:** Screw attached bottom flange for snug mounting



### 278 ANO Top-Mount Steel Mirror Clip

**Size:** 1-1/2" wide x 1-1/8" high, for 1/4" thick glass/mirror  
**Finish:** Anochrome (ANO)  
**Origin:** Made in the USA  
**Packed:** 10 per carton  
**Features:** Screw attached upper flange for snug mounting



### 288 ANO Steel Mirror Clip

**Size:** 1/2" wide, for 1/4" thick glass/mirror  
**Finish:** Anochrome (ANO)  
**Origin:** Made in the USA  
**Packed:** 100 per carton



### 309 ANO Steel Mirror Clip

**Size:** 9/16" wide x 1-1/4" long, for 5/16" thick glass/mirror  
**Finish:** Anochrome (ANO)  
**Origin:** Made in the USA  
**Packed:** 100 per carton  
**Features:** Countersunk for #4 screws



### 313 ANO 1/2 and 313 ANO 3/4 Steel Mirror Clips

**Size:** 9/16" wide  
 313 ANO 1/2 for 1/2" thick glass/mirror  
 313 ANO 3/4 for 3/4" thick glass/mirror  
**Finish:** Anochrome (ANO)  
**Origin:** Made in the USA  
**Packed:** 100 per carton



#### 313 Series Steel Mirror Clips

Product	Finish
313 ANO 1/2	Anochrome
313 ANO 3/4	Anochrome

### 318 ANO Steel Mirror Clip

**Size:** 9/16" wide x 1-1/4" long, for 5/16" thick glass/mirror  
**Finish:** Anochrome (ANO)  
**Origin:** Made in the USA  
**Packed:** 100 per carton  
**Features:** Countersunk elongated slot for #5 flat head screws; elongated mounting hole for adjustable installation



### 537 ZC Steel Hanger

**Size:** 1-13/16" tall x 5/8" wide  
**Finish:** Zinc (ZC) plated steel  
**Origin:** Made in the USA  
**Packed:** 100 per carton  
**Features:** Two 3/16" screw holes, one keyhole



## Fittings

### 306 ANO Glass Fitting

**Size:** 9/16" wide x 1-1/4" long  
**Finish:** Anochrome (ANO)  
**Packed:** 100 per carton  
**Origin:** Made in the USA  
**Features:** Countersunk for #4 screws



## Latches

### 989 Series Secret Gate Latch

**Size:** 2" x 2-3/8"  
**Finish:** Brass-look, Aluminum  
**Packed:** 12 per carton  
**Features:** Interchangeable left or right hand mounting



#### 989 Series Secret Gate Latch

Product	Finish
989 SPR BR	Brass-look
989 ALUM	Aluminum

☐ Non-stock item – minimum order quantities and additional lead time may apply.

# Index Followers, Label Holders, Locks and Pulls



## Index Followers and Track

### 475F ZC Card Sized Index Follower

**Size:** Mounted plate is 2-11/16" from track and 4-3/4" wide  
**Finish:** Anochrome (ANO)  
**Origin:** Made in the USA  
**Packed:** 10 per carton



### 476F ZC Letter Sized Index Follower

**Size:** Mounted plate is 7-5/8" from track and 10-3/4" wide  
**Finish:** Anochrome (ANO)  
**Origin:** Made in the USA  
**Packed:** 10 per carton



### 476T ZC 26 Index Follower Track

**Size:** 26" long; may be recessed in a 2-1/4" x 1/4" slot  
**Finish:** Anochrome (ANO)  
**Origin:** Made in the USA  
**Packed:** 10 per carton with screws



## Label Holders

### 701 ANO Label Holder

**Size:** 2-5/8" x 1-7/16" for card dimension of 2" x 1"  
**Finish:** Anochrome (ANO)  
**Origin:** Made in the USA  
**Packed:** 100 per carton



### 704 ANO Label Holder

**Size:** 3-1/2" x 1-3/4" for card dimension of 2-15/16" x 1-1/2"  
**Finish:** Anochrome (ANO)  
**Origin:** Made in the USA  
**Packed:** 100 per carton



## Drawer Locks

### 986 Series Drawer Lock

**Size:** Mounting flange: 1-1/2" x 2" wide with screw holes on 1-7/16" centers; barrel OD: 7/8"; bolt travel: 3/8"  
**Finish:** Polished Nickel (NP)  
**Origin:** Made in the USA  
**Packed:** 12 per carton  
**Features:** Available keyed alike; mounts to material up to 7/8" thick



#### 986 Series Drawer Locks

Product	Finish	Keyed
986KA 70 NP	Nickel (NP)	Alike

## Drawer Pulls

### 819X Flush Drawer Pull

**Size:** 1-3/4" x 3-1/4" x 9/16" deep with beveled edges  
**Finish:** Anochrome (ANO), Dull Brass (BR), Polished Brass (PB)  
**Packed:** 12 per carton with screws



#### 819X Flush Drawer Pull

Product	Finish
819X ANO	Anochrome (ANO)
819X BR	Dull Brass (BR)
819X PB	Polished Brass (PB)

### 822 ALUM Extruded Aluminum Pull

**Size:** 3-7/8" long  
**Finish:** Aluminum (ALUM)  
**Packed:** 12 per carton



# Fasteners and Hinges

## Surface Fasteners

320 STL Table Top Fastener, 1" width  
 323 STL Table Top Fastener, 5/8" width  
 324 STL Table Top Fastener, 3/4" width  
**Finish:** Steel (STL)  
**Origin:** Made in the USA  
**Packed:** 100 per carton



341 ZC and 342 ZC Corner Brace  
**Size:** 341: 1" x 1" installed  
 342: 2" x 2" installed  
**Finish:** Zinc (ZC)  
**Origin:** Made in the USA  
**Packed:** 100 per carton



1547 STL Desk Top Fastener  
**Finish:** Steel (STL)  
**Origin:** Made in the USA  
**Packed:** 100 per carton



1548 ZC Desk Top Fastener  
**Finish:** Zinc (ZC)  
**Origin:** Made in the USA  
**Packed:** 500 per carton



521 ZC Hanger Plate (1/16" steel)  
**Size:** 13/16" x 2"  
**Finish:** Zinc (ZC)  
**Origin:** Made in the USA  
**Packed:** 100 per carton  
**Features:** Use with 3/4" #10 flathead wood screws



## Bolt Style Fastener

510 ZC Joint Fastener  
**Size:** 4" bolt with plate 5/16" x 5/8" x 1-1/2"  
**Finish:** Zinc (ZC)  
**Packed:** 100 per carton  
**Features:** An economical fastener, easy to install



513 ZC Joint Fastener  
**Size:** 4" bolt with flat bar plate  
 7/16" x 3/16" x 1-1/4"  
**Finish:** Zinc (ZC)  
**Packed:** 100 per carton



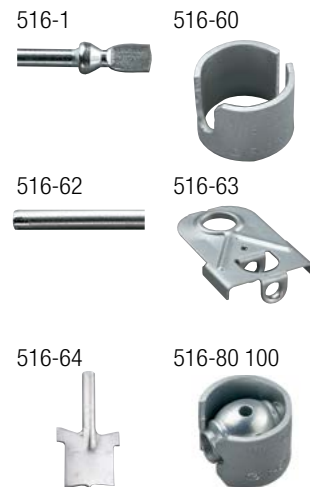
517 ZC Joint Fastener  
**Size:** 3-1/2" bolt with flat bar plate 7/16" x 3/16" x 1-1/4"  
**Finish:** Zinc (ZC)  
**Packed:** 100 per carton



## Tite-Joint® Fastener

516 ZC designed for 3/4" wood  
**Size:** Center-to-center 2" to 3-1/2"  
**Finish:** Zinc (ZC)  
**Origin:** Made in the USA  
**Features:** Applies an even, controlled pressure between joint members to eliminate twisting and buckling

Pack Configurations		
Standard	25 per carton	
Builders (BP)	100 per carton	
516 Fasteners Zinc (ZC)		
Standard	Builders (BP)	
516/25 ZC	516/100 ZC	
516 Joint Fastener Accessory Parts		
Product	Description	Packed
516-1	Draw Bolt	1 per carton
516-60	Locking Sleeve	1 per carton
516-62	Tightening Rod	1 per carton
516-63	Drill Guide	1 per carton
516-64	Drill	1 per carton
516-80 100	Tightening Assembly	1 per carton



## Hinges

472 ANO Steel Support Hinge  
**Size:** 6" or 10"  
**Finish:** Anochrome (ANO)  
**Origin:** Made in the USA



Pack Configurations				
Standard	12 pair (left and right handed) per carton with screws			
Optional	Left or right hand packaged separately in cartons of 24			
472 Support Hinges Standard Pack				
Standard	Finish	Product	Finish	Handed
472 ANO 6	Anochrome (ANO)	472L ANO 6	Anochrome (ANO)	Left
472 ANO 10	Anochrome (ANO)	472L ANO 10	Anochrome (ANO)	Left
		472R ANO 6	Anochrome (ANO)	Right
		472R ANO 10	Anochrome (ANO)	Right



## Locks and Door Rollers

### Sliding Glass Door Locks

962KA 440 CHR Adjustable Ratchet Lock for 3/4" glass

963KA 440 CHR Adjustable Ratchet Lock for 1/4" glass\*

Size: Adjustable 3/4" to 3-3/8"

Finish: Chrome (CHR)

Packed: 12 per carton

Features: 962 fits any door to 3/4" with thumbscrew adjustment  
963 fits 1/4" sliding glass doors, keyed alike



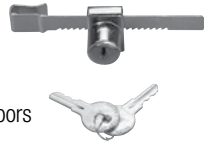
### 965 Ratchet Locks

Size: Adjustable from 1" to 3-3/8"

Finish: Polished Nickel (NP)

Packed: 12 per carton

Features: Adjustable lock for 1/4" sliding glass doors



#### 965 Ratchet Locks

Product	Finish	Keyed
965KA 50 NP	Polished Nickel	Alike

### 984KA 90 NP Plunger Lock

Size: Mounting flange: 7/8" x 2" with screw holes on 1-1/2" centers; Barrel: 7/8" outside diameter; Plunger travel: 15/32"; Plunger receptacle: 1/2" (outside diameter) x 7/16"

Finish: Polished Nickel (NP)

Packed: 12 per carton

Features: Keyed alike only



### Door Rollers

#### 420 STL Door Roller

Size: Frame: 7/16" x 1-7/8";

Nylon roller: 9/16" diameter; 5/16" wide

Finish: Steel (STL)

Packed: 100 per carton



#### 422 STL Door Roller

Size: Frame: 5/8" x 1-13/16";

Nylon roller: 9/16" diameter; 1/2" wide

Finish: Steel (STL)

Packed: 100 per carton



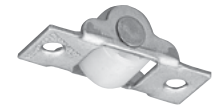
#### 423 STL Door Roller

Size: Frame: 5/8" x 1-13/16";

Steel roller: 5/8" diameter; 1/2" wide

Finish: Steel (STL)

Packed: 100 per carton



#### 424 STL Door Roller

Size: Frame: 1" x 2";

Steel roller: 5/8" diameter; 7/8" wide

Finish: Steel (STL)

Packed: 50 per carton



## Sheaves

### 413X BR Brass Sheave

**Size:** Frame: 2-15/16" x 7/16"; Wheel: 1-3/16" diameter  
**Finish:** Bronze wheel with a Brass-look (BR) frame  
**Packed:** 50 per carton with screws  
**Features:** Brass wheel on self-lubricating bearing; for use with KV tracks 455, 467, and 469



### 607 ZC Side Mount Steel Sheave

**Size:** Frame: 2-5/16" x 1-5/16"; Wheel: 1-3/8" diameter  
**Finish:** Steel (STL)  
**Packed:** 50 per carton  
**Features:** Heavy-duty ball-bearing sheave with side fastening plate; for use with KV tracks 455, 467, and 469



### 427 STL Steel Sheave

**Size:** Frame: 2-15/16" x 1/2"; Wheel: 1-3/16" diameter  
**Finish:** Steel (STL)  
**Packed:** 50 per carton  
**Features:** Ball-bearing round groove sheave; for use with KV tracks 455, 467, and 469



### 620 STL Steel Sheave

**Size:** Frame: 7/16" x 1-7/8"; Wheel: 11/16" x 9/32"  
**Finish:** Steel (STL)  
**Packed:** 100 per carton  
**Features:** Axle bearing grooved steel roller; for use with KV tracks 455, 467, and 469



### 429 STL Steel Sheave

**Size:** Frame: 2-1/4" x 3/8"; Wheel: 1" diameter  
**Finish:** Steel (STL)  
**Packed:** 100 per carton  
**Features:** Round groove sheave; for use with KV tracks 455, 467, and 469



### 400A STL Concealed Steel Sheave

**Size:** Case: 1-1/4" x 5/16"; Flange: 1-3/4" x 9/16"  
**Finish:** Steel (STL)  
**Packed:** 100 per carton  
**Features:** Ball-bearing sheave drive type; for use with KV tracks 455, 467, and 469



### 430 STL Steel Sheave

**Size:** Frame: 2-3/4" x 1/2"; Wheel: 1-3/8" diameter  
**Origin:** Made in the USA  
**Finish:** Steel (STL)  
**Packed:** 50 per carton  
**Features:** Ball-bearing round groove sheave; for use with KV tracks 455, 467, and 469



### 402 STL Concealed Steel Sheave

**Size:** Frame: 1-1/4" x 5/16"; Flange: 2-1/4" x 5/16"  
**Finish:** Steel (STL)  
**Packed:** 100 per carton  
**Features:** Ball-bearing sheave; for use with KV tracks 455, 467, and 469



### 430 N STL Neoprene Treaded Steel Sheave

**Size:** Frame: 2-3/4" x 1/2"; Wheel: 1-3/8" diameter  
**Finish:** Steel (STL)  
**Packed:** 50 per carton  
**Features:** Flat neoprene tire, ball-bearing sheave; used without track



### 580 STL Concealed Steel Sheave

**Size:** Case: 1-1/4" x 5/16"; Flange: 1-3/4" x 9/16"  
**Finish:** Steel (STL)  
**Packed:** 100 per carton  
**Features:** Nylon round groove sheave for light doors; for use with KV tracks 455, 467, and 469



### 592 STL Convex Nylon Sheave

**Size:** Frame: 9/32" x 2-1/4"; Wheel: 1-3/16" diameter  
**Finish:** Steel (STL)  
**Packed:** 100 per carton  
**Features:** Convex nylon wheel for thin doors; for use with inverted KV track 455



### 582 STL Concealed Steel Sheave

**Size:** Case: 1-1/4" x 5/16"; Flange: 2-1/4" x 5/16"  
**Finish:** Steel (STL)  
**Packed:** 100 per carton  
**Features:** Nylon round groove sheave; for use with KV tracks 455, 467, and 469



### 594 NYLON Concave Nylon Sheave

**Size:** Frame: 2-15/16" x 1/2"; Wheel: 1-3/16" diameter  
**Finish:** Steel (STL)  
**Packed:** 50 per carton  
**Features:** For doors to 1-1/8" thick; nylon round groove wheel; for use with all KV tracks



## *Fiber Track and Guides for Sliding Doors*

### Fiber Track

---

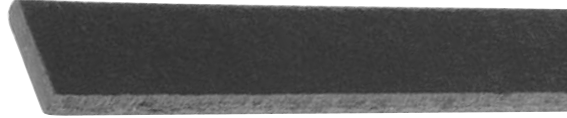
2401 FIBRE 72

Size: 1/8" width x 1/2" height x 72" length

Finish: Black

Packed: 1 each

2401



### Nylon Guides

---

2406 Nylon Guide

Size: 1" length x 1/4" width

Packed: 50 per carton

2406



2407 Nylon Guide

Size: 1-3/8" length x 3/8" width

Packed: 50 per carton

2407



## Plastic Tracks and Guides for Sliding Doors

### Plastic Track and Upper Guides for 1/4" Doors

#### 2412 Series Upper Guides\*

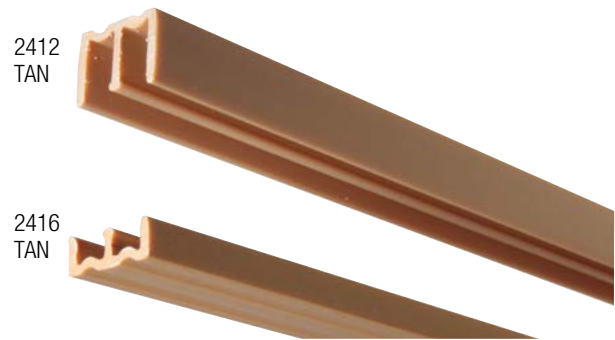
**Size:** 27/32" width x 9/16" height x 144" length  
**Finish:** Tan (TAN), Gray (GRY), and Walnut (WAL)  
**Packed:** 1 each

2412 Series Upper Guides	
Product	Finish
2412 GRAY 144	Gray (GRY)
2412 TAN 144	Tan (TAN)
2412 WAL 144	Walnut (WAL)

#### 2416 Series Lower Tracks\*

**Size:** 27/32" width x 5/16" height x 144" length  
**Finish:** Tan (TAN), Gray (GRY), and Walnut (WAL)  
**Packed:** 1 each

2416 Series Tracks	
Product	Finish
2416 GRAY 144	Gray (GRY)
2416 TAN 144	Tan (TAN)
2416 WAL 144	Walnut (WAL)



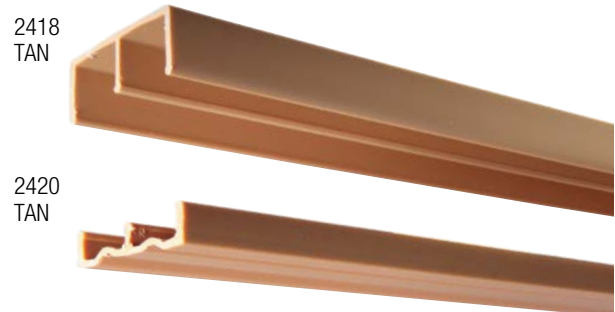
### Plastic Track and Upper Guides for 3/4" Doors

#### 2418 TAN 144 Upper Guide

**Size:** 1-15/16" width x 3/4" height x 144" length  
**Finish:** Tan (TAN)  
**Packed:** 1 each

#### 2420 TAN 144 Lower Track

**Size:** 1-15/16" width x 3/8" height x 144" length  
**Finish:** Tan (TAN)  
**Packed:** 1 each

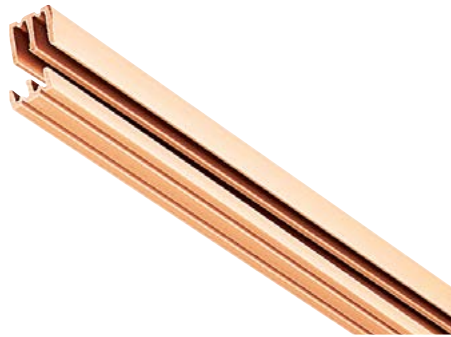


# Plastic Door Track Assemblies for Sliding Doors

## P2413 1/8" Door Assembly Kits

**Size:** 48", 60" and 72" lengths  
**Finish:** Tan (TAN), White (WH)  
**Packed:** 10 kits per carton

P2413  
TAN



P2413 1/8" Door Assembly Kits			
Product	Finish	Length	Door Size
P2413 TAN 48	Tan (TAN)	48"	1/8"
P2413 TAN 60	Tan (TAN)	60"	1/8"
P2413 TAN 72	Tan (TAN)	72"	1/8"
P2413 WH 48	White (WH)	48"	1/8"
P2413 WH 60	White (WH)	60"	1/8"
P2413 WH 72	White (WH)	72"	1/8"

## P2417 1/4" Door Assembly Kits

**Size:** 48", 60" and 72" lengths  
**Finish:** Tan (TAN), Walnut (WAL), White (WH)  
**Packed:** 10 kits per carton

P2417  
TAN

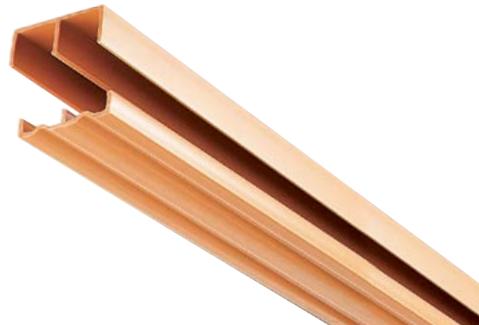


P2417 1/4" Door Assembly Kits			
Product	Finish	Length	Door Size
P2417 TAN 48	Tan (TAN)	48"	1/4"
P2417 TAN 60	Tan (TAN)	60"	1/4"
P2417 TAN 72	Tan (TAN)	72"	1/4"
P2417 WAL 48	Walnut (WAL)	48"	1/4"
P2417 WAL 60	Walnut (WAL)	60"	1/4"
P2417 WAL 72	Walnut (WAL)	72"	1/4"
P2417 WH 48	White (WH)	48"	1/4"
P2417 WH 60	White (WH)	60"	1/4"
P2417 WH 72	White (WH)	72"	1/4"

## P2419 3/4" Door Assembly Kits

**Size:** 48", 60" and 72" lengths  
**Finish:** Tan (TAN), White (WH)  
**Packed:** 10 kits per carton

P2419  
TAN



P2419 3/4" Door Assembly Kits			
Product	Finish	Length	Door Size
P2419 TAN 48	Tan (TAN)	48"	3/4"
P2419 TAN 60	Tan (TAN)	60"	3/4"
P2419 TAN 72	Tan (TAN)	72"	3/4"
P2419 WH 48	White (WH)	48"	3/4"
P2419 WH 60	White (WH)	60"	3/4"
P2419 WH 72	White (WH)	72"	3/4"

## P2421 1/2" Door Assembly Kits

**Size:** 48", 60" and 72" lengths  
**Finish:** Tan (TAN), White (WH)  
**Packed:** 10 kits per carton

P2421  
TAN



P2421 1/2" Door Assembly Kits			
Product	Finish	Length	Door Size
P2421 TAN 48	Tan (TAN)	48"	1/2"
P2421 TAN 60	Tan (TAN)	60"	1/2"
P2421 TAN 72	Tan (TAN)	72"	1/2"
P2421 WH 48	White (WH)	48"	1/2"
P2421 WH 60	White (WH)	60"	1/2"
P2421 WH 72	White (WH)	72"	1/2"

### Finish:



☐ Non-stock item – minimum order quantities and additional lead time may apply.

## Steel Tracks and Guides for Sliding Doors

### 455 STL 144 Lower Track

**Size:** 19/64" height x 21/32" width x 144" length  
**Finish:** Wrought Steel (STL)  
**Origin:** Made in the USA  
**Packed:** 1 each  
**Features:** 1/2" nails included



455 STL

### 455 SS 144 Lower Track

**Size:** 19/64" height x 21/32" width x 144" length  
**Finish:** Stainless Steel (SS)  
**Origin:** Made in the USA  
**Packed:** 1 each  
**Features:** 1/2" nails included



455 SS

### 467 STL 144 Lower Track

**Size:** 19/64" height x 7/16" width x 144" length  
**Finish:** Steel (STL)  
**Origin:** Made in the USA  
**Packed:** 1 each  
**Features:** 1/2" nails included



467

### 469 Series Double Lower Track

**Size:** Double track 1/4" height  
**Finish:** Zinc (ZC)  
**Origin:** Made in the USA  
**Packed:** 1 each  
**Features:** 1/2" #5 flat head wood nails included



469

#### 469 Series Double Lower Track

Product	Length
469 ZC 72	72"
469 ZC 96	96"
469 ZC 144	144"

### 953 ZC 144 Top Door Divider

**Size:** 5/8" height x 5/8" width x 144" length  
**Finish:** Pre-coated Steel (ZC)  
**Origin:** Made in the USA  
**Packed:** 1 each  
**Features:** Upper T-guide separates the sliding door at the top



953

# Roll-Ezy Ball-Bearing Track Systems

## Complete Assembly



### P992 Large Glass Door Track Assembly Kit

**Includes:** (1) 993 Upper Channel, (2) 995 Shoe, (2) 997 Carrier,  
(1) 999 Lower Track

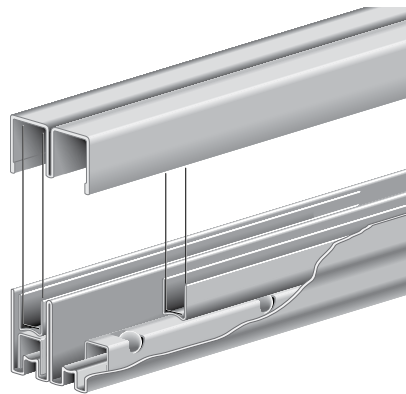
**Origin:** Made in the USA

**Packed:** 1 set per carton

**Features:** For large glass door applications, for 1/4" thick glass installations

Complete Assemblies	
Product	Installation Opening Width
P992 ZC 36	36"
P992 ZC 48	48"
P992 ZC 60	60"
P992 ZC 72	72"

**Installation Notes & Recommendations:**  
Knape & Vogt does not recommend butt-joints and/or openings longer than 12 feet.  
We recommend that the height to width ratio for glass doors should not exceed 2:1.



### 953 ZC 144 Top Door Divider

**Size:** 5/8" width x 5/8" height x 144" length

**Finish:** Zinc (ZC)

**Origin:** Made in the USA

**Packed:** 1 each

**Features:** Pre-coated steel upper T-guide for wood framed installations; for use with 1/4" glass doors only; for large glass door applications

953



### 993 ZC 144 Upper Channel

**Size:** 15/16" wide x 5/8" height x 144" length

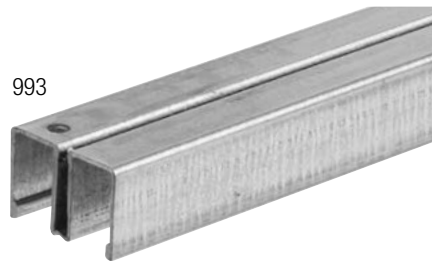
**Finish:** Zinc (ZC)

**Origin:** Made in the USA

**Packed:** 1 each

**Features:** Upper channel for top and ends of opening; wide divider maintains door position; for large glass door applications

993



### 995 ZC 144 Door Shoe

**Size:** 21/64" wide x 7/16" height x 144" length

**Finish:** Zinc (ZC)

**Origin:** Made in the USA

**Packed:** 1 each

**Features:** Lightly curved bottom for free rolling position on ball-bearings; for 1/4" glass, scant or full; for large glass door applications

995



### 997 ZC 144 Ball Carrier

**Size:** 3/8" wide x 17/32" height x 144" length

**Finish:** Zinc (ZC)

**Origin:** Made in the USA

**Packed:** 1 each

**Features:** Ball-bearing carrier has free rolling balls on 3" centers; unique design creates two point suspension between shoe and lower rack; for large glass door applications

997



### 999 ZC 144 Lower Track

**Size:** 1" wide x 1" high x 144" length

**Finish:** Zinc (ZC)

**Origin:** Made in the USA

**Packed:** 1 each

**Features:** Balls ride freely on curved anvil with no contact against sides of lower track; for large glass door applications

999



**NOTE:** For each foot of opening use 1' of upper channel and lower track and shoe (plus 1" per door for overlap), with 1-1/2' of carrier (1-1/2 times door width for each door). Glass is cut 1-1/4" lower than height of opening.

# Roll-Ezy Aluminum Track Systems

## Complete Assembly



### P1092 Small to Medium Glass Door Track Assembly Kit

**Includes:** (1) 1093 Upper Channel, (4) 1097 Rollers,  
(4) 1085 Vinyl Guides, (2) 1095 Shoe, (1) 1099 Lower Track

**Packed:** 1 set per carton

**Features:** For small to medium size glass door installations;  
for 1/4" thick glass

Complete Assemblies	
Product	Length
P1092 ANOD 36	36"
P1092 ANOD 48	48"
P1092 ANOD 60	60"
P1092 ANOD 72	72"

**Installation Notes & Recommendations:**  
Knape & Vogt does not recommend butt-joints  
and/or openings longer than 12 feet.  
We recommend that the height to width ratio for  
glass doors should not exceed 2:1.



### 1093 144 Upper Channel

**Size:** 1-3/16" width x 9/16" height x 144" length

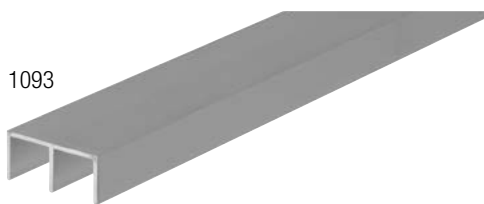
**Finish:** Aluminum (AL)

**Origin:** Made in the USA

**Packed:** 1 each

**Features:** Double channel for tops, bottoms, and ends; for small to  
medium size glass door installations; for 1/4" thick glass

1093



### 1095 144 Door Shoe

**Size:** 27/64" width x 1" height x 144" length

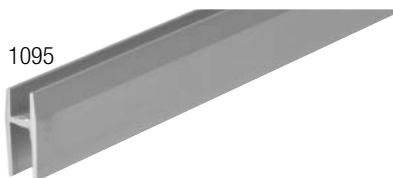
**Finish:** Aluminum (AL)

**Origin:** Made in the USA

**Packed:** 1 each

**Features:** Rollers to be inserted in the bottom; for small to medium  
size glass door installations; for 1/4" thick glass

1095



### 1096 144 Single Lower Track

**Size:** 31/64" width x 15/32" height x 144" length

**Finish:** Aluminum (AL)

**Origin:** Made in the USA

**Packed:** 1 each

**Features:** For single doors, or may be used with 1093 double channel  
for covered installation; for small to medium size glass door  
installations; for 1/4" thick glass

1096



NOTE: Cut glass 1-1/2" lower than opening when using 1096/1093 tracks

### 1099 144 Double Lower Track

**Size:** 1-1/16" width x 1/4" height x 144" length

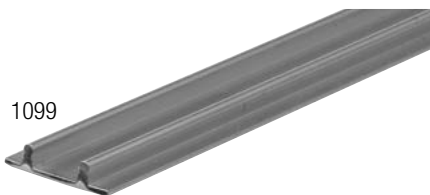
**Finish:** Aluminum (AL)

**Origin:** Made in the USA

**Packed:** 1 each

**Features:** For small to medium size glass door installations;  
for 1/4" thick glass

1099



NOTE: Cut glass 1-3/16" lower than opening when using 1099 track

### 1085 VINYL Guide

**Size:** 7/8" length

**Finish:** Vinyl (VINYL)

**Origin:** Made in the USA

**Packed:** 100 per carton

**Features:** Vinyl guide fits over the top of glass for noiseless operation  
in upper channel; for small to medium size glass door  
installations; for 1/4" thick glass



### 1087 RUB Rubber Bumper

**Finish:** Rubber (RUB)

**Packed:** 100 per carton

**Features:** Rubber bumper installs in jambs to cushion glass



### 1097 NYLON Nylon Rollers

**Finish:** Nylon (NYLON)

**Origin:** Made in the USA

**Packed:** 100 per carton

**Features:** Rubber roller press fits into bottom of 1095 shoe



### 1098 ZC Steel Ball-bearing Roller

**Finish:** Zinc (ZC)

**Origin:** Made in the USA

**Packed:** 20 per carton

**Features:** Steel ball-bearing roller press fits into bottom  
of 1095 shoe





## Round Closet Rods

### 660 Series Heavy-Duty Round Closet Rods

#### 660 Series Heavy-Duty Round Closet Rod

**Diameter:** Outside 1-1/16"; Inside 29/32"; Wall thickness 0.087"  
**Finish:** Stainless Steel (SS)  
**Origin:** Made in the USA  
**Packed:** 6 per carton  
**Features:** Steel core with solid stainless steel



660 Series Heavy-Duty Round Closet Rods	
Length	Stainless Steel (SS)
48"	660 SS 48
60"	660 SS 60
72"	660 SS 72
96"	660 SS 96
120"	660 SS 120
144"	660 SS 144

### 750 Series Heavy-Duty Round Closet Rods

#### 750 1 Heavy-Duty Round Closet Rod

**Diameter:** Outside: 1-1/16"; Inside: 29/32"; Wall thickness: 0.075"  
**Finish:** Chrome (CHR)  
**Packed:** 6 per carton



#### 750 5 Heavy-Duty Round Closet Rod

**Diameter:** Outside 1-5/16"; Inside 1-5/32"; Wall thickness 0.075"  
**Finish:** Chrome (CHR)  
**Packed:** 6 per carton

750 Series Heavy-Duty Round Closet Rods		
Length	750 1 Series	750 5 Series
72"	750 1 72	750 5 72
96"	750 1 96	750 5 96
120"	750 1 120	750 5 120
144"	750 1 144	750 5 144

### 770 Series Extra-Duty Round Closet Rods

#### 770 1 Extra-Duty Round Closet Rod

**Diameter:** Outside: 1-1/16"; Inside: 27/32"; Wall thickness: 0.106"  
**Finish:** Chrome (CHR)  
**Packed:** 6 per carton



#### 770 5 Extra-Duty Round Closet Rod

**Diameter:** Outside: 1-5/16"; Inside: 61/64"; Wall thickness: 0.106"  
**Finish:** Chrome (CHR)  
**Packed:** 6 per carton

770 Series Extra-Duty Round Closet Rods		
Length	770 1 Series	770 5 Series
48"	770 1 48	-
60"	770 1 60	-
72"	770 1 72	770 5 72
96"	770 1 96	770 5 96
120"	770 1 120	770 5 120
144"	770 1 144	770 5 144

# Round Closet Rod Mounting Flanges and Accessories

## 734 BR and 734 CHR Closed Wall-Mount Flange\*

**Finish:** Brass (BR), Chrome (CHR)  
**Packed:** 50 per carton with screws  
**Holes:** 2 screw holes on 2" centers  
**Features:** For 660, 750 1 and 770 1 Series Closet Rods



## 757 ANO Pilaster Flange\*

**Finish:** Anochrome (ANO)  
**Origin:** Made in the USA  
**Packed:** 100 per carton  
**Features:** Fits 255 or 233 series pilaster; for 660, 750 1 and 770 1 Series Closet Rods



## 735 BR and 735 CHR Open Wall-Mount Flange\*

**Finish:** Brass (BR), Chrome (CHR)  
**Packed:** 50 per carton with screws  
**Holes:** 2 screw holes on 2" centers  
**Features:** For 660, 750 1 and 770 1 Series Closet Rods



## 632 CHR Line Bore Flange

**Finish:** Chrome (CHR)  
**Packed:** 100 per carton  
**Features:** Screw hole for extra mounting strength; two 5mm pins; for use with 750 1 and 770 1 Series Closet Rods



## 764 CHR Closed Wall-Mount Flange\*

**Finish:** Chrome (CHR)  
**Packed:** 12 per carton with screws  
**Holes:** 3 holes spaced 1-1/8" from center  
**Features:** For 750 5 and 770 5 Series Closet Rods



## 760 ANO 24" Center Closet Rod Support

**Finish:** Anochrome (ANO)  
**Origin:** Made in the USA  
**Packed:** 12 per carton with screws  
**Features:** Center support 24" can be cut to size; for 660, 750 1 and 770 1 Series Closet Rods



## 766 CHR Open Wall-Mount Flange\*

**Finish:** Chrome (CHR)  
**Packed:** 12 per carton with screws  
**Holes:** 2 holes on 2-1/4" centers, one at 90°  
**Features:** For 750 5 and 770 5 Series Closet Rods



## 730 ANO End Cap

**Finish:** Anochrome (ANO)  
**Packed:** 50 per carton  
**Features:** For use with 660 Series Closet Rods



## 731 ANO End Cap

**Finish:** Anochrome (ANO)  
**Packed:** 50 per carton  
**Features:** For 750 1 and 770 1 Series Closet Rods  
**NOTE:** May need to modify prongs for 750 1 installation



## 732 ANO End Cap

**Finish:** Anochrome (ANO)  
**Packed:** 50 per carton  
**Features:** For 750 5 and 770 5 Series Closet Rods  
**NOTE:** May need to modify prongs for 750 5 installation



## 742 CHR Three-Tier Wall Mount Flange

**Finish:** Chrome (CHR)  
**Packed:** 12 per carton with screws  
**Holes:** 3 screw holes  
**Features:** For 660, 750 1 and 770 1 Series Closet Rods



### 742 Series Three-Tier Wall Mount Flange

Product	Finish
742 CHR	Chrome (CHR)

☐ Non-stock item – minimum order quantities and additional lead time may apply.



\* WoodWork Institute Acknowledged Products

Customer Service: 1.800.253.1561

# 880 Series Extra-Duty Oval Closet Rods

## Oval Closet Rods

### 880 Series Oval Closet Rod

**Size:** 30mm high x 15mm wide; wall thickness 1.2mm

**Finish:** Chrome (CHR)

**Packed:** 10 per carton lengths

**Features:** Heavy gauge, invisible welded seam



Length	Chrome (CHR)
96"	880 CHR 96
144"	880 CHR 144

## Mounting Flanges

### 881 CHR Mounting Flange

**Finish:** Chrome (CHR)

**Packed:** 50 per carton

**Holes:** Screw hole for extra mounting strength

**Features:** For use with 880 oval tubing; for line bore installation; two 5mm pins



Front

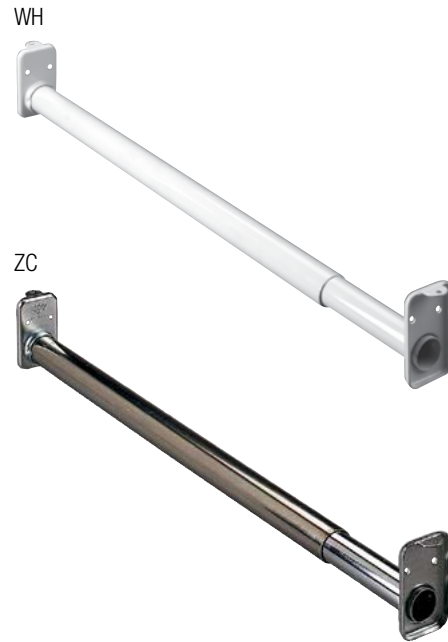
Back

# Adjustable Closet Rods

## KV2 Series Adjustable Closet Rods

**Finish:** White (WH), Zinc (ZC)  
**Features:** Attached end flanges; hardware included;  
 2-1/2" hook drop depth

Pack Configurations			
Standard Pack	10 per carton up to 60"-96" size; 5 per carton for 72"-120" and above		
Builders Pack (BP)	20 per carton		
	KV2 Zinc (ZC)	KV2 White (WH)	KV2BP Zinc (ZC)
Length	Standard Pack	Standard Pack	Builders Pack (BP)
18"-30"	KV2 ZC 18	KV2 WH 18	KV2BP ZC 18
30"-48"	KV2 ZC 30	KV2 WH 30	KV2BP ZC 30
48"-72"	KV2 ZC 48	KV2 WH 48	-
60"-96"	KV2 ZC 60	KV2 WH 60	-
72"-120"	KV2 ZC 72	KV2 WH 72	-
96"-144"	KV2 ZC 96	-	-



### 29201 ANO Center Hanger Support

**Finish:** Anochrome (ANO)  
**Packed:** 12 per carton  
**Features:** Use with installations of 72" or more in width



## 0020 Series Heavy-Duty Adjustable Closet Rods

**Diameter:** 1-1/4" outside diameter  
**Finish:** Brushed Nickel (BN), Bronze (BRZ), Chrome (CH), Warm White (WT)  
**Packed:** 6 per carton  
**Features:** Adjustable heavy-duty closet rods are quick and simple to install and create a quality finished look; the rod quickly attaches to included flanges for easy installation, no cutting necessary; hardware included

Heavy-Duty Adjustable Closet Rods				
Length	Brushed Nickel (BN)	Bronze (BRZ)	Chrome (CH)	Warm White (WT)
30"-48"	RP0020-30/48BN	RP0020-30/48BRZ	RP0020-30/48CH	RP0020-30/48WT
48"-72"	RP0020-48/72BN	RP0020-48/72BRZ	RP0020-48/72CH	RP0020-48/72WT
72"-120"	RP0020-72/120BN	RP0020-72/120BRZ	RP0020-72/120CH	RP0020-72/120WT



# 1180 Series Closet Shelf Brackets

## 1186 Regular-Duty Adjustable Shelf Bracket

**Finish:** Warm White (WT)

**Packed:** 10 per carton

**Features:** Holds up to 150 lbs. per pair; install with or without wall cleat; 13 gauge steel platform; 16 gauge steel support strut; for 11" to 14" deep shelves; adjusts from 10-1/4" to 10-3/4"



Size	Warm White (WT) Finish
12"	1186BP WT 12

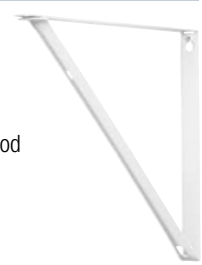
## 1188 Heavy-Duty Fixed Shelf Bracket

**Size:** 16", 20"

**Finish:** Warm White (WT)

**Packed:** 10 per carton

**Features:** Holds up to 500 lbs. per pair; optional rod hook (1188BP WT HOOK); 14 gauge steel construction



Size	Warm White (WT) Finish
16"	1188BP WT 16
20"	1188BP WT 20

## 1187 Heavy-Duty Fixed Shelf Bracket

**Size:** 12", 16", 20"

**Finish:** Chrome (CH), Warm White (WT)

**Packed:** 10 per carton

**Features:** Holds up to 500 lbs. per pair; 14 gauge steel construction



Size	Chrome (CH) Finish	Warm White (WT) Finish
12"	1187BP CHR 12	1187BP WT 12
16"	–	1187BP WT 16
20"	–	1187BP WT 20

## 1188 Closet Rod Hook

**Finish:** Warm White (WT)

**Packed:** 20 per carton

**Features:** For 1-1/4" to 1-5/16" closet rod; for use with 1188 bracket



Product	Finish
1188BP WT HOOK	Warm White (WT)

☐ Non-stock item – minimum order quantities and additional lead time may apply.

# 1190 Series Closet Rods and Shelf Brackets

## Adjustable Closet Rod and Shelf Brackets

### 1190 Economy Rod and Shelf Bracket

**Finish:** Warm White (WT)

**Packed:** 10 per carton

**Hook Depth:** 2-1/2"

**Features:** Holds up to 150 lbs. per pair; use with up to 11"-14" deep shelves; must be installed with wall cleat; 12 gauge steel platform; KV2 compatible



Warm White (WT)
1190BP WT 12

### 1191 Regular-Duty Adjustable Rod and Shelf Bracket

**Finish:** Warm White (WT)

**Packed:** 10 per carton

**Hook Depth:** 2-1/2"

**Features:** Holds up to 300 lbs. per pair; KV2 compatible; use with up to 1-3/8" OD closet rods; for 11"-14" deep shelves; install with or without wall cleat; shelf platform is 10" without cleat; 14 gauge steel platform



Warm White (WT)
1191BP WT 12

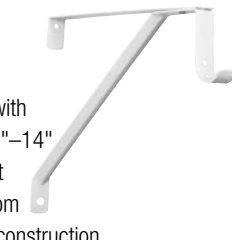
### 1192 Regular-Duty Adjustable Rod and Shelf Bracket

**Finish:** Warm White (WT)

**Packed:** 10 per carton

**Hook Depth:** 3"

**Features:** Holds up to 300 lbs. per pair; use with up to 1-3/8" OD closet rods; for 11"-14" deep shelves; install with or without wall cleat; shelf platform adjusts from 10-1/4"-10-3/4"; 14 gauge steel construction



Warm White (WT)
1192BP WT 12

### 1194 Heavy-Duty Adjustable Rod and Shelf Bracket

**Finish:** Cream White (CREAM),  
Bright White (WH)

**Packed:** 10 per carton

**Hook Depth:** 3"

**Features:** Holds up to 500 lbs. per pair; use with up to 1-3/8" OD closet rods; for 11"-14" deep shelves; install with or without wall cleat; shelf platform adjusts from 10-1/4" - 10-3/4"; low profile design; 13 gauge steel construction



Cream White (CREAM)	Bright White (WH)
1194 CREAM	1194 WH

## Fixed Closet Rod and Shelf Brackets

### 1193 Regular-Duty Fixed Rod and Shelf Bracket

**Finish:** Warm White (WT)

**Packed:** 10 per carton

**Hook Depth:** 2-1/2"

**Features:** Holds up to 400 lbs. per pair; KV2 compatible; use with up to 1-3/8" OD closet rods; for 11"-14" deep shelves; 10-7/8" shelf platform; one-piece design provides superior strength; 16 gauge steel construction



Warm White (WT)
1193BP WT 12

### 1195 Heavy-Duty Fixed Rod and Shelf Bracket

**Finish:** Cream White (CREAM)

Bright White (WH)

**Packed:** 10 per carton

**Hook Depth:** 2-1/2"

**Features:** Holds up to 500 lbs. per pair; KV2 compatible; use with up to 1-3/8" OD closet rods; for 11"-14" deep shelves; 11" shelf platform; 12 gauge steel construction



Cream White (CREAM)	Bright White (WH)
1195 CREAM	1195 WH

### 1196 Heavy-Duty Fixed Rod and Shelf Bracket

**Finish:** Chrome (CHR), Warm White (WT)

**Packed:** 10 per carton

**Hook Depth:** 3"

**Features:** Holds up to 500 lbs. per pair; use with up to 1-3/8" OD closet rods; for 11"-14" deep shelves; 11" shelf platform; one-piece design provides superior strength; 14 gauge steel construction



Chrome (CHR)	White (WT)
1196BP CHR 12	1196BP WT 12

### 1197 Heavy-Duty Fixed Rod and Shelf Bracket

**Finish:** Warm White (WT)

**Packed:** 10 per carton

**Hook Depth:** 3"

**Features:** Holds up to 500 lbs. per pair; use with up to 1-3/8" OD closet rods; for 10-1/2" - 14" deep shelves; 10-5/16" shelf platform; patented Slide-Thru™ feature; 14 gauge steel construction



Warm White (WT)
1197BP WT12

☐ Non-stock item – minimum order quantities and additional lead time may apply.

# 1190 Series Closet Rods and Shelf Brackets

## Fixed Closet Rod and Shelf Brackets

### 1198 Extra-Duty Fixed Rod and Shelf Bracket

**Finish:** Brushed Nickel (BN), Bronze (BRZ), Chrome (CHR), Warm White (WT)

**Packed:** 10 per carton

**Hook Depth:** 3"

**Features:** Holds up to 1,000 lbs. per pair; for 11-1/2" –14" deep shelves; snap-in pole feature for 1-1/4" – 1-5/16" OD closet rods; 11" -1/4" shelf platform; patented Slide-Thru™ feature; 10 gauge steel construction

Brushed Nickel (BN)	Bronze (BRZ)	Chrome (CHR)	White (WT)
1198BP BN 12	1198BP BRZ 12	1198BP CHR 12	1198BP WT 12

1198 BN



1198 BRZ



1198 CHR



1198 WT



### 1199 Heavy-Duty Fixed Rod and Shelf Bracket

**Finish:** Warm White (WT)

**Packed:** 10 per carton

**Hook Depth:** 3-3/4"

**Features:** Holds up to 500 lbs. per pair; for 14"–18" deep shelves; snap-in pole feature for 1-1/4"–1-5/16" OD closet rods; 14" shelf platform; patented Slide-Thru™ feature; 13 gauge steel construction

**Warm White (WT)**

1199 BP WT 16

1199 WT



☐ Non-stock item – minimum order quantities and additional lead time may apply.

## Utility and Coat Hooks

### Utility Hooks

#### 1132 ANO Single Prong Utility Hook

**Size:** 3", 4", 6" and 10"  
**Finish:** Anochrome (ANO)  
**Origin:** Made in the USA  
**Packed:** 12 per carton with screws  
**Features:** Sturdy hook for commercial use



SKU Number	Length
1132 ANO 3	3"
1132 ANO 4	4"
1132 ANO 6	6"
1132 ANO 10	10"

#### PKV3 ANO Heavy-Duty Single Prong Utility Hook

**Size:** 5-1/2" or 10" lengths  
**Finish:** Anochrome (ANO)  
**Origin:** Made in the USA  
**Packed:** 10 units per carton with screws  
**Features:** Sturdy steel rod for extra hanging space



SKU Number	Length
PKV3 ANO 5-1/2	5-1/2"
PKV3 ANO 10	10"

#### P1198 ANO Double Prong Utility Hook

**Size:** 11-3/4" long  
 3/8" diameter prongs  
 spaced 2.7" apart  
**Finish:** Anochrome (ANO)  
**Origin:** Made in the USA  
**Packed:** 10 per carton  
**Features:** Double prong utility hooks for storing mops, brooms, shovels, rakes, and more



SKU Number	Length
P1198 ANO	11-3/4"

### Garment Hook

#### 2038 CHR and P2038 CHR Coat and Hat Hook

**Finish:** Chrome (CHR)  
**Packed:** 2038 CHR - 12 units per carton with screws  
 P2038 CHR - 1 per poly bag with header;  
 10 per carton  
**Features:** Classic institutional garment hook;  
 coat and hat hook



Non-stock item – minimum order quantities and additional lead time may apply.



## Valet Rods, Clothing Carriers and Towel Bars

### Hang Rod

#### 753 ANO Telescopic Valet Rod

**Size:** 7/16" diameter rod, extends 5/8"–8-1/4"  
**Finish:** Anochrome (ANO)  
**Origin:** Made in the USA  
**Packed:** 1 per carton with screws; 12 per carton  
**Features:** Extends from 5/8"–8-1/4"; for convenient hanging storage; retract to get it out of the way when not in use



### Clothing Carrier

#### KV1 ANO Clothing Carrier

**Size:** 10": fits 10" shelf only  
 12": fits 12"–16" depth shelves  
 16": fits 16"–20" depth shelves  
 20": fits 20"–24" depth shelves  
**Finish:** Anochrome (ANO)  
**Origin:** Made in the USA  
**Packed:** 1 per bag with screws, 12 bags per carton  
**Features:** Mounts under closet shelves, greatly increasing capacity, and makes garments more accessible



SKU Number	Travel
KV1 ANO 10	10"
KV1 ANO 12	12"
KV1 ANO 16	16"
KV1 ANO 20	20"

### Heavy-Duty Slide-Out Towel Bar

#### P793 ANO Slide-Out Towel Bar

**Size:** 18" length x 5" width  
**Finish:** Anochrome (ANO)  
**Packed:** 10 units per carton  
**Features:** Side mounts to either left or right hand side of the cabinet; rack mounts with 4 screws; all steel construction; three bars accommodate at least three towels or cloths



☐ Non-stock item – minimum order quantities and additional lead time may apply.

# Index

Index	212 96	510 111	1096 119	7982 90	8900 58
4x4 Pocket Door Full Overlay Kit 77	213C 96	513 111	1097 119	8000 63	8908 59
0020 123	215 103	516 111	1098 119	8040 71	8909 59
70 84	216 103	517 111	1099 119	8041 71	8910 59
71 84	217 103	521 111	1123 10, 11, 13, 14	8042 71	24276 82
79 88, 90	221 102	537 109	1132 127	8043 71	29201 123
80 85	229 82	580 113	1175 10	8044 71	200230-7 86
80-88DP 86	233 83	582 113	1186 124	8045 71	200231-0 86
82 89	237 79, 83	592 113	1187 124	8050 72	200234-9 86
82DP 80, 89	238 83	594 113	1188 124	8070 74	200235-2 86
83 91	239 82	607 113	1190 125	8071 74	200239-4 86
85 93	242 83	620 113	1191 125	8072 74	200241-1 86
87 95, 97	243 82	632 121	1192 125	8080 75	GS2070 38
87-10 96	244 82	660 120	1193 125	8081 75	GS4200 31
88 103	255 81	701 110	1194 125	8082 75	GS4205 32
101 15, 79, 88	255-81N 83	704 110	1195 125	8090P 74, 75, 76	GS4260 33
102 79, 88	256 82	730 121	1196 125	8091 76	GS4270 34
103 79, 88	266 109	731 121	1197 125	8092 76	GS4340 31, 32, 33, 34
103-1/2L 88	268 109	732 121	1198 126	8100 67	KV1 128
103-1/2R 88	277 109	734 121	1199 126	8150 68	KV2 123
104 88	278 109	735 121	1260 11	8157 68	MuV+ 39
104-1/2 88	288 109	742 121	1265 11	8200 69	MUV1D-RL 39, 40, 41, 42
106 79, 80, 93, 120	306 109	750 120	1275 12	8250 70	MUV2D-RL 39, 40, 41, 42
107 1, 80, 93	309 109	753 128	1284 13	8300 16	MUV3D-RL 39, 40, 41, 42
113L 91, 93	313 109	757 82, 121	1300 14	8350 17	MuV+34 40
113R 91, 93	318 109	760 121	1303 11, 12, 14	8355 17	MuV+34HD 42
119 88, 91, 96, 107	320 111	764 121	1304 11, 14	8357 17	MUV-124 39, 40, 41, 42
129 1, 88, 93, 96	323 111	766 121	1305 14	8400 22-23	MuV+HD 41
134 91	324 111	770 120	1315 14	8400RV 27	MUV-RBM 39, 40
135 91	326 99	801X 108	1375 14	8401 23, 24, 25, 26	MUV-RBP 39, 40
136 88	330 99	803X 108	1547 111	8402 23, 24, 25, 26	P793 128
137 88	331 100	806 108	1548 111	8404 23, 24, 25, 26, 27, 30	P992 118
153 88	332 99	813 108	1805 15	8405 24	P1092 119
154 88	333 100	819X 110	1980 106	8407 25	P1198 127
159LL 91, 93	335 100	822 110	1987 95	8414 26	P2038 127
160LL 87	338 99	836 108	1987 SS 97	8417 27	P2413 116
161LL 79, 80, 92	339 99	880 122	2038 127	8419 27	P2417 116
170 84	340 99	881 122	2070 38	8420 28	P2419 116
170E 84	341 111	888 103	2401 114	8425 29	P2421 116
179 87	342 111	901 108	2406 114	8450FM 30	PK6092 109
180 86	345 99	902 108	2407 114	8455FM 30	PKV3 127
181 87	346 100	903 108	2412 115	8500 46	Salice Hinge Kits 78
182 90	348 99	905 108	2416 115	8500T 64	TT100 35
182BE 80, 89	400A 113	918 108	2418 115	8505 46	TT401 35, 36
182DP 80, 89	402 113	953 117, 118	2420 115	8505T 64	
183 92	413X 113	962KA 112	4101B 18, 19, 20	8505T 64	
185 94	420 112	963KA 112	4104B 18, 19, 20	8520 47	
186LL 96	422 112	965 112	4400 18	8520T 64	
186LL SS 98	423 112	984KA 112	4430 19	8525 47	
187LL 96	424 112	986 110	4450 20	8525T 64	
187LL SS 98	427 113	989 109	4461D 66	8600 48	
191 91, 93	429 113	993 118	4500 36	8605 49	
192 91, 93	430 113	995 118	6092 109	8620 50	
200 104, 105	455 117	997 118	6094 109	8625 51	
204 101	467 117	999 118	6300 61	8650FM 52	
206 101	469 117	1085 119	6400 62	8655FM 53	
208 102	472 111	1087 119	6500 44	8810 54	
210 84, 96	475F 110	1088 108	6505 45	8815 55	
211 96	476F 110	1093 119	6875 109	8820 56	
	476T 110	1095 119	7980 88	8825 57	

# *Knappe and Vogt Limited Warranty*

## Limited Lifetime Warranty for Commercial Business Products

### 15 Year Limited Warranty for Ergonomics Products

This warranty is given to the initial purchaser of new commercial and ergonomic products purchased from Knappe & Vogt Manufacturing Company and its subsidiaries. The warranty covers defects in materials and workmanship. The warranty does not apply to defects resulting from misuse, damage or abuse, normal wear and tear, accident, modification, improper installation or maintenance, third party materials or damage during shipping. The warranty is not transferable and does not cover any subsequent purchasers of the products.

Definitions of the specific warranty time periods by product can be obtained from Customer Service at 1.800.253.1561. The warranty time period begins on the date of purchase for all products. Applicable warranty time periods are based on one 8-hour shift per day usage, and warranty time periods are adjusted and shortened proportionally for any multiple shift or excess usage.

During the warranty period, Knappe & Vogt, will, at its option, repair or replace any defective product with a comparable product or component. This limited warranty is for repair or replacement of defective products only and does not cover any other costs such as removal, installation, or other related expenses.

For warranty service, please contact Knappe & Vogt Manufacturing Company, 2700 Oak Industrial Drive, Grand Rapids, MI 49505, Attention: Customer Service. Information regarding the claimed defect and date of purchase of the product must be provided. Any defective product must be returned postage or freight prepaid to Knappe & Vogt.

THIS LIMITED WARRANTY CONSTITUTES THE ONLY WARRANTY FOR THE PRODUCTS AND ALL OTHER WARRANTIES OR REPRESENTATIONS, EXPRESS OR IMPLIED, BY OPERATION OF LAW OR OTHERWISE, INCLUDING BUT NOT LIMITED TO ANY IMPLIED WARRANTY OF MERCHANTABILITY OR FITNESS FOR A PARTICULAR PURPOSE, ARE EXPRESSLY DISCLAIMED. (Some states do not allow limitations on how long an implied warranty lasts.)

THIS LIMITED WARRANTY CONSTITUTES THE SOLE REMEDY AVAILABLE WITH REGARD TO ANY DEFECTIVE PRODUCTS. KNAPE & VOGT SHALL NOT BE LIABLE FOR ANY INCIDENTAL, INDIRECT, CONSEQUENTIAL OR SPECIAL DAMAGES, INCLUDING WITHOUT LIMITATION, LOSS OF TIME, INCONVENIENCE, OR LOST REVENUES OR PROFITS. (Some states do not allow the exclusion or limitation of incidental or consequential damages.)

Copyright ©2018 Knappe & Vogt Manufacturing Company, all rights reserved.  
Standard KV Commercial Warranty

# Return Policy

## Return Policy for special order or nonstock items:

We're sorry, we cannot accept returns on nonstock products or special order products unless there is a Knap & Vogt error — which we will be happy to correct. To return product(s), please follow these procedures:

Please contact Knap & Vogt Customer Service at 1.800.253.1561. A Customer Service Representative will assist you with getting a Return Goods Authorization (RGA) number. The original P.O. is required to receive a RGA number. Please return product within 30 days of issuance of the RGA number.

## Restocking Fees:

- All resalable product returned in original resalable packaging will be assessed a 25% fee for restocking and handling.
- Minimum fee is \$25.
- All resalable products not returned in resalable original packaging will be assessed a 25% fee for repackaging in addition to the 25% restocking and handling fee.
- Above referenced fees will be waived on returns resulting from a Knap & Vogt error.

## Shipping:

You are responsible for all return shipping charges to return the product unless we made an error in shipping your order, i.e., the product we shipped is not the one you ordered, or is defective.

### In the US, please ship to: Knap & Vogt

Return Goods Department, 3800 Eastern Ave SE, Wyoming, MI 494509

### In Canada, please ship to:

Knap & Vogt/ Vanguard, Attn: Return Goods Department, 265 Export Blvd, Mississauga, ON L5S 1Y4

- Ensure the product(s) are properly packaged to prevent shipping damage.
- Include RGA number with return.
- Ensure all products returned match quantities and products listed on the assigned RGA.

## Credit:

- A credit memo will be issued upon inspection and approval of the returned product.
- Upon receipt and inspection Knap & Vogt will determine credit amount and notify you of any discrepancies.
- DO NOT make any financial adjustments to your account prior to Knap & Vogt issuing a credit memo for returned goods.
- Please allow a minimum of 14 days for us to receive and process your return.
- We will credit or refund the value of the product total and any taxes you were charged less applicable fees. (excluding delivery charges).
- Refunds will be given in the same form of payment. Adjustments to credit cards should appear within two billing cycles.

## Replacement Orders:

- Any replacement orders will be charged to your account.
- A credit memo will be issued for returned products that have been approved.

## RGA Status Information:

- Visit [www.customercareconnection.com](http://www.customercareconnection.com).
- Enter your account information.
- If you do not already have your account set up for this free service, please register at [www.customercareconnection.com](http://www.customercareconnection.com).
- Your satisfaction is our priority. We are happy to accept returns or exchanges for any resalable or defective products within 60 days of the shipping date.





**KNAPPE & VOGT®**

2700 Oak Industrial Dr. NE  
Grand Rapids, MI 49505-6026 USA  
Tel: 1.800.253.1561 | 616.459.3311  
Fax: 877.636.3290  
[www.kv.com](http://www.kv.com)

*This and other KV literature is available for download at [www.kv.com](http://www.kv.com) > Resource Library*

*Knappe & Vogt reserves the right to change product specifications at any time without notice and without incurring responsibility for existing units.*

©2018 Knappe & Vogt. KV and the KV logo are trademarks of Knappe & Vogt.

OL2041/0818