



AirBath Hydro-Massage Tubs ULI 795

Installation and Operating Instructions

Gelcoat & Solid Surface Bathware

Tools you might need for proper installation

- Galvanized nails or screws - for units with a tiling flange
- Four foot level
- Shims
- Caulking Gun
- Screw Gun
- Adhesive

Thank you for purchasing the Praxis AirBath Hydro-Massage tub. For best results, please read and follow all directions carefully.

PRE-INSTALLATION PLANNING

Instructions Pertaining to a Risk of Fire, Electrical Shock or Injury to Persons

Warning When using this unit, basic precautions should always be followed, including the following:

1. Read and follow all instructions.
2. Danger To reduce the risk of injury, do not permit children to use this unit unless they are closely supervised at all times.
3. Use this unit only for its intended use as described in this manual. Do not use attachments not recommended by manufacturer.
4. Never drop or insert any object into any opening.
5. The unit must be connected only to a supply circuit that is protected by a ground-fault circuit interrupter (GFCI). Such a GFCI should be provided by installer and should be tested on a routine basis. To test the GFCI, push the test button. The GFCI should interrupt power. Push the reset button. Power should be restored. If the GFCI fails to operate in this manner, the GFCI is defective. If the GFCI interrupts power to the bath without the test button being pushed a ground current is flowing, indicating the risk of electrical shock. Do not use this hydro-massage tub. Disconnect the hydro-massage tub and have the problem corrected by a qualified service representative before using.
6. A grounding lug is provided on the exterior of the

control panel to permit connection of a No. 8 solid copper bonding conductor between this unit and all other electrical equipment and exposed metal in the vicinity, as needed to comply with local requirements.

7. Save these instructions.

PRECAUTIONS

Inspection Upon receipt of the Praxis AirBath, inspect it thoroughly for damage or shortage. Verify that unit specifications are correct. If damage or shortage has occurred notify the distributor or freight carrier immediately.

Under no circumstances should a damaged or defective unit be installed without prior factory approval. Neither Praxis or the distributor will be responsible for removal or reinstallation costs should replacement of the unit be necessary.

Testing Follow all testing procedures. While each unit is factory water tested, the shipping process may result in damage to, or loosening of the pipe joints and connections.

1. Keep the black protective liner in the tub during and after installation to prevent damage to the surface of the bath.
2. Do not lift by the piping. Lift only by the bath's deck.
3. All plumbing and electrical connections should be made by licensed, qualified plumbers and electricians.
4. Be sure the installation follows all applicable local codes.
5. Service and repairs should be performed only by qualified service representatives.
6. Any questions regarding installation or operation of the



AirBath Hydro-Massage Tubs ULI 795 Installation and Operating Instructions

Gelcoat & Solid Surface Bathware

AirBath may be directed to the Praxis Customer Service Department: 800.443.7269

7. Save these instructions and all accompanying materials.

INSTALLATION INSTRUCTIONS

Read and follow all instructions carefully.

Warning

When using this unit, basic precautions should always be followed, including the following:

Danger Risk of Electric Shock Connect only to a circuit protected by a Ground Fault Circuit Interrupter (GFCI). This unit should be installed by a qualified service representative. See page 3 for important wiring instructions.

Install to Permit Access for Servicing A minimum access panel of 15" x 20" must be provided should the blower or other equipment need service at a later date. Inspect the unit carefully to insure there is no damage or defects present. Be sure the unit is correct size, color and has all features originally ordered.

Testing

Water test the unit prior to installation. Set it up where it can be drained after testing. Plug drain hole and fill to the overflow. Make sure all fittings, thru-walls and piping are water tight. If leaks are present, contact the distributor or the Praxis Customer Service Department. Do not install the bath.

Rough-In

Rough-in should be kept to a minimum until the unit is on the job site. Measurements may vary plus or minus .25" from original specifications.

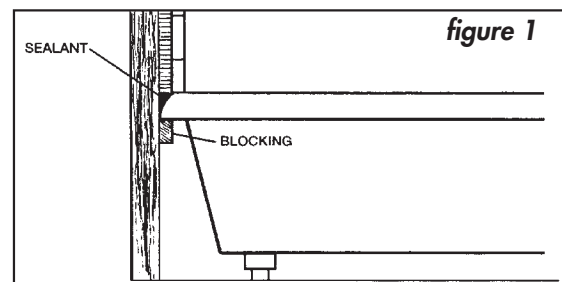
Checking Level

Place the unit in the location of installation. Check level (length and width). If necessary, place shims under support legs.

Wall Installation

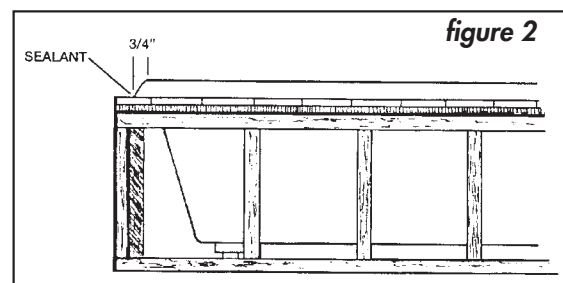
When the unit is to be placed against a wall, blocking should

be attached to the wall in such a way as to allow the tub lip to rest on the blocking. Do not allow tub lip to support any of the bath's weight. (See figure 1) If a screw flange is provided, see flange instructions (page 4).



Deck Installation

For deck mounted tubs, use the dimension of the unit and subtract 1.5" to reach your platform opening dimensions; ex: Tub dimensions are 72" x 36". Platform opening will be 70.5" x 34.5". (figure 2)



Faucets and Valves

Faucets and valves may be installed through the tub deck. Use a sharp hole saw, making sure the spout will clear the deck edge before drilling. A heat resistant material must be placed between the tub and soldering work to prevent damage to the tub.

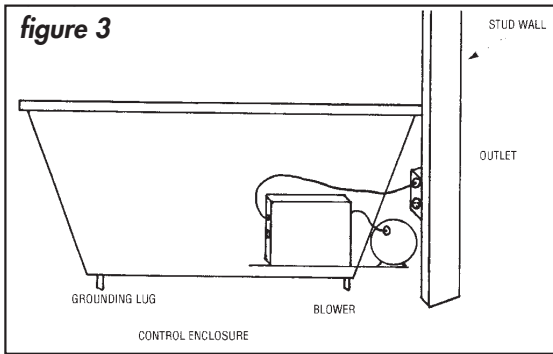
Cleaning System Plumbing

The Auto-Cleaning System inlet is located under the tub deck in the vicinity of the air blower. Apply Teflon tape to male threads on inlet and connect directly to hot water supply using .757" female thread connection. Be sure to follow all applicable local codes when connecting Auto-Cleaning system to water supply line. See back page 6 for Remote Cleaning System Installation Instructions.



AirBath Hydro-Massage Tubs ULI 795 Installation and Operating Instructions

Gelcoat & Solid Surface Bathware



Finishing

Before closing in the unit, fill the bath 2" above the highest air jet. Run the blower for 15 minutes, and check for leaks. Shut off the blower; let stand for 5 minutes and check again for leaks. When draining the bath, check tub's base for proper drainage.

Note

Clean dust and debris from around the blower before operating. The bath must be cleaned before operating the blower. After the unit has been tested, close in with the material of your choice. Seal around the tub lip and surrounding walls (where applicable) with water resistant sealer. Clean out the unit using a damp cloth and liquid detergent. Do not use solvents or abrasive cleaners. Fill tub and test operation.

ELECTRICAL CONNECTIONS

All wiring must be done by a qualified, licensed electrician.

AirBath Blower Specifications

1.3 HP, 120 VOLT, 7.0 AMP, 60 HZ, 120 VAC 15 AMP dedicated circuit with GFCI protection is required. The outlet must be installed on the stud wall a minimum of 6 inches above the floor and located near the access panel. (figure 3)

Note

Where applicable grounding lugs are provided on the exterior of the control box to permit connection of a No. 8 solid copper bonding conductor between this unit and all other electrical equipment and exposed metal in the vicinity, as needed to comply with local requirements.

INSTALLATION WITH MOLDED ACRYLIC OR SCREW ON TILE FLANGE

1. Drill through flange at the framing studs.
2. Screw flange to framing studs.
3. For units equipped with the acrylic flange, bring the sheathing to the top of flange and seal the joint. (figure 4)
4. For units equipped with the screw on tile flange, it is necessary to caulk between the flange and tub after attaching the flange to the framing. Allow the sealant to dry, then bring the sheathing over the flange. (figure 5)
5. Tile over sheathing and/or flange, sealing all joints between the tub and tile.

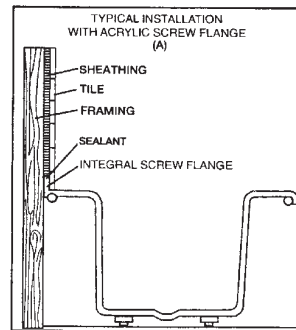


figure 4

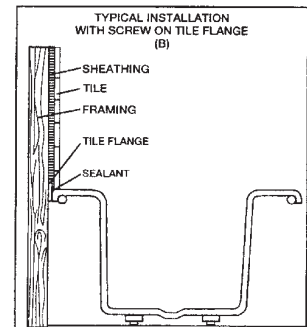


figure 5

INSTALLATION OF DECORATOR FRONT SKIRT

1. Insert horizontal edge of skirt into top brackets. Once skirt is plumb, scribe a line on the floor parallel to bottom of skirt.
2. Mount (3) lower braces to floor approximately .25" behind line (1 center of skirt - 1 on each end of toe kick).
3. Lift skirt until seam between tub and skirt is minimal, screw (5) into place. (figure 6)
4. Place decorative caps over screw heads. (figure 7)



AirBath Hydro-Massage Tubs ULI 795

Installation and Operating Instructions

Gelcoat & Solid Surface Bathware

Note Caulking may be used to completely conceal seam between tub and skirt. In some cases it may be necessary to widen the recess in the top brackets, if so, use a hand saw and cut in 0.125" increments. DO NOT deepen recess.

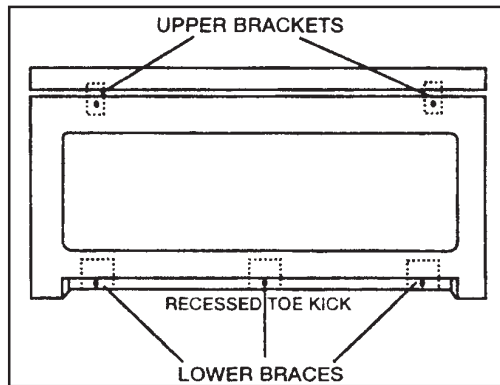


figure 6

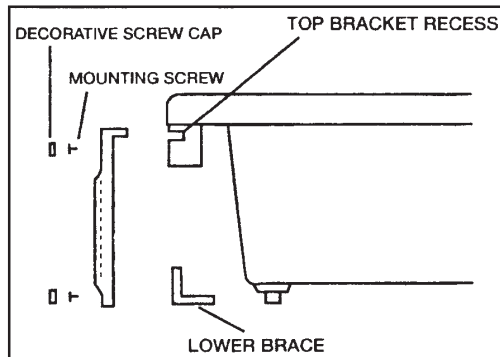


figure 7

AIRBATH OPERATING INSTRUCTIONS

Important Safety Instructions Please refer to important safety instructions included on the cover of this manual before operating or using the air bath.

1. Maximum soaking temperature should not exceed 104 degrees (F), 40 degrees (C). Consult a physician for specific temperature and length of use specifications, depending on health considerations.

2. Children, elderly or infirm bathers must remain under close supervision.

3. Keep hair away from suction fitting to prevent entrapment.

4. Do not use while under the influence of alcohol or drugs.

5. Use precaution while entering or exiting the bath to prevent accidental slips or falls.

6. Periodically check Ground Fault Circuit Interrupter to insure it is operating correctly.

7. Keep electrical appliances at least (5) feet away from bath while bathing.

8. Do not use oil based additives in the AirBath.

9. Each American Whirlpool AirBath is equipped with:

- 1 HP blower that heats the air before injecting it into the tub
- 20 to 24 recessed air jets with ball check valve
- An automatic cleaning system that cleans the AirBath's tubing and air jets
- An automatic blow-dry system for air piping, jets and jet recesses
- Two air switch controls for easy and safe operation

Air Therapy

To activate your Praxis AirBath, depress the air switch button located on the bath. The air blower will activate and run for 30 minutes. The blower will turn off automatically at the end of the 20 minute cycle. You may push the air switch at any time during the 20 minute cycle to turn the blower off. You may push the air switch after the 20 minute timer has timed out to reactivate the blower.

Note

The air therapy air switch will not turn the blower on while the auto cleaning cycle is operating or during the blow-dry cycle.



AirBath Hydro-Massage Tubs ULI 795 Installation and Operating Instructions

Gelcoat & Solid Surface Bathware

Automatic Blow Dry System

Upon shutting off the blower the automatic blow dry system is activated. This system allows 14 minutes for the bath to drain. At the end of the 14 minute idle period the blower will come back on automatically for two minutes blowing the air piping and jets dry with hot air. This blow cycle will start with 10 quick on and off pulses from the blower.

If the bath is also used as a shower or the bath was filled but the air blower was not activated, the user must activate the automatic blow dry system. Simply actuate the air therapy system and then push the air switch a second time two seconds later to turn the air off. Fourteen minutes later the blow dry cycle will engage.

Cleaning

To operate the cleaning cycle:

1. When the tub is empty, the drain open, and the air therapy blow dry cycle is complete, use Whirl-Kleen one-step cleaner, sanitizer, or disinfectant in the cleaning solution canister. Follow the printed instructions on the container.
2. Close the canister snugly and push the cleaning air switch (located next to the detergent canister). Hot water will enter, taking the cleaning solution into the air piping and through the air jets. The hot water will continue to flow for two minutes rinsing the cleaning solution out of the system.
3. Next, the blow dry cycle will come on automatically after about one minute and blow dry the air pipe and air jets.
4. The air therapy system cannot be actuated during the air therapy cycle. This includes the 14 minute idle period between turning the blower off and the beginning of the blow-dry cycle. At the end of the blow-dry cycle and any time thereafter, up until the air therapy air switch is actuated again, the cleaning cycle can be operated.

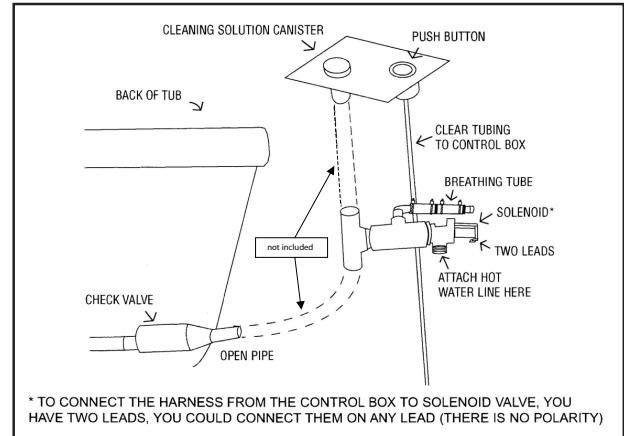


figure 8

REMOTE INSTALLATION OF AIRBATH CLEANING SYSTEM

figure 8

Select models require remote installation (not mounted on tub deck) of the cleaning system.

1. Locate the cleaning solution canister toward the back rest of the tub, within 12 inches of the tub deck.
2. Drill or cut a 1.75" hole for the canister into the deck. Deck thickness not to exceed 1.375".
3. Place gasket (3) onto cleaning canister and push to top of canister lip.
4. Insert cleaning canister into deck, screw nut (4) onto bottom of cleaning canister and tighten.
5. Drill a 1.375" hole placed appropriately near the cleaning canister for the easy install air switch.
6. Place gasket onto air switch and push up to lip.
7. Insert air switch into deck, screw nut onto bottom of air switch and tighten.
8. Connect air tubing coiled on control box to bottom of air switch.
9. Glue valve assembly (5) to bottom of cleaning canister using the 6 inch long one inch schedule 40 PVC pipe



AirBath Hydro-Massage Tubs ULI 795 Installation and Operating Instructions

Gelcoat & Solid Surface Bathware

supplied (6). You may trim PVC pipe to desired length.

10. Connect valve assembly to hot water supply.

11. Connect cleaning system assembly to cleaning access line, a 1 inch PVC line stubbed from a one inch check valve.

12. Now connect the wire harness coiled from the control box to the solenoid valve of the cleaning assembly.

13. Screw the cap (1) onto the cleaning canister and test the system according to the supplied instructions.

SELF-CLEANING INSTRUCTIONS

1. After shutting off your AeroBath or AeroWhirl system, a 14 minute timer will then turn on; this time will allow for your unit to be drained. Once drained, it will run through a short "purge" cycle.

2. Once the "purge" cycle has completed, pour approximately 1 - 1.5 cups of cleaning solution into the canister provided for the Self-Cleaning System.

3. Once the "cap" has been securely tightened, press the air button and hold for 3 seconds. This will then allow for the cleaning solution and the hot water to mix and properly run-cycle through the system.

4. Once the cleaning solution and the hot water mix have finished their cycle, the unit will then blow air through the air jets, 10 pulses to clear the jets of any water.

5. After the 10 pulses occur, the unit then continuously push air for approximately 2-3 minutes, then shut off.



AirBath Hydro-Massage Tubs ULI 795

Installation and Operating Instructions

Gelcoat & Solid Surface Bathware



AirBath Hydro-Massage Tubs ULI 795

Installation and Operating Instructions

Gelcoat & Solid Surface Bathware