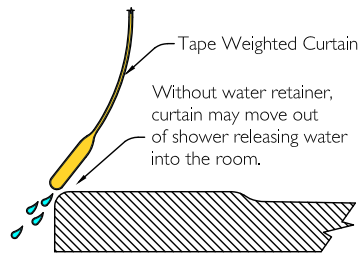




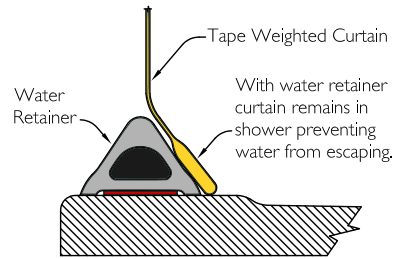
# Collapsible Dam Installation Instructions

Tools you might need for proper installation

- Utility knife
- Tape measure
- Straight edge
- Clear or white silicone adhesive caulk
- Masking tape
- Rubbing alcohol
- Bucket of water
- Clean rags



Without Collapsible Water Retainer



With Collapsible Water Retainer

Thank you for purchasing Praxis Bathware. For best results, please read and follow all directions carefully.

## FOR MODULAR SHOWERS WITH RADIUS CORNERS

Fits all fiberglass reinforced models including: Acrylic, Gelcoat, Vikrel, Solid Surface, Composite, Cultured Marble

Important considerations before you begin:  
 Most manufactured units are designed with a radius where the floor transitions or meets the wall. This is to ensure proper structural strength where the wall meets the floor. The installation of end caps is highly recommended on radius models for proper fit and finish. The caps will also help to keep your curtain inside the water barrier.  
 A properly sized curtain with heavy tape weights combined with a water retainer is the most complete and effective system available today.

**CAUTION** Certain types of wheel chairs are not to be used with this product. Wheel chairs with plastic wheels may cut or damage the rubber membrane.

## ORDER THE CORRECT LENGTH

Make sure you have ordered the correct length. See chart below. The water retainer strip is designed to travel along the floor to the wall radius until vertical, then capped.

## SIZE VERIFICATION CHART FOR ALL FACTORY MANUFACTURED SHOWER UNITS

SIZE MODEL	PART NUMBER
36" ADA barrier free (36" I.D. opening)	42CWR-White
48" barrier free (45-46" I.D. opening)	54CWR-White
60" ADA barrier free shower (60" I.D. opening)	66CWR-White
Finished Radius End Caps (pair required)	EX1613-White

*Note: 1 1/2" wide flat mounting surface required.*

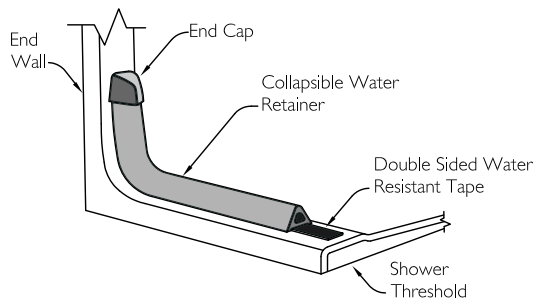
Identifying proper mounting location: It will be helpful to determine whether your fiberglass reinforced shower unit has a small molded ridge or "water runoff assist" design on your unit. You will find this feature on the floor of approximately 1-3 inches from the front entry edge of your shower unit. The inside edge of the water retainer should rest on the crown of the ridge allowing the water to run off properly. Use this ridge as your guide to mounting the retainer parallel with the water run-off ridge.

Models less the water run-off design ridge: All name brand barrier free showers that may not have water run-off a ridge and applications such as tile, marble or cement floor surfaces, purchaser must determine the proper mounting location and length.

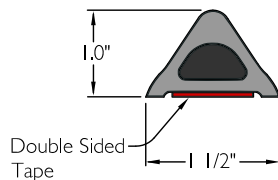


# Collapsible Dam Installation Instructions

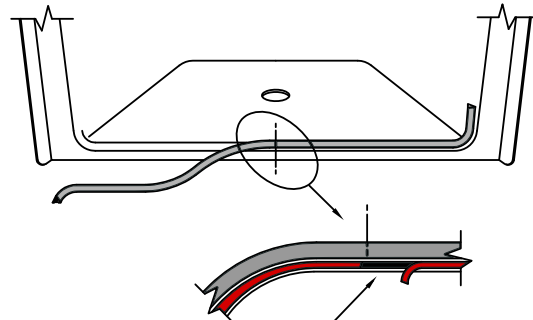
## INSTALLATION INSTRUCTIONS WITH FINISHED RADIUS END CAPS



Showers With Large Corner Radius



Cross Section



Cut Orange Cover On Tape At Center And Peel Away About 4 Inches To One Side

Align Centerline Of Water Retainer With Shower Centerline. Press And Adhere

Peel, stretch, and align to corner. Repeat on the other side, peel, stretch, align, and press to adhere. Apply end caps.

Caulk as required along edges of end caps to secure and seal.

1. Thoroughly clean threshold surface of all soap scum and debris using standard bath cleanser. Chemically clean surface with rubbing alcohol.

2. Verify the required length anticipating the vertical rise, making certain there is enough retainer strip to make a vertical rise on the end walls.

3. Determine and mark center point of shower.

4. Determine and mark center point of water retainer strip.

5. Turn over water retainer strip and make cut on orange peel off strip at half way mark. Peel off a portion (approx. 4") of the orange peel off strip in one direction exposing the adhesive.

6. Align strip with pre-determined pencil mark or molded ridge crown of shower unit starting at the half way mark. Press on and adhere approximately 4" of strip. Pull and stretch to wall and align before removing remainder of orange peel off strip. Press into place.

7. Peel, stretch, align and pull remaining half to wall. Press into place.

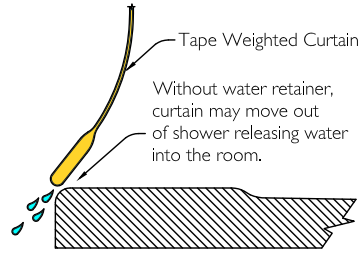
8. Push in the male end of your end cap into the water retainer. Adhere end cap to unit with adhesive caulk and wipe clean. White or clear adhesive type caulk is recommended.

9. Use masking tape to temporarily hold cap in place until adhesive cures.

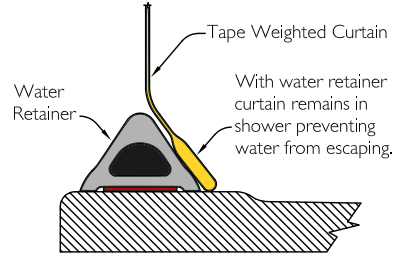
10. Optional: The outer edges beneath the retainer may be caulked if desired to prevent soap and shower debris from lodging beneath the retainer. The adhesive tape does not extend to the edge (by design) to allow the retainer to absorb the impact energy of a rolling shower chair in high use applications. Wipe off excess caulk and let cure (according to caulk specifications) prior to shower use.



# Collapsible Dam Installation Instructions



Without Collapsible Water Retainer



With Collapsible Water Retainer

## FOR TILE SHOWERS OR MANUFACTURED SHOWER PANS WITH SQUARE CORNERS

Fits all TILE SHOWERS and manufactured SHOWER PANS: Acrylic, Gelcoat, Vikrel, Solid Surface, Cultured Marble

Important considerations before you begin:  
The installation of horizontal end caps is highly recommended for proper fit and finish at corners. The caps will provide proper fit and finish to the where the dam meets the side walls. Finished caps also prevent water from being trapped in the dam itself or exiting the shower area insuring a lasting easy to maintain water seal. A properly sized curtain with heavy tape weights combined with a water retainer is the most complete and effective system available today.

**CAUTION** Certain types of wheel chairs are not to be used with this product. Wheel chairs with plastic wheels may cut or damage the rubber membrane.

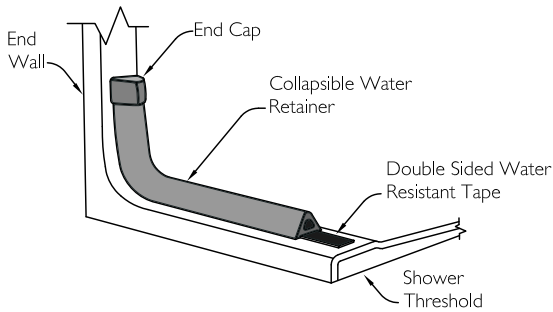
### ORDER THE CORRECT LENGTH

Make sure you have ordered the correct length. See chart below. The water retainer strip is designed to travel along the floor to the wall radius until vertical, then capped.

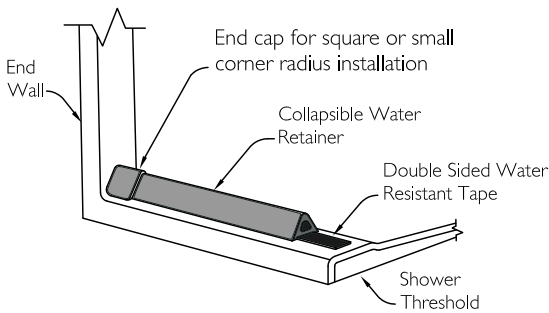
### SIZE VERIFICATION CHART FOR ALL FACTORY MANUFACTURED SHOWER UNITS

SIZE SHOWER	PART NUMBER
36" ADA barrier free (36" I.D. opening)	42CWR-White
48" barrier free (45-46" I.D. opening)	54CWR-White
60" ADA barrier free shower (60" I.D. opening)	66CWR-White
Finished Square End Cap (pair required)	EX1614-White

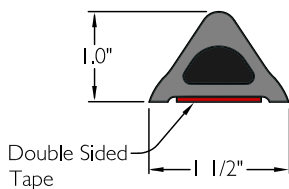
Note: 1 1/2" wide flat mounting surface required.



Showers With Large Corner Radius



Showers With Square Or Small Corner Radius



Cross Section

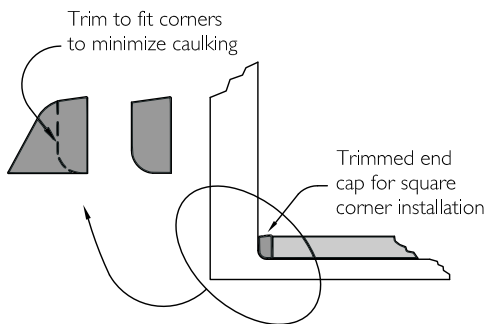


# Collapsible Dam Installation Instructions

## INSTALLATION STEPS WITH SQUARE END CAPS

1. Thoroughly clean threshold surface of all soap scum and debris using standard bath cleanser. Chemically clean surface with rubbing alcohol.

2. Dry Fit: measure the required length. Be sure to include inserted end caps in overall measurement.



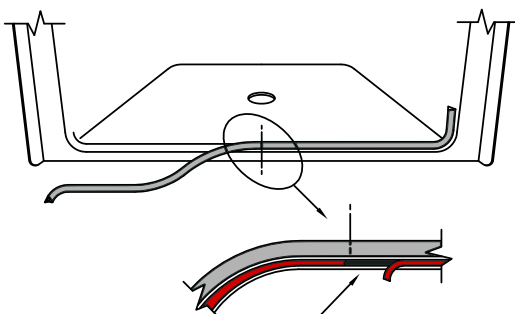
Showers With Square Or Small Corner Radius

3. Trim Caps on backside wall & floor mating surfaces if necessary to the contour of the corner for tight fit and finish to minimize caulking.

4. Determine and mark center point of shower.

5. Determine and mark center point of water retainer strip.

6. Turn over water retainer strip and make cut on orange peel off strip at half way mark. Peel off a portion (approx. 4") of the orange peel off strip in one direction exposing the adhesive.



Cut Orange Cover On Tape At Center And Peel Away About 4 Inches To One Side

Align Centerline Of Water Retainer With Shower Centerline. Press And Adhere

Peel, stretch, and align to corner. Repeat on the other side, peel, stretch, align, and press to adhere. Apply end caps.

Caulk as required along edges of end caps to secure and seal.

7. Align strip with pre-determined half way mark.

8. Press on and adhere approximately 4" of strip.

9. Pull and stretch to wall and align before removing remainder of orange peel off strip.

10. Press into place.

11. Peel, stretch, align and pull remaining half to wall. Press into place.

12. Dry fit end caps to insure proper fit. (Trim length if required after stretching & adhering dam)

13. Once proper fit is verified, prepare to apply silicone adhesive caulking.

14. Apply quality silicone adhesive caulking to floor, side wall and male insert end of cap. Push in the male end of your end cap into the water retainer.

15. Wipe clean with rubbing alcohol.

16. Allow 12 hours until adhesive cures before use.

17. Tile Application Grout Line joints: The grout joints or entire outer edge beneath the retainer must be caulked to prevent soap and shower debris from lodging beneath the retainer. The adhesive tape does not extend to the edge (by design) to allow the retainer to absorb the impact energy of a rolling shower chair in high use applications. Wipe off excess caulk and let cure (according to caulk specifications) prior to shower use.

© 2015, The Praxis Companies, LLC  
435 Industrial Rd., Savannah, TN 38372  
Customer Service: 800.443.7269  
www.praxiscompanies.com