



PRAXIS

# [contractor advantage]

premium thermal cast acrylic bathtubs



soaker tubs | whirlpools | airtubs 

## CONTRACTOR ADVANTAGE

soaker tubs | whirlpools | air tubs

RN 6032	60" x 32" x 20"
RN 6036	60" x 36" x 20"
RN TAHI 5	60" x 42" x 18.25"
RN 6040	58.75" x 39" x 21"
RN ORLN 5	60" x 42" x 19.25"
RN RIO 6042	60" x 42" x 21"
RN 6060	59.75" x 59.75" x 20.75"
RN IBIZA	60" x 60" x 21.5"
RN 6636	66" x 36" x 20"
RN 7040	71.5" x 40.5" x 20.5"
RN 7236	72" x 36" x 20.5"
RN TAHI 6	72" x 42" x 20.5"
RN ORLN 6	72" x 42" x 20.75"
RN RIO 7242	72" x 42" x 21.5"

*Note: Airbath option will add 1" to height of units.*



The option to choose without compromise -  
**The Contractor Advantage Series**



DURABILITY



EASY  
INSTALLATION



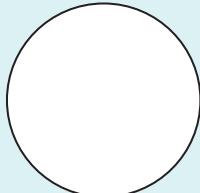
SAFETY



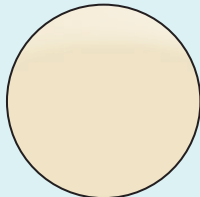
HIGH  
PERFORMANCE  
FEATURES



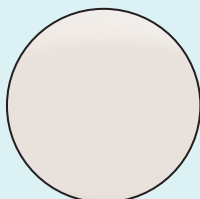
DURABILITY



white



bone



biscuit

## PREMIUM THERMAL CAST ACRYLIC

Contractor Advantage bathtubs are constructed of premium thermal cast acrylic that is long lasting, durable, non-porous and easy to clean.

## CONTRACTOR ADVANTAGE STANDARD FEATURES

S

### SOAKING TUB

- Durable, easy to clean thermal cast acrylic
- Tub bottoms are reinforced for no-flex strength
- Mounted on pre-leveled feet for easy no mud set installation
- Grip Sure™ textured bottom

W

### WHIRLPOOL TUB

- Durable, easy to clean thermal cast acrylic
- Tub bottoms are reinforced for no-flex strength
- Mounted on pre-leveled feet for easy no mud set installation
- Grip Sure™ textured bottom
- Exclusive safety suction return fitting
- High performance / high output 1.25 HP pump with run dry feature requires a 120V, 15amp GFCI protected dedicated circuit
- Premium Power-Flow Adjustable Jets - Adjustable flow rate and directional jets
- Ease-Flow Adjustable Jets - Feature a reduced flow rate that delivers pinpoint directional flow to lumbar and lower extremity zones

A

### AIR TUB

- Durable, easy to clean thermal cast acrylic
- Tub bottoms are reinforced for no-flex strength
- Mounted on pre-leveled feet for easy no mud set installation
- Grip Sure™ textured bottom
- Quiet-Flo blower - Compact and powerful 1HP output Quiet-Flo blower; requires a 115V, 6.3amp circuit
- Recessed air jets with check valves



HIGH  
PERFORMANCE  
FEATURES

## OPTIONAL FEATURES



**EASY INSTALLATION** *Drop-in bathtubs with optional factory or field installed skirts and nailing flange.*

MODEL NUMBER	AVENTURA SKIRT <i>factory installed</i>	DECO SKIRT <i>field or factory installed</i>	NAILING FLANGE
RN TAHI 5	•	•	•
RN 6040			
RN ORLN 5			
RN RIO 6042	•	•	
RN 6032	•	•	•
RN 6036	•	•	•
RN 7236	•	•	•
RN TAHI 6	•	•	•
RN ORLN 6			
RN RIO 7242	•	•	•
RN 6060	•	•	•
RN IBIZA	•	•	•
RN 6636	•	•	•
RN 7040			

## 1 SKIRTS

The factory installed Aventura skirt provides immediate access to pump with an easy to open access panel. The access panel is held from the back with springs - for a clean, modern look.

The field or factory installed Deco skirt is a stylish option for the modern bathroom. This skirt is recommended for soaker tubs.

Skirts are only available on the following Contractor Advantage units: RN 6032, RN 6036, RN 6636, RN RIO 6042, RN 6060, RN TAHI 5, RN TAHI 6, RN 7236, RN RIO 7242, RN IBIZA



## 2 CAST ACRYLIC NAILING FLANGE

Helpful with the installation and finishing of alcove installations. Available on most skirted Contractor Advantage units.

## 3 IN-LINE HEATER

Constantly maintains the warm temperature of the bath. Available only with Whirlpool Tubs.



## HIGH PERFORMANCE FEATURES

### JETS

- Premium Power-Flow & Ease-Flow adjustable jets: a mix of 4-6 large jets, 1-3 small jets flow and directionally adjustable jets for maximum relaxation
- Cleanest jet system on the market
  - 1) V-pattern intake and outtake jets- all plumbing pipes drain completely leaving no standing water
  - 2) Jet body of large jet is removable for ease of cleaning

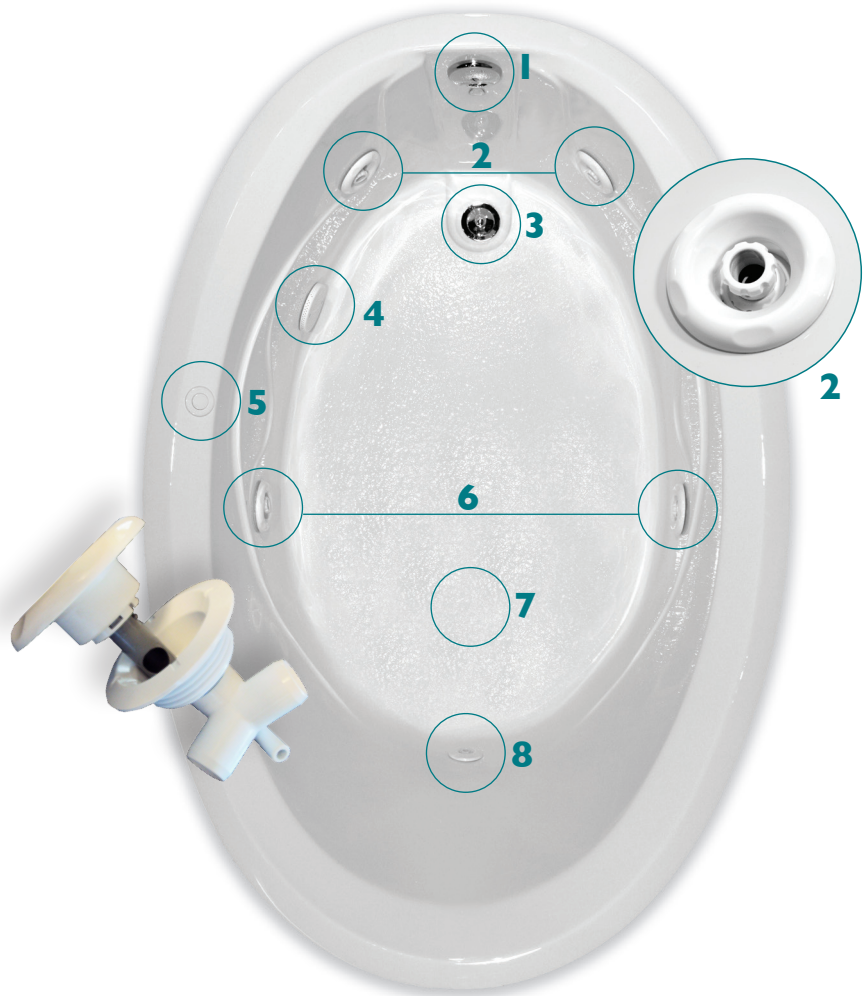
### PUMP & MOTOR

- 1.25 HP high performance pump
- Pump is energy efficient, anti-corrosive, self-draining, and double insulated for quiet operation
- Run-Dry feature of pump prevents damage from insufficient water level
- Three standard pump locations
  - #1 - "B" location: Pump is directly opposite of drain (installer can have pump on right or left side)
  - #2, #3 - R or L locations: Drain is on R or L and pump is opposite drain toward front



### SAFETY

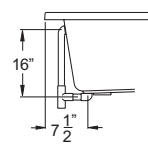
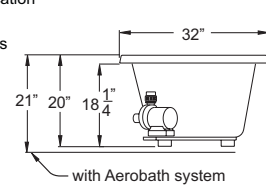
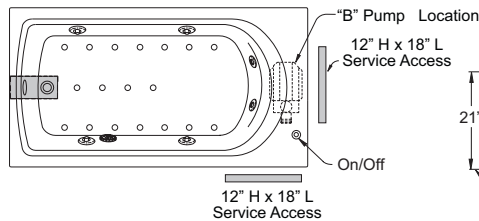
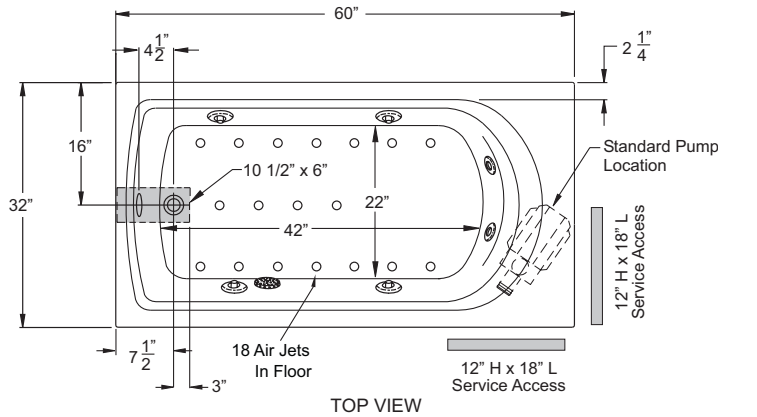
All CA units feature Grip Sure™ textured bottoms. Whirlpool models feature our exclusive safety suction return fitting. Each unit is factory tested and certified.



- 1 OVERFLOW
- 2 PREMIUM POWER-FLOW ADJUSTABLE JETS
- 3 DRAIN
- 4 SAFETY SUCTION
- 5 PNEUMATIC ON/OFF SWITCH
- 6 PREMIUM POWER-FLOW ADJUSTABLE JETS
- 7 GRIPSURE™ TEXTURED BOTTOM
- 8 EASE-FLOW ADJUSTABLE LUMBAR JET
- 9 OPTIONAL AVENTURA SKIRT WITH ACCESS PANEL
- 10 OPTIONAL NAILING FLANGE



[contractor advantage]



ALTERNATE PUMP LOCATION

END VIEW

DRAIN / OVERFLOW

RN 6032 60" x 32" x 20"

Cut-Out: 58" x 30"

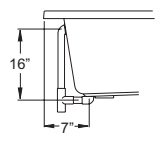
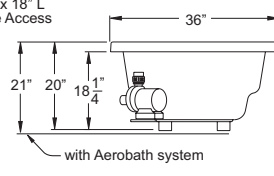
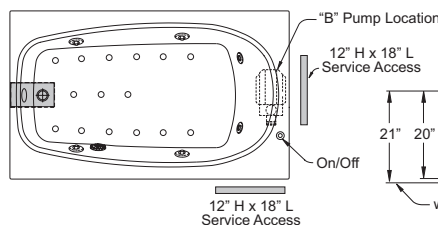
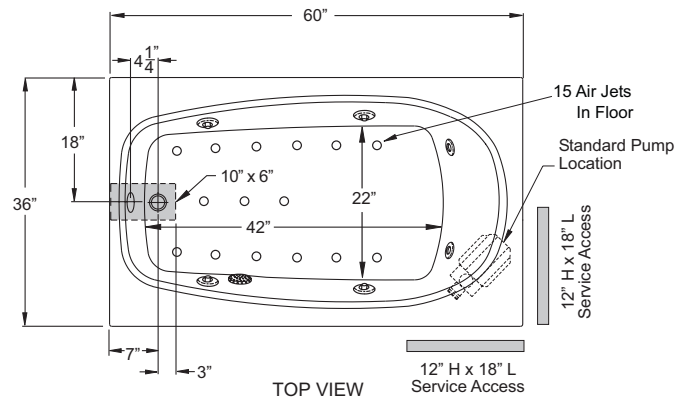
Shipping Weight: Soaker - 153 lbs Whirlpool - 183 lbs

Hydro-Massage System: 4 Premium Power-Flow Adjustable Jets, 2 Lumbar Ease-Flow Adjustable Jets

*AirBath option will add 1" to height of unit*

Operating Capacity: 39 Gallons

Optional Skirt: Yes



ALTERNATE PUMP LOCATION

END VIEW

DRAIN / OVERFLOW

RN 6036 60" x 36" x 20"

Cut-Out: 58" x 34"

Shipping Weight: Soaker - 158 lbs Whirlpool - 188 lbs

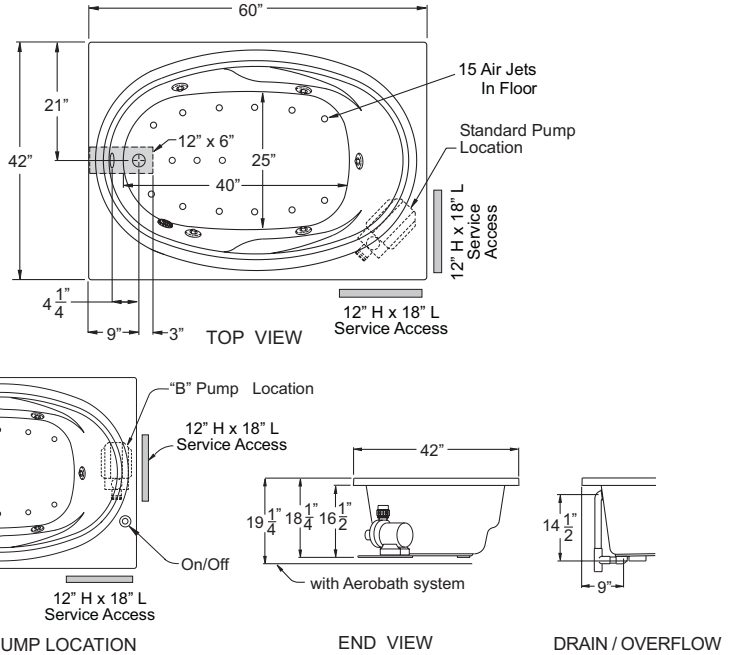
Hydro-Massage System: 4 Premium Power-Flow Adjustable Jets, 2 Lumbar Ease-Flow Adjustable Jets

*AirBath option will add 1" to height of unit*

Operating Capacity: 40 Gallons

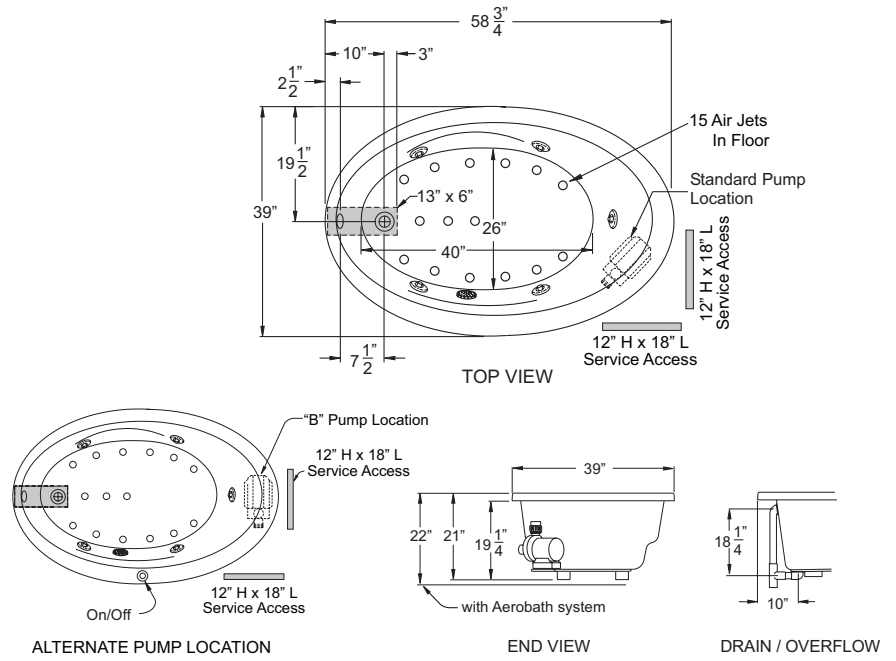
Optional Skirt: Yes

[contractor advantage]



**RN TAHI 5** 60" x 42" x 18.25"  
 Cut-Out: 58" x 40"  
 Shipping Weight: Soaker - 164 lbs Whirlpool - 194 lbs  
 Hydro-Massage System: 4 Premium Power-Flow Adjustable Jets, 1 Lumbar Ease-Flow Adjustable Jet

*AirBath option will add 1" to height of unit*  
 Operating Capacity: 49 Gallons  
 Optional Skirt: Yes

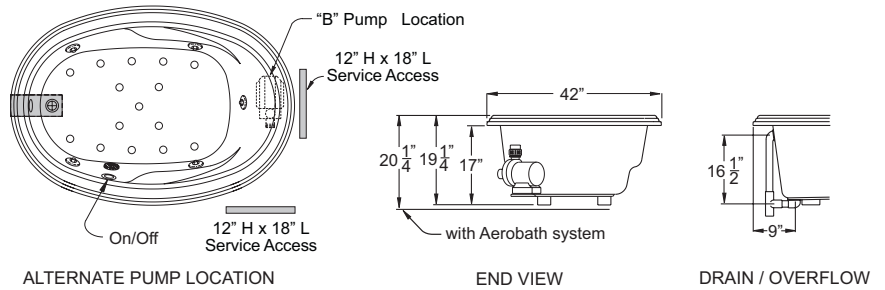
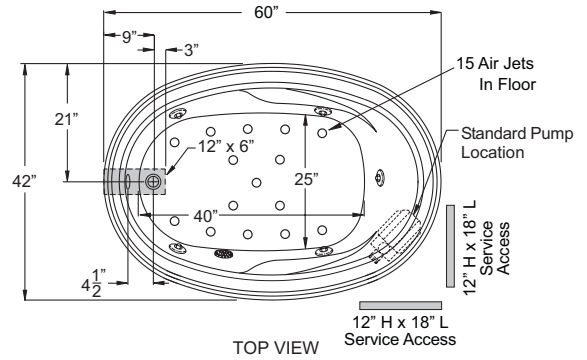


**RN 6040** 58.75" x 39" x 21"  
 Cut-Out: 1" to inside dimension around the rim  
 Shipping Weight: Soaker - 164 lbs Whirlpool - 194 lbs  
 Hydro-Massage System: 4 Premium Power-Flow Adjustable Jets, 1 Lumbar Ease-Flow Adjustable Jet

*AirBath option will add 1" to height of unit*  
 Operating Capacity: 39 Gallons  
 Optional Skirt: Not Available



[contractor advantage]



RN ORLN 5 60" x 42" x 19.25"

Cut-Out: 1" to inside dimension around the rim

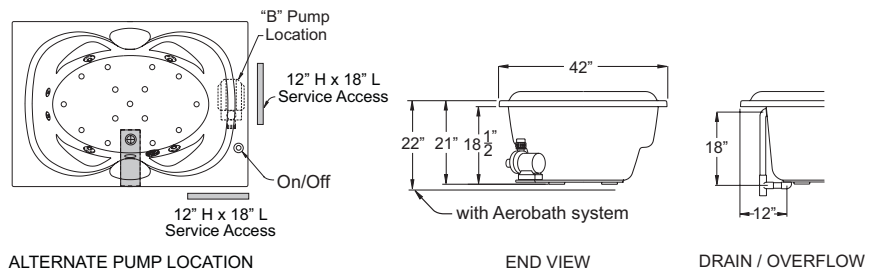
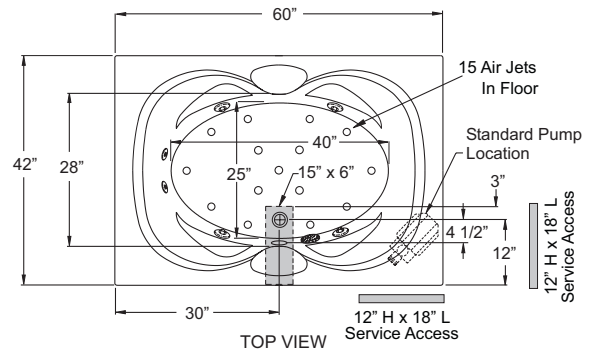
Shipping Weight: Soaker - 152 lbs Whirlpool - 182 lbs

Hydro-Massage System: 4 Premium Power-Flow Adjustable Jets, 1 Lumbar Ease-Flow Adjustable Jet

*AirBath option will add 1" to height of unit*

Operating Capacity: 49 Gallons

Optional Skirt: Not Available



RN RIO 6042 60" x 42" x 21"

Cut-Out: 58" x 40"

Shipping Weight: Soaker - 164 lbs Whirlpool - 194 lbs

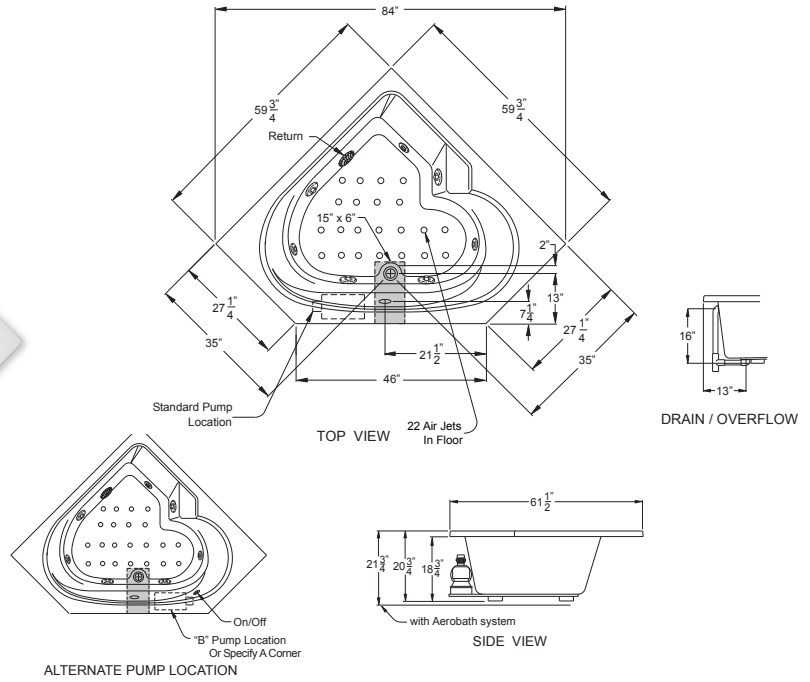
Hydro-Massage System: 4 Premium Power-Flow Adjustable Jets, 2 Lumbar Ease-Flow Adjustable Jets

*AirBath option will add 1" to height of unit*

Operating Capacity: 59 Gallons

Optional Skirt: Yes

[contractor advantage]



RN 6060 59.75" x 59.75" x 20.75"

Cut-Out: 1" to inside dimension around the rim

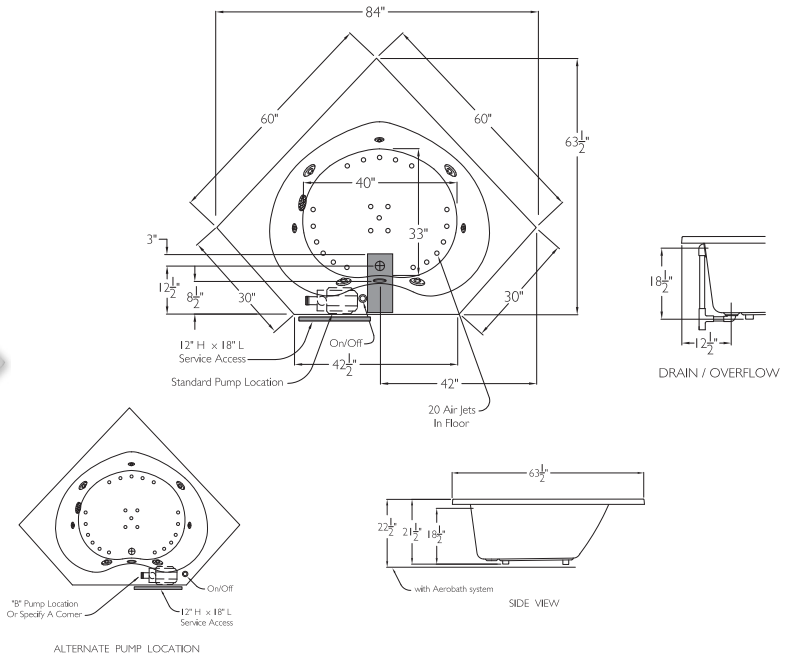
Shipping Weight: Soaker - 180 lbs Whirlpool - 210 lbs

Hydro-Massage System: 4 Premium Power-Flow Adjustable Jets, 3 Lumbar Ease-Flow Adjustable Jets,  
1 Foot Ease-Flow Adjustable Jet

*AirBath option will add 1" to height of unit*

Operating Capacity: 71 Gallons

Optional Skirt: Yes



RN IBIZA 60" x 60" x 21.5"

Cut-Out: 1" to inside dimension around the rim

Shipping Weight: Soaker - 182 lbs Whirlpool - 212 lbs

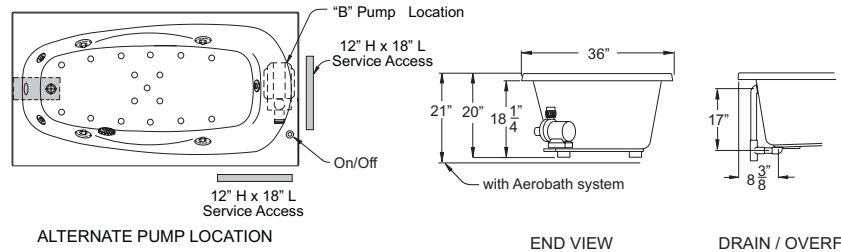
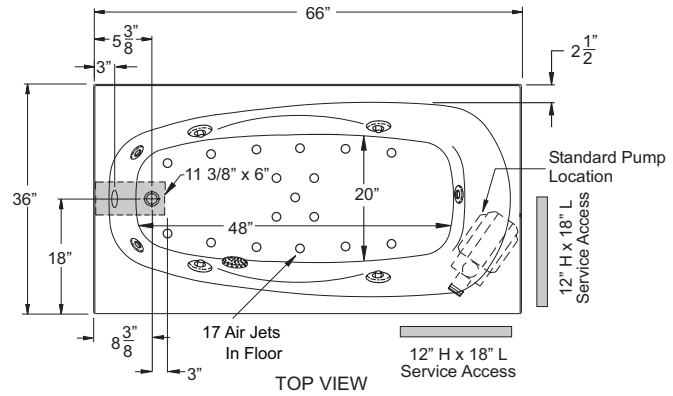
Hydro-Massage System: 4 Premium Power-Flow Adjustable Jets, 3 Lumbar Ease-Flow Adjustable Jets

*AirBath option will add 1" to height of unit*

Operating Capacity: 71 Gallons

Optional Skirt: Yes

[contractor advantage]



RN 6636 66" x 36" x 20"

Cut-Out: 64" x 34"

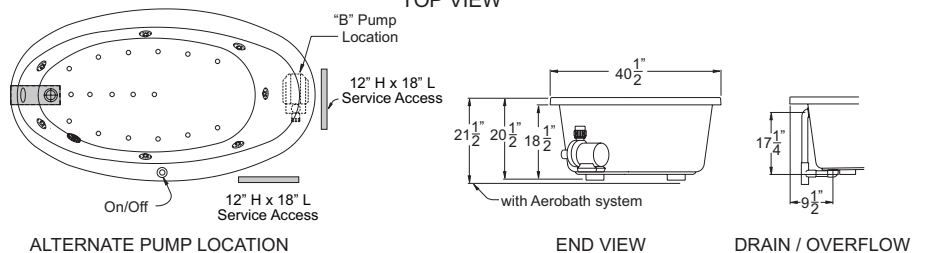
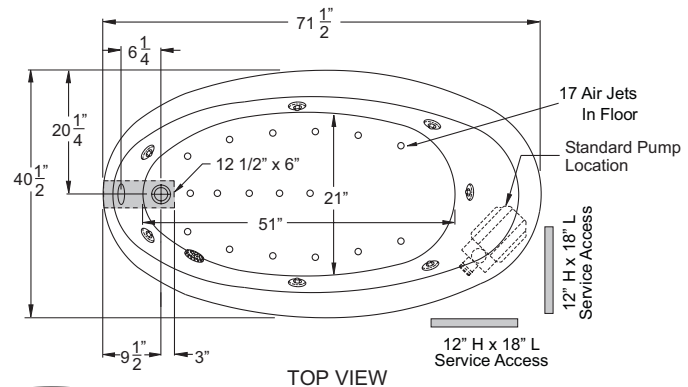
Shipping Weight: Soaker - 166 lbs Whirlpool - 196 lbs

Hydro-Massage System: 4 Premium Power-Flow Adjustable Jets, 1 Lumbar Ease-Flow Adjustable Jet, 2 Foot Ease-Flow Adjustable Jets

*AirBath option will add 1" to height of unit*

Operating Capacity: 38 Gallons

Optional Skirt: Yes



RN 7040 71.5" x 40.5" x 20.5"

Cut-Out: 1" to inside dimension around the rim

Shipping Weight: Soaker - 129 lbs Whirlpool - 159 lbs

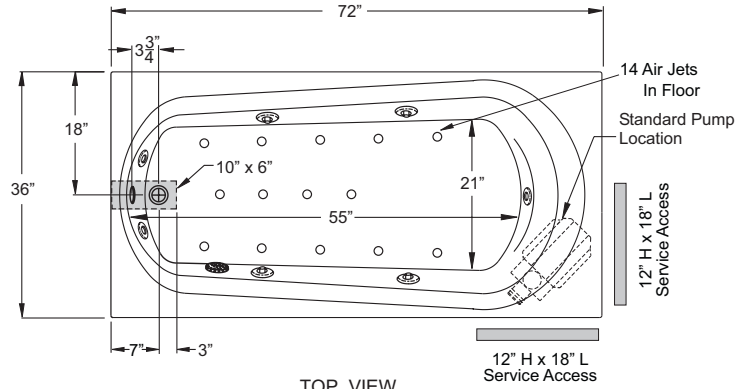
Hydro-Massage System: 4 Premium Power-Flow Adjustable Jets, 1 Lumbar Ease-Flow Adjustable Jet, 2 Foot Ease-Flow Adjustable Jets

*AirBath option will add 1" to height of unit*

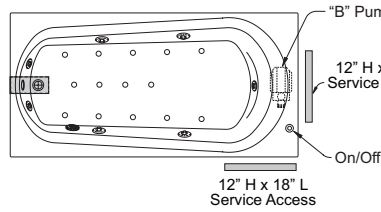
Operating Capacity: 69 Gallons

Optional Skirt: Not Available

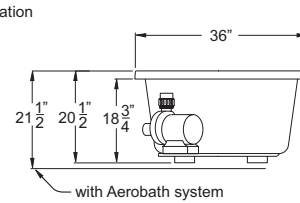
[contractor advantage]



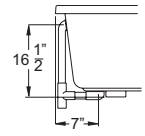
TOP VIEW



ALTERNATE PUMP LOCATION



END VIEW



DRAIN / OVERFLOW

RN 7236 72" x 36" x 20.5"

Cut-Out: 70" x 34"

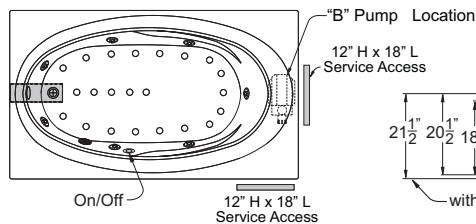
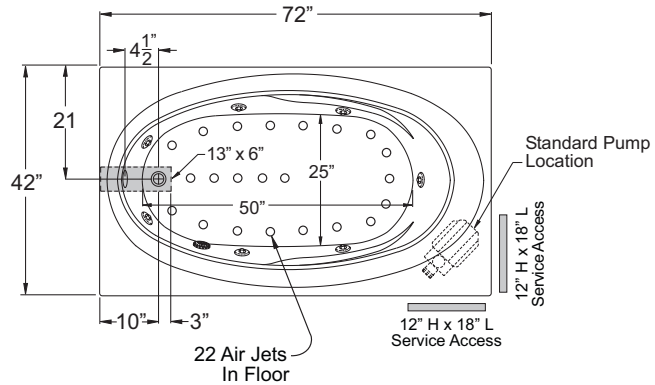
Shipping Weight: Soaker - 169 lbs Whirlpool - 199 lbs

Hydro-Massage System: 4 Premium Power-Flow Adjustable Jets, 1 Lumbar Ease-Flow Adjustable Jet  
2 Foot Ease-Flow Adjustable Jets

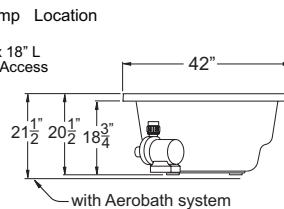
*AirBath option will add 1" to height of unit*

Operating Capacity: 57 Gallons

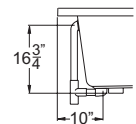
Optional Skirt: Yes



ALTERNATE PUMP LOCATION



END VIEW



DRAIN / OVERFLOW

RN TAHI 6 72" x 42" x 20.5"

Cut-Out: 70.5" x 40.5"

Shipping Weight: Soaker - 180 lbs Whirlpool - 210 lbs

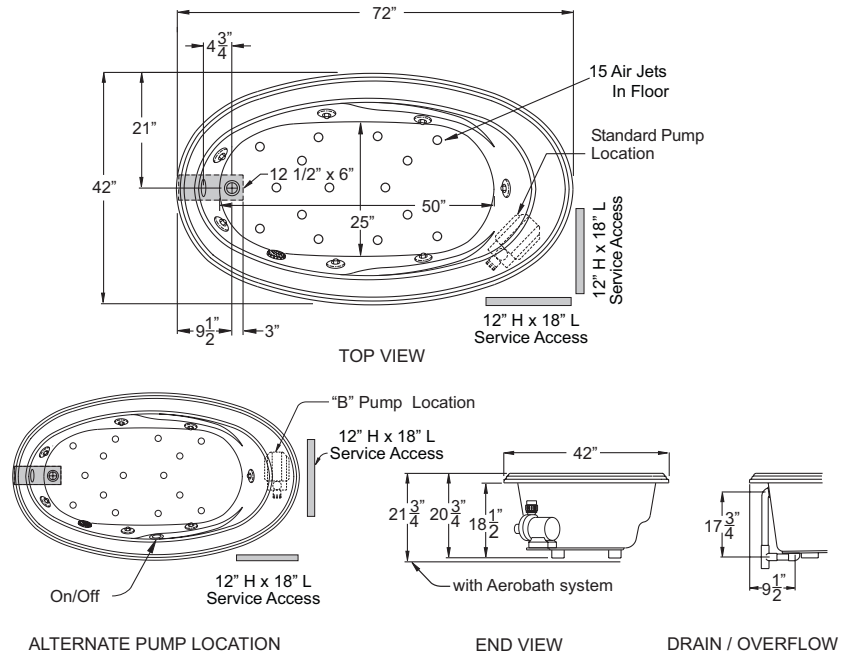
Hydro-Massage System: 4 Premium Power-Flow Adjustable Jets, 1 Lumbar Ease-Flow Adjustable Jet  
2 Foot Ease-Flow Adjustable Jets

*AirBath option will add 1" to height of unit*

Operating Capacity: 71 Gallons

Optional Skirt: Yes

[contractor advantage]



RN ORLN 6 72" x 42" x 20.75"

Cut-Out: 1" to inside dimension around the rim

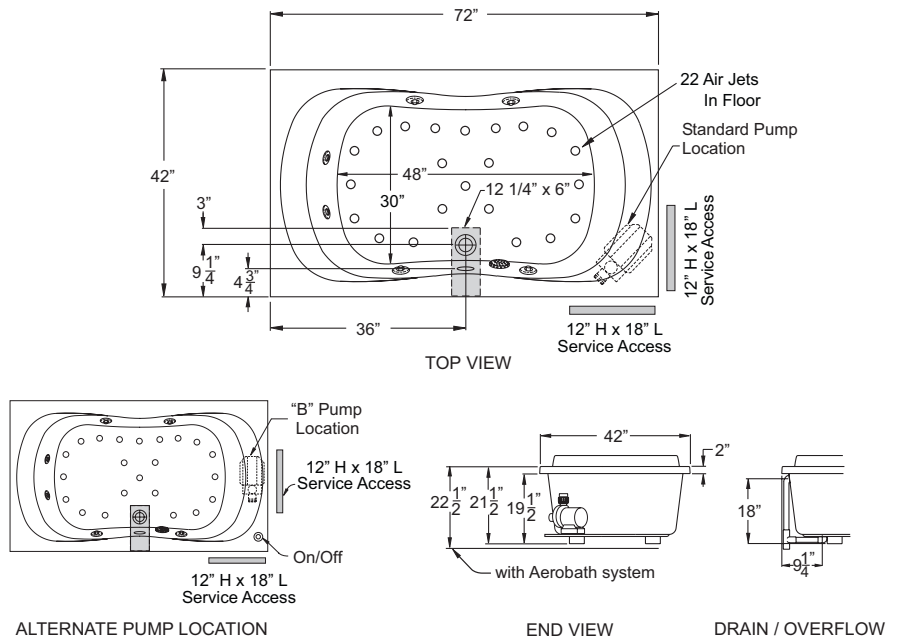
Shipping Weight: Soaker - 174 lbs Whirlpool - 204 lbs

Hydro-Massage System: 4 Premium Power-Flow Adjustable Jets, 1 Lumbar Ease-Flow Adjustable Jet, 2 Foot Ease-Flow Adjustable Jets

*AirBath option will add 1" to height of unit*

Operating Capacity: 70 Gallons

Optional Skirt: Not Available



RN RIO 7242 72" x 42" x 21.5"

Cut-Out: 70" x 40"

Shipping Weight: Soaker - 174 lbs Whirlpool - 204 lbs

Hydro-Massage System: 4 Premium Power-Flow Adjustable Jets, 2 Lumbar Ease-Flow Adjustable Jets

*AirBath option will add 1" to height of unit*

Operating Capacity: 59 Gallons

Optional Skirt: Yes

# [contractor advantage]

Contractor Advantage Model	Dimensions	Dimensions with AirBath	Cut-Out	Operating Capacity
RN 6032	60" x 32" x 20"	60" x 32" x 21"	58" x 30"	39 gallons
RN 6036	60" x 36" x 20"	60" x 36" x 21"	58" x 34"	40 gallons
RN TAHI 5	60" x 42" x 18.25"	60" x 42" x 19.25"	58" x 40"	49 gallons
RN 6040	58.75" x 39" x 21"	58.75" x 39" x 22"	1" to inside dimension around the rim	39 gallons
RN ORLN 5	60" x 42" x 19.25"	60" x 42" x 20.25"	1" to inside dimension around the rim	49 gallons
RN RIO 6042	60" x 42" x 21"	60" x 42" x 22"	58" x 40"	59 gallons
RN 6060	59.75" x 59.75" x 20.75"	59.75" x 59.75" x 21.75"	1" to inside dimension around the rim	71 gallons
RN IBIZA	60" x 60" x 21.5"	60" x 60" x 22.5"	1" to inside dimension around the rim	71 gallons
RN 6636	66" x 36" x 20"	66" x 36" x 21"	64" x 34"	38 gallons
RN 7040	71.5" x 40.5" x 20.5"	71.5" x 40.5" x 21.5"	1" to inside dimension around the rim	69 gallons
RN 7236	72" x 36" x 20.5"	72" x 36" x 21.5"	70" x 34"	57 gallons
RN TAHI 6	72" x 42" x 20.5"	72" x 42" x 21.5"	70.5" x 40.5"	71 gallons
RN ORLN 6	72" x 42" x 20.75"	72" x 42" x 21.75"	1" to inside dimension around the rim	70 gallons
RN RIO 7242	72" x 42" x 21.5"	72" x 42" x 22.5"	70" x 40"	59 gallons



soaker tub



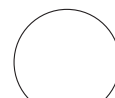
whirlpool



airtub

### CHOICE

Contractor Advantage bathtubs are available in three configurations: soaker tub, whirlpool or airtub.



white



bone



biscuit

### PREMIUM THERMAL CAST ACRYLIC

Contractor Advantage bathtubs are available in three thermal cast acrylic finish colors: white, bone or biscuit.

Shipping Weight Soaker	Shipping Weight Whirlpool	Factory Installed Skirt (Aventura)	Factory or Field Installed Skirt (Deco)	Hydro-Massage System
153 lbs.	183 lbs.	Yes	Yes	(4) power-flow jets (2) ease-flow jets
158 lbs.	188 lbs.	Yes	Yes	(4) power-flow jets (2) ease-flow jets
164 lbs.	194 lbs.	Yes	Yes	(4) power-flow jets (1) ease-flow jets
164 lbs.	194 lbs.	No	No	(4) power-flow jets (1) ease-flow jets
152 lbs.	182 lbs.	No	No	(4) power-flow jets (1) ease-flow jets
164 lbs.	194 lbs.	Yes	Yes	(4) power-flow jets (2) ease-flow jets
180 lbs.	210 lbs.	Yes	Yes	(4) power-flow jets (3) ease-flow jets
182 lbs.	212 lbs.	Yes	Yes	(4) power-flow jets (3) ease-flow jets
166 lbs.	196 lbs.	Yes	Yes	(4) power-flow jets (3) ease-flow jets
129 lbs.	159 lbs.	No	No	(4) power-flow jets (3) ease-flow jets
169 lbs.	199 lbs.	Yes	Yes	(4) power-flow jets (3) ease-flow jets
180 lbs.	210 lbs.	Yes	Yes	(4) power-flow jets (3) ease-flow jets
174 lbs.	204 lbs.	No	No	(4) power-flow jets (3) ease-flow jets
174 lbs.	204 lbs.	Yes	Yes	(4) power-flow jets (2) ease-flow jets



DURABILITY



EASY  
INSTALLATION



SAFETY



HIGH  
PERFORMANCE  
FEATURES

 [contractor advantage]

soaker tubs | whirlpools | airtubs



**PRAXIS**

435 Industrial Road | Savannah, TN 38372  
800.443.7269 | [praxiscompanies.com](http://praxiscompanies.com)