

# Shower Drain Assembly

## INSTALLATION INSTRUCTIONS

Apply silicone caulk between the the drain flange and the inside surface of the shower around the drain hole to provide a water tight seal.

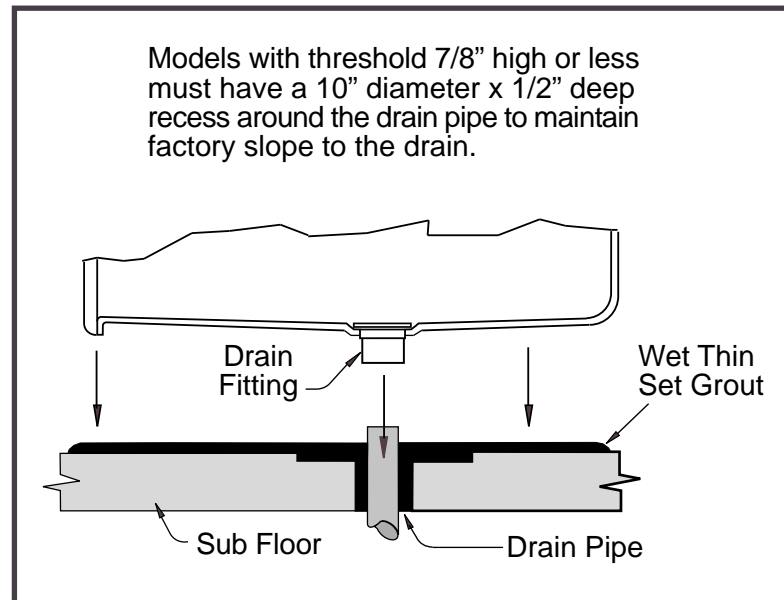
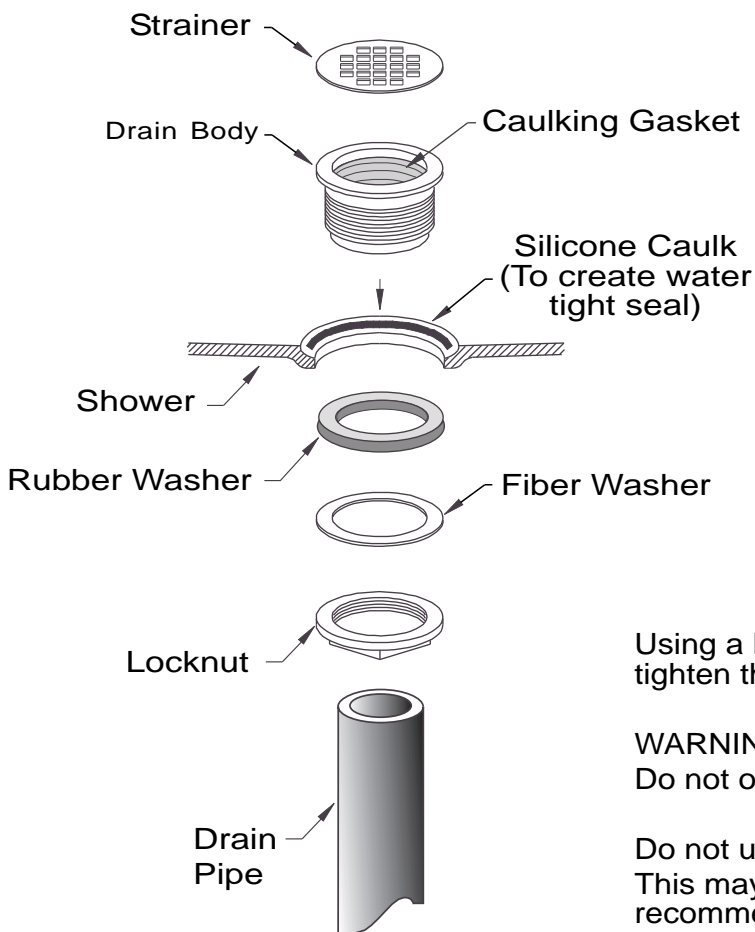
On the underside of the shower, install the rubber washer, then the fiber washer over the threaded part of the drain body.

Thread on the locknut and hand tighten. Snug locknut with a wrench. Do not overtighten. Wipe away excess caulking from the inside surface, near the fitting.

When lowering shower into position, direct the drain pipe through the drain body fitting installed on the shower drain outlet.

Slide rubber caulking gasket into the drain body and slip over pipe.

Make certain that the beveled end of the gasket is facing up and is flush with the top of the pipe.



Using a large screwdriver and the tool provided with the drain, tighten the inside caulking nut into the drain body.

### WARNING:

Do not overtighten caulking or lock nuts on any plastic drain.

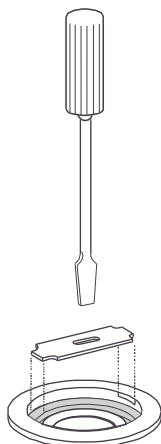
Do not use an oil base sealer.

This may cause the drain to break or warp. Use only an ASTM recommended silicone sealer.

Trim drain pipe if required.

Finish the installation by snapping the strainer into place.

NOTE: Watertight installation of the drain is installers responsibility. Drain leakage is excluded from the limited warranty.



PRAXIS COMPANIES  
435 INDUSTRIAL ROAD, SAVANNAH, TN. 38372  
731-925-7656