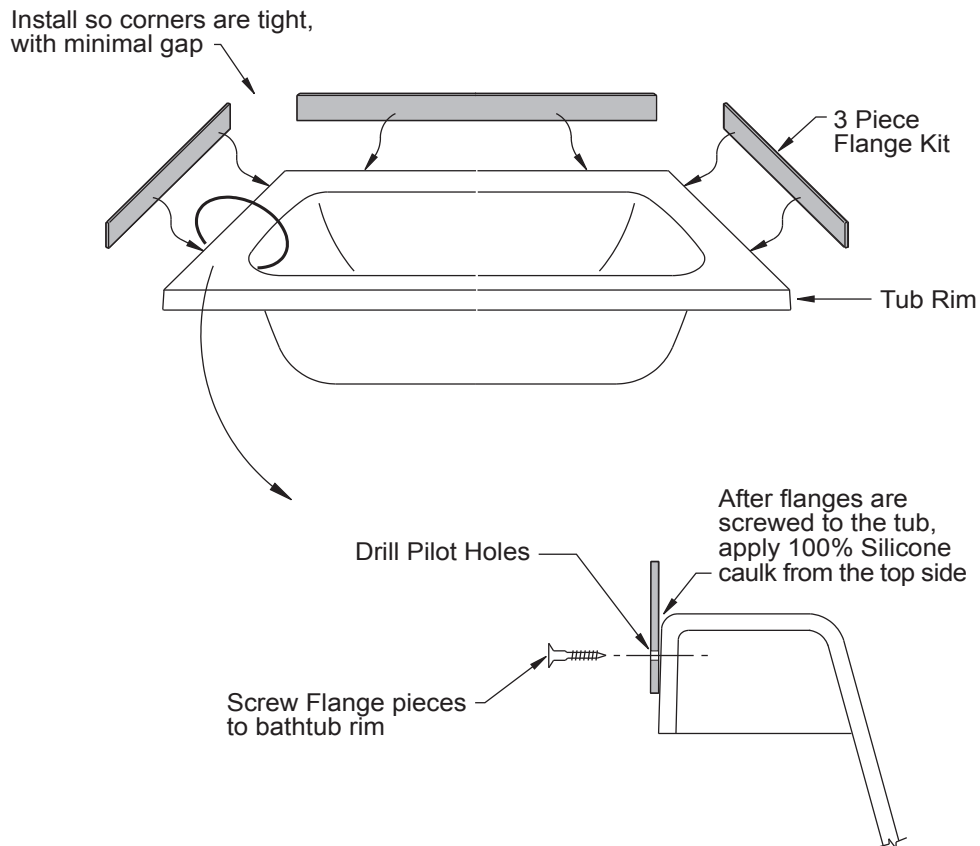




Whirlpool Flange Kit Installation Instructions



Thank you for purchasing Praxis Bathware. For best results, please read and follow all directions carefully.

INSTALLATION INSTRUCTIONS

1. Plan the installation so the flange pieces will overlap the bathtub rim so they may be attached with screws. Plan so there will be a minimum of one inch of flange above the bathtub rim when the flanges are installed.

2. Carefully measure and cut the Flange Kit pieces to fit the bathtub. The flange pieces should meet in the corners. Fill any gap with 100% Silicone caulk.

3. When cut to size, use masking tape to attach the flange pieces to the bathtub in the installed position. Make sure the corners meet, or nearly meet with minimal gap.

4. Using a #15 (.180") bit, drill holes through the flange and bathtub rim. The holes should be spaced approximately 8 - 10 inches apart.

5. Using #10 self tapping pan head screws, attach the flange pieces to the bathtub.

6. From the top side, apply 100% Silicone caulk where the flange meets the bathtub rim. Caulk along the entire length, including the two corners. Smooth the caulking before it cures.

© 2013, The Praxis Companies, LLC
435 Industrial Rd., Savannah, TN 38372
Customer Service: 800.443.7269
www.praxiscompanies.com



Whirlpool Flange Kit Installation Instructions



Whirlpool Flange Kit Installation Instructions



Whirlpool Flange Kit Installation Instructions



Whirlpool Flange Kit Installation Instructions



Whirlpool Flange Kit Installation Instructions



Whirlpool Flange Kit Installation Instructions



Whirlpool Flange Kit Installation Instructions