

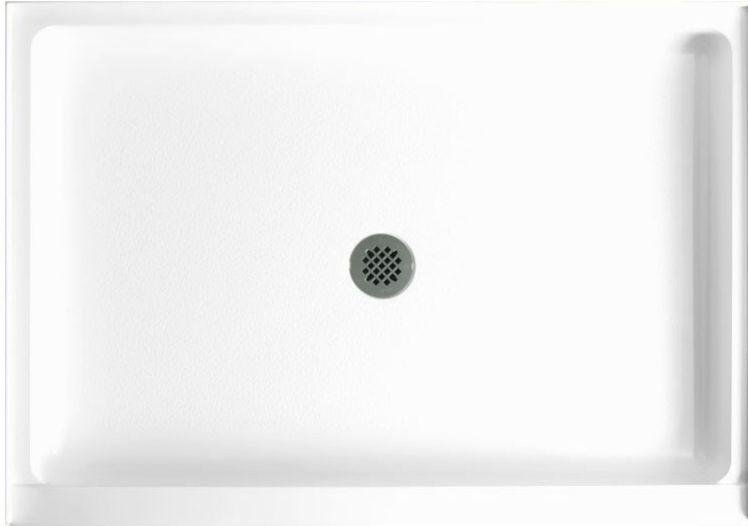
R-3448

inches

COMPRESSION-MOLDED SOLID SURFACE SHOWER BASE

Exterior Dimensions: 48W x 34D x 5 ½H

Interior Dimensions: 44W x 28D



FEATURES

- Compression-molded solid surface with glass reinforcement technology
- Single threshold
- Impact, chemical and mold resistant
- Impervious to chemicals and corive solvents
- Color and texture throughout
 - no surface coating to crack or chip
- 4 ½ threshold
- Pebbled, textured bottom surface
- Center drain
- Molded-in FitFlo drain
- Coordinates with other Solid Surface shower systems
- 30-year warranty*

STANDARDS AND RATINGS

- ASTM E-84:
Class A Flame Spread Rating
- ANSI Z124
- IAPMO Z124-2011
- cUPC listed

*See terms and conditions for details.

KIT INCLUDES

- 2" Standard Rubber Gasket
- Color matched plastic cover (White or Bisque)
- Stainless Steel Cover for all other colors

COLOR & TRIM OPTIONS

Standard Color	Code
White	.900
Optional Colors	Code
Bone	.037
Bisque	.018
Storm Gray	.223
Aster	.224
Sea Breeze	.225
Carrara	.221
Birch	.226
Ash Gray	.203
Charcoal Gray	.209
Limestone	.218
Clay	.212
Sandstone	.215

Additional custom colors available.



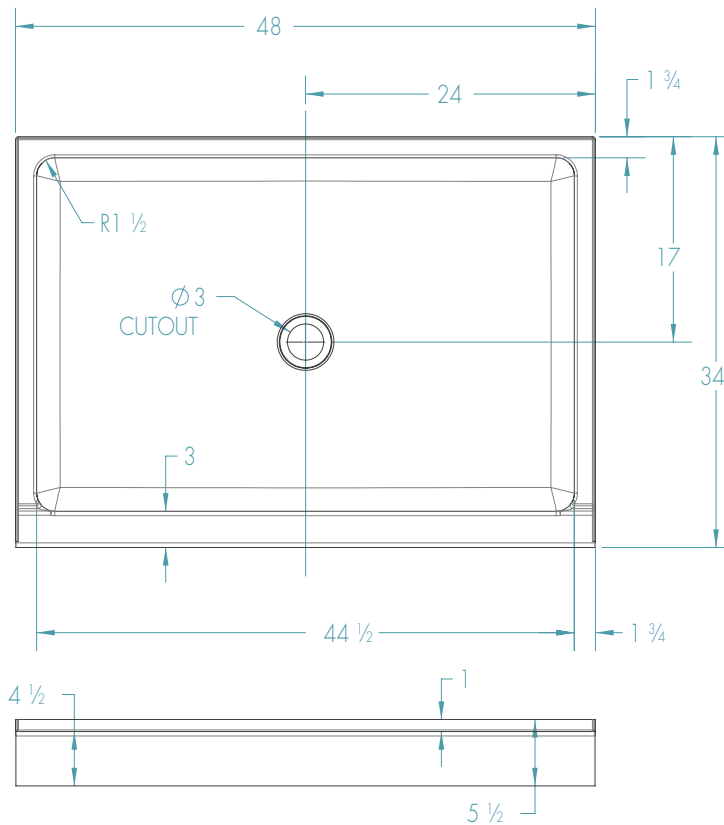
MADE IN THE USA

R-3448

Exterior Dimensions: 48W x 34D x 5 ½H
 Interior Dimensions: 44W x 28D
 inches

Installation instructions can be found on the abghospitality.com website.

Material to be stacked on pallets.



FEATURES Dimensional Tolerance $\pm \frac{3}{16}$ ". Dimensions needed for site preparation should be measured from the unit. American Bath Group assumes no responsibility for preparatory work.

Type and Model #	Material	Drain	Threshold Height	Pkg. Wt. lbs
Shower Base #R-3448	Compression-Molded Solid Surface	Center	4 ½	47

DIMENSIONS

Specifications	inches
Width:	48
Depth:	34
Height:	5 ½
Enclosure Opening:	48 ¾
Drain Rough-In (from Back Wall)	17 ¾
Drain Rough-In (from Side Wall)	24 ¾
Threshold:	3

FRAMING DIMENSIONS inches

Type	D Depth	W Width	H Height	A	B	C
Alcove	34 ¾	48 ¾	-	Box Out	17 ¾	24 ¾

