

# SR-3260L/R

inches

## COMPRESSION-MOLDED SOLID SURFACE SHOWER BASE

Exterior Dimensions: 60W x 32D x 5 ½H

Interior Dimensions: 56W x 27D



### FEATURES

- Accessible shower floor
- Retrofit shower floor
- Compression-molded solid surface with glass reinforcement technology
- Single threshold
- Impact, chemical and mold resistant  
Impervious to chemicals and corvive solvents
- Color and texture throughout  
— no surface coating to crack or chip
- 3 5/16 threshold
- Pebbled, textured bottom surface
- Left/Right drain options
- Molded-in FitFlo drain
- Coordinates with other Solid Surface shower systems
- 30-year warranty\*

### STANDARDS AND RATINGS

- ASTM E-84:  
Class A Flame Spread Rating
- ANSI Z124
- IAPMO Z124-2011
- cUPC listed

\*See terms and conditions for details.

### KIT INCLUDES

- 2" Standard Rubber Gasket
- Color matched plastic cover (White or Bisque)
- Stainless Steel Cover for all other colors

### COLOR & TRIM OPTIONS

Standard Color	Code
White	.900
Optional Colors	Code
Bone	.037
Bisque	.018
Storm Gray	.223
Aster	.224
Sea Breeze	.225
Carrara	.221
Birch	.226
Ash Gray	.203
Charcoal Gray	.209
Limestone	.218
Clay	.212
Sandstone	.215

Additional custom colors available.



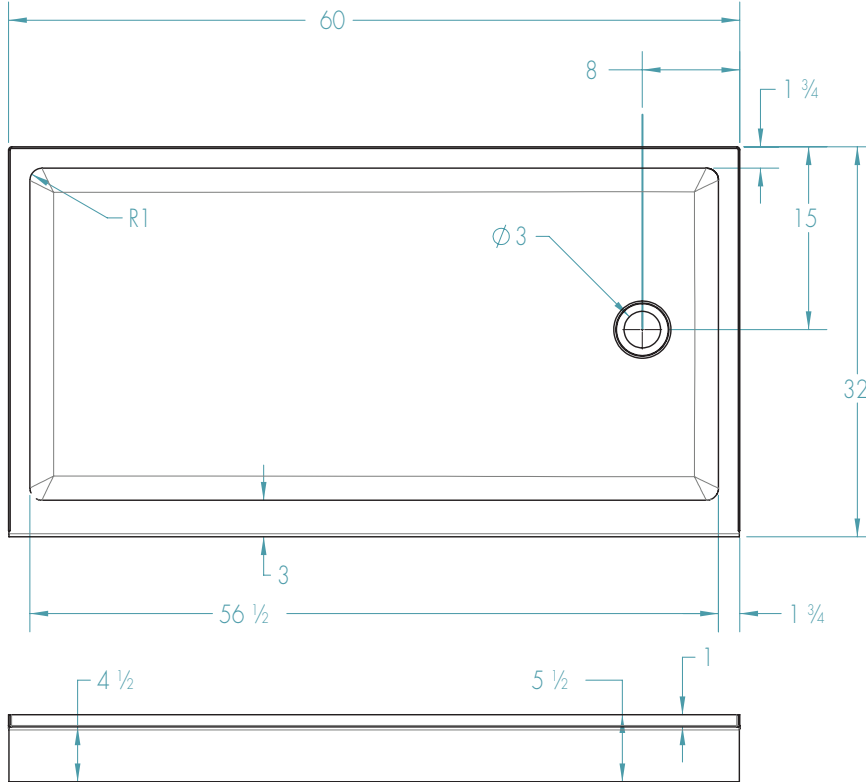
MADE IN THE USA

# SR-3260L/R

Exterior Dimensions: 60W x 32D x 5 1/2H

Interior Dimensions: 56W x 27D

inches



Installation instructions can be found on the [abghospitality.com](http://abghospitality.com) website.

Material to be stacked on pallets.

**FEATURES** Dimensional Tolerance  $\pm \frac{1}{16}$ ". Dimensions needed for site preparation should be measured from the unit. American Bath Group assumes no responsibility for preparatory work.

Type and Model #	Material	Drain	Threshold Height	Pkg. Wt. lbs
Shower Base #SR-3260L/R	Compression-Molded Solid Surface	Left or Right	3 5/16	59

## DIMENSIONS

Specifications	inches
Width:	60
Depth:	32
Height:	5 1/2
Enclosure Opening:	60 3/8
Drain Rough-In (from Back Wall)	15 9/16
Drain Rough-In (from Side Wall)	8 9/16
Threshold:	3 5/16

## FRAMING DIMENSIONS inches

Type	D Depth	W Width	H Height	A	B	C
Alcove	32 3/16	60 3/8	-	Box Out	15 3/16	8 9/16

