

# PORCELAIN ENAMEL SHOWER BASE

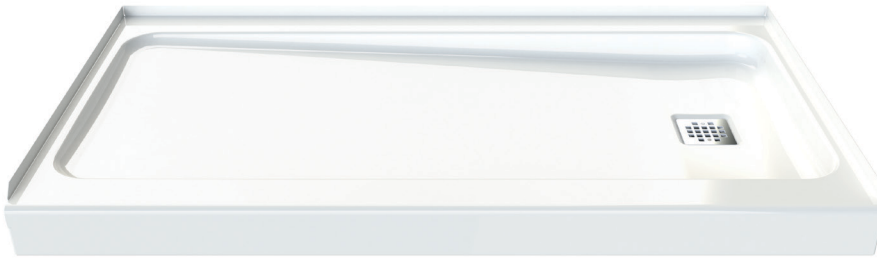
inches

WITH PREMIUM CAST INSULATION  
SQUARE DRAIN

60W x 30D x 4H

010-1002-00 (RH)

010-1003-00 (LH)



## FEATURES

- Light weight and durable
- Porcelain enamel encased with premium cast insulation
- Full length sound deadening pad
- Slip-resistant bottom
- Standard outlet
- Armorshield\* — jobsite protective coating
- Easy installation — Set it and level it

## STANDARDS AND RATINGS

- ANSI Z124.1.2 sec 5.6 (Ignition Test)
- ASME A112.19.1/CSA B45.2 (Standard for Enameled Steel Plumbing Fixtures)
- ADA (American Disabilities Act)
- ASTM F 462 (Safety Specification for Slip Resistant Bathing Facilities)
- WW-P 541 (U.S. Military Federal Specification)
- HUD-FHA-VA
- LEED
- Buy American Act

## DRAIN FINISHES

Grid	Code
Brushed Gold	BG
Brushed Nickel	BN
Chrome	CH
Dark Bronze	DB
Matte Black	MB

Solid Cover	Code
Matte Black	MB
White	WT

## COLOR & TRIM OPTIONS

Standard Color	Code
White	WT

See terms and conditions for details.

\*Optional Factory-applied, thick protective coating that guards against most jobsite damages. Please contact your ABG Hospitality specialist to learn more.



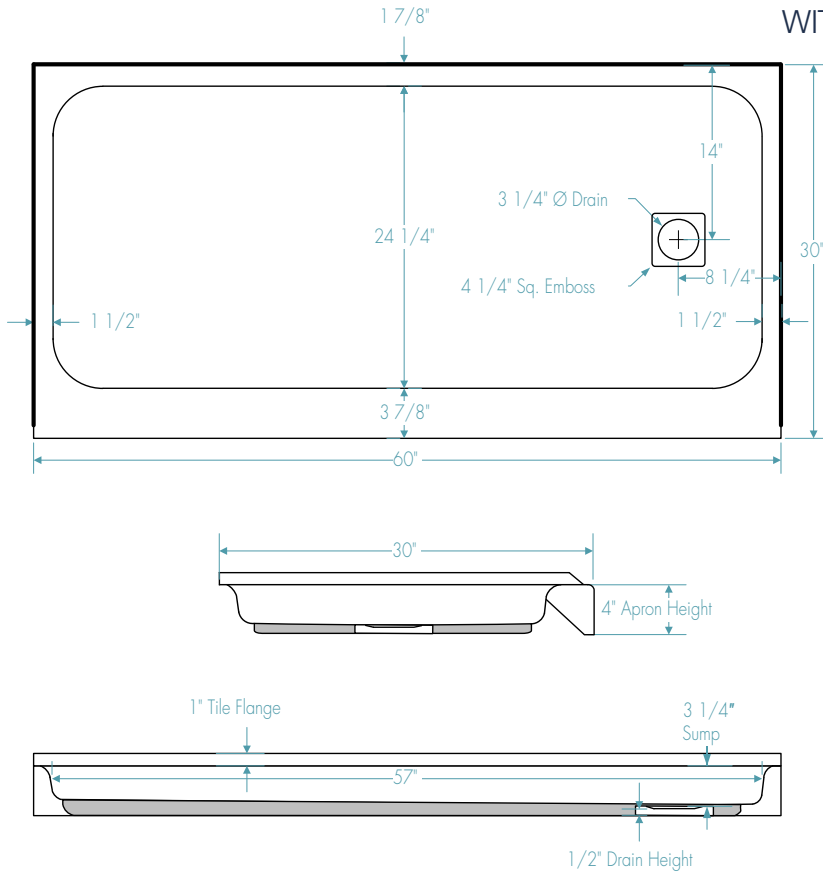
MADE IN THE USA

# PORCELAIN ENAMEL SHOWER BASE

WITH PREMIUM CAST INSULATION

SQUARE DRAIN

60W x 30D x 4H



Installation instructions can be found on the [abghospitality.com](http://abghospitality.com) website.

Material to be stacked on pallets.

**FEATURES** Dimensional Tolerance  $\pm \frac{1}{8}$ ". Dimensions needed for site preparation should be measured from the unit. American Bath Group assumes no responsibility for preparatory work.

Type and Model #	Material	Threshold Height	Drain	Pkg. Wt. lbs
Shower Base #010-1002-00	Porcelain Enamel		RH	50
Shower Base #010-1003-00	Porcelain Enamel		LH	50

## DIMENSIONS

Specifications	inches
Width:	60
Depth:	30
Height:	4
Drain Rough-In (from Back Wall)	16
Drain Rough-In (from Side Wall)	8 1/4

## FRAMING DIMENSIONS inches

Type	D Depth	W Width	A	B	C
Alcove	$\geq 32$	$> 60$	3 1/4 drain	8 1/4	16

