

PORCELAIN ENAMEL SHOWER BASE

inches

WITH PREMIUM CAST INSULATION

ROUND DRAIN

60W x 32D x 4H

010-1100-00 (RH)

010-1101-00 (LH)



FEATURES

- Light weight and durable
- Porcelain enamel encased with premium cast insulation
- Full length sound deadening pad
- Slip-resistant bottom
- Standard outlet
- Armorshield* — jobsite protective coating
- Easy installation — Set it and level it

STANDARDS AND RATINGS

- ANSI Z124.1.2 sec 5.6 (Ignition Test)
- ASME A112.19.1/CSA B45.2 (Standard for Enameled Steel Plumbing Fixtures)
- ADA (American Disabilities Act)
- ASTM F 462 (Safety Specification for Slip Resistant Bathing Facilities)
- WW-P 541 (U.S. Military Federal Specification)
- HUD-FHA-VA
- LEED
- Buy American Act

See terms and conditions for details.

*Optional Factory-applied, thick protective coating that guards against most jobsite damages. Please contact your ABG Hospitality specialist to learn more.

COLOR & TRIM OPTIONS

Standard Color	Code
White	WT

Drain assembly and cover not included



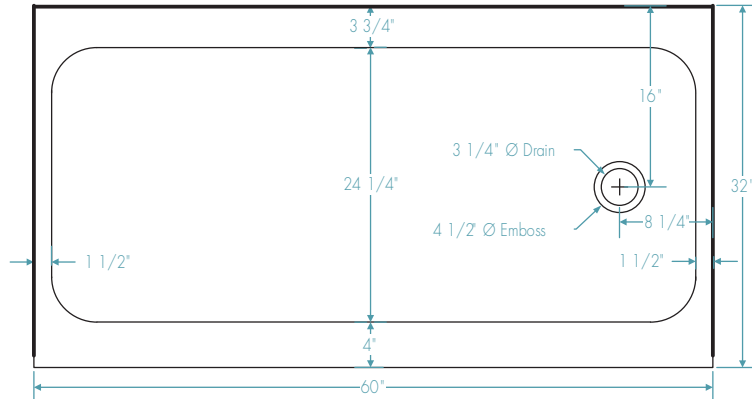
MADE IN THE USA

PORCELAIN ENAMEL SHOWER BASE

WITH PREMIUM CAST INSULATION

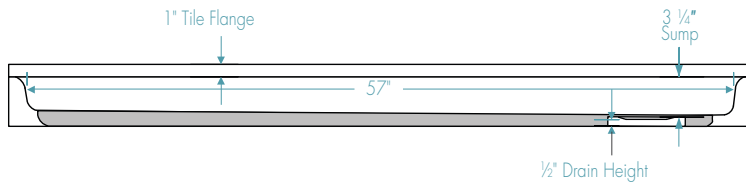
ROUND DRAIN

60W x 32D x 4H



Installation instructions can be found on the abghospitality.com website.

Material to be stacked on pallets.



FEATURES Dimensional Tolerance $\pm \frac{1}{8}$ ". Dimensions needed for site preparation should be measured from the unit. American Bath Group assumes no responsibility for preparatory work.

Type and Model #	Material	Threshold Height	Drain	Pkg. Wt. lbs
Shower Base #010-1100-00	Porcelain Enamel		RH	50
Shower Base #010-1101-00	Porcelain Enamel		LH	50

DIMENSIONS

Specifications	inches
Width:	60
Depth:	32
Height:	4
Drain Rough-In (from Back Wall)	16
Drain Rough-In (from Side Wall)	8 1/4

FRAMING DIMENSIONS inches

Type	D Depth	W Width	A	B	C
Alcove	≥ 32	> 60	3 1/4 drain	8 1/4	16

