

PORCELAIN ENAMEL SHOWER BASE

inches

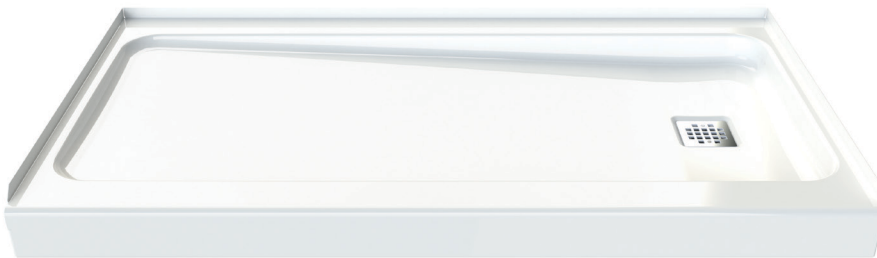
WITH PREMIUM CAST INSULATION

SQUARE DRAIN

60W x 32D x 4H

010-1102-00 (RH)

010-1103-00 (LH)



FEATURES

- Light weight and durable
- Porcelain enamel encased with premium cast insulation
- Full length sound deadening pad
- Slip-resistant bottom
- Standard outlet
- Armorshield* — jobsite protective coating
- Easy installation — Set it and level it

STANDARDS AND RATINGS

- ANSI Z124.1.2 sec 5.6 (Ignition Test)
- ASME A112.19.1/CSA B45.2 (Standard for Enameled Steel Plumbing Fixtures)
- ADA (American Disabilities Act)
- ASTM F 462 (Safety Specification for Slip Resistant Bathing Facilities)
- WW-P 541 (U.S. Military Federal Specification)
- HUD-FHA-VA
- LEED
- Buy American Act

DRAIN FINISHES

Grid	Code
Brushed Gold	BG
Brushed Nickel	BN
Chrome	CH
Dark Bronze	DB
Matte Black	MB

Solid Cover	Code
Matte Black	MB
White	WT

COLOR & TRIM OPTIONS

Standard Color	Code
White	WT

See terms and conditions for details.

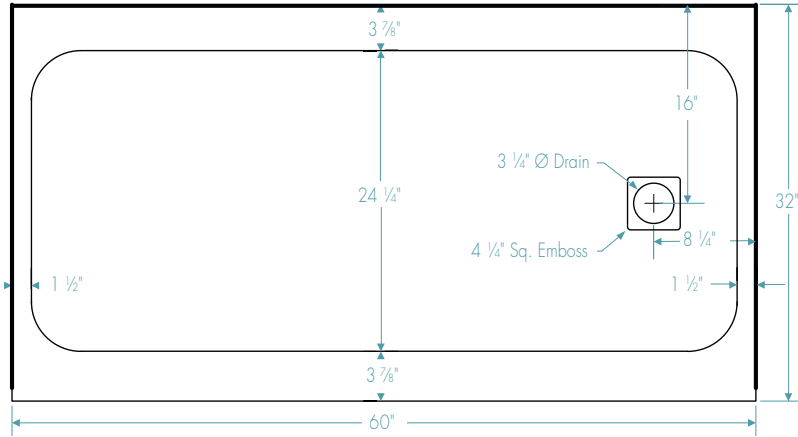
*Optional Factory-applied, thick protective coating that guards against most jobsite damages. Please contact your ABG Hospitality specialist to learn more.



MADE IN THE USA

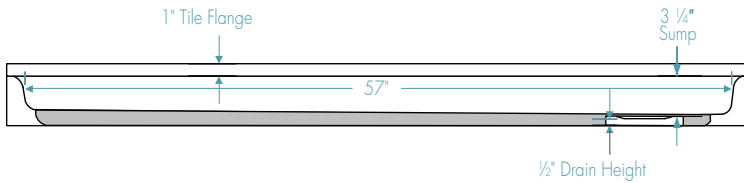
PORCELAIN ENAMEL SHOWER BASE

WITH PREMIUM CAST INSULATION
SQUARE DRAIN
60W x 32D x 4H



Installation instructions can be found on the abghospitality.com website.

Material to be stacked on pallets.



FEATURES Dimensional Tolerance $\pm \frac{1}{8}$ ". Dimensions needed for site preparation should be measured from the unit. American Bath Group assumes no responsibility for preparatory work.

Type and Model #	Material	Threshold Height	Drain	Pkg. Wt. lbs
Shower Base #010-1102-00	Porcelain Enamel		RH	50
Shower Base #010-1103-00	Porcelain Enamel		LH	50

DIMENSIONS

Specifications	inches
Width:	60
Depth:	32
Height:	4
Drain Rough-In (from Back Wall)	16
Drain Rough-In (from Side Wall)	8 1/4

FRAMING DIMENSIONS inches

Type	D Depth	W Width	A	B	C
Alcove	≥ 32	> 60	3 1/4 drain	8 1/4	16

