

# 6030SMIN – EVERYDAY BATHS

60 x 30 x 16 inches



## FEATURES

- Alcove bath
- Integral tiling flange (3T)
- Integral 16" skirt
- Slip-resistant textured bottom
- Left or right hand drain
- AcrylX™ applied acrylic surface
- Lifetime limited warranty

## OPTIONS

- Designer drain, waste & overflow

## AQUATIC ADVANTAGE

- National distribution
- 7 manufacturing facilities
- Private fleet
- Centralized customer service
- Field support

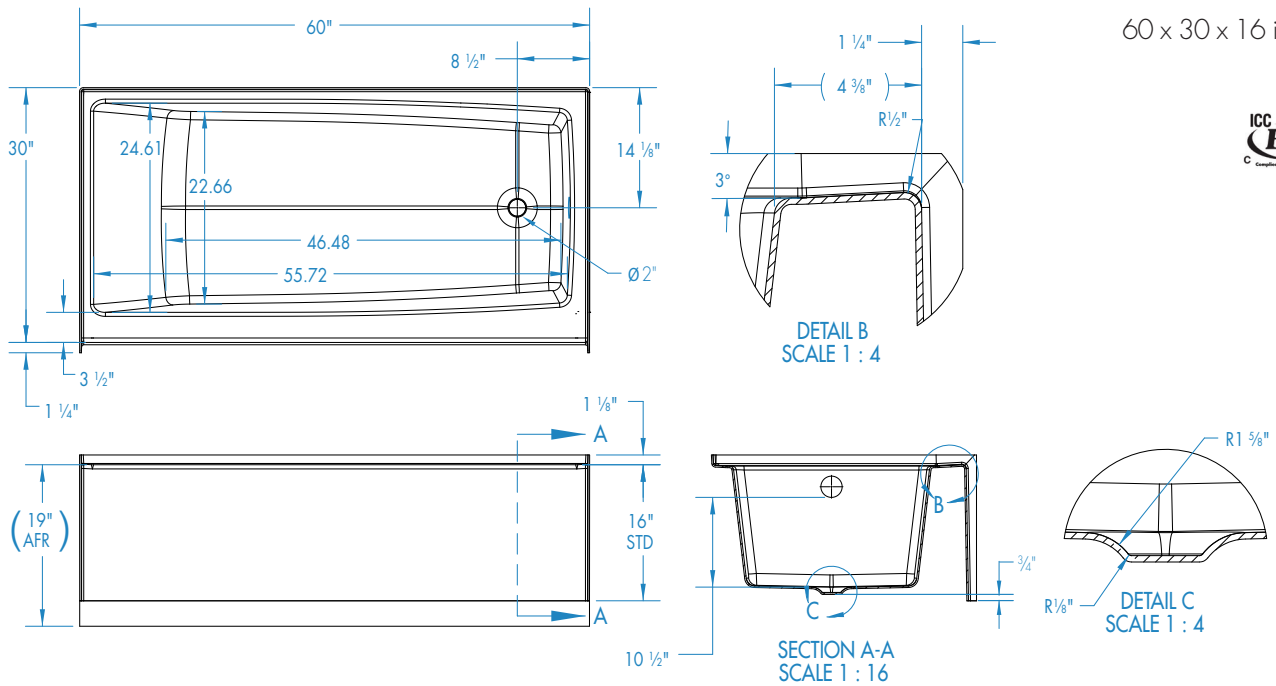
## COLOR OPTIONS

Stock	Upgraded	Premium
White	Almond Biscuit/Linen Bone	Black Mexican Sand Sand Bar Sterling Silver



# 6030SMIN

60 x 30 x 16 inches



**FEATURES** lbs      Dimensional Tolerance  $\pm \frac{3}{16}$ ". Dimensions needed for site preparation should be measured from the unit. Aquatic assumes no responsibility for preparatory work.

Model #	Material	Jets	Motor	Controls	Drain	Net Wt.	Pkg. Wt.
Soaker #6030SMIN	AcrylX™	-	-	-	LH or RH	55	60

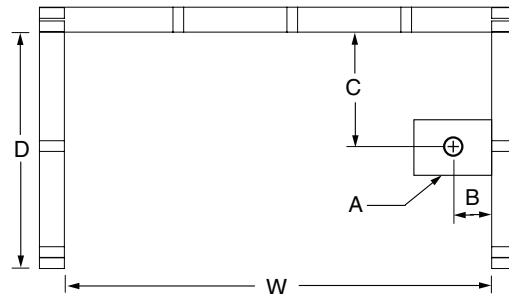
## DIMENSIONS

Specifications	inches
Width: Overall / Net	60
Depth: Overall / Net	31 1/4 / 30
Height: Overall / Net	17 1/8 / 16
Enclosure Opening	-
Skirt Height	16
Drain Rough-In (from Back Wall)	14 1/8
Drain Rough-In (from Side Wall)	1
Drain: Diameter / Clearance	2 / 3/4

## FRAMING DIMENSIONS

 inches

Type	D Depth	W Width	H Height	A	B	C
Alcove	31 1/4	60 1/8	-	Box Out	1	14 1/8



## SUMP DATA

Top of Drain to Bottom of Overflow	Capacity to Overflow gal	Min. Operating Capacity gal	WIDTH @ centerline		DEPTH @ centerline	
			Top	Bottom	Top	Bottom
10 1/2	48 1/10	-	55 3/4	46 1/2	24 3/8	22 1/2