

ABG HOSPITALITY

Select Collection

Cast Marble Shower Bases



Cast Marble Solutions

International Marble Industries

History of IMI

After relocating from Belgium to New York City, Dirk De Vuyst bought the assets of Intl. Marble Industries, Inc. (IMI) in Woodstock, GA. He refocused IMI's operations on better servicing Atlanta homebuilders by introducing a "guaranteed 5-day install." Due to IMI's success, the company moved to a brand new 30,000 sq. ft facility on 5 acres in Bell Industrial Business Park not long after.

Soon Atlanta homebuilders were building 60,000 homes a year and IMI, with its 125 team members, manufactured and installed its cast stone products in 30% of the homes in the Atlanta market. During the Great Recession, IMI's management re-focused its resources on manufacturing shower bases and tub/shower surrounds for Hospitality, Multifamily and Student Housing, and also worked on brand approval with all major flags. Eventually the company set up its own supply line of glass shower enclosures in China offering only the most popular styles to the Hospitality, Multifamily, and Student Housing markets.

Thanks to successes in the Hospitality and other Commercial Markets, IMI is now a part of American Bath Group - the largest manufacturing network in the United States. Our products now make up the IMI Cast Stone Collection within American Bath Group.

About Us

Intl. Marble Industries (IMI) is a leading Engineered Composites manufacturer, operating an EPA Certified manufacturing plant in Woodstock, GA, and a distribution center in Canton, GA. IMI produces cast stone shower bases and tub/shower surrounds for General Contractors serving the hospitality, student housing, and multifamily markets, as well as hotel owners and renovators.

IMI manufactures "MasterCast" products using the latest in full, continuous automatic casting technology guaranteeing the most consistent product quality and value available. Lead-times are critical to our customers and IMI's team works hard to ensure that our clients receive their order on their schedule, not ours. Quality, integrity, accuracy and customer support are paramount to our operating principles.



Our Vision

At IMI, we envision being your leading provider of comprehensive cast stone bathroom solutions.

Our Values

- Innovation
- Integrity
- Professionalism
- Technical Expertise
- Commitment to Serve & Support our Customers

Our Mission

To embrace our commitment to technical service, support and innovation so that we create a positive customer experience.



IMI Distribution Center



IMI Manufacturing Facility



INTERNATIONAL MARBLE INDUSTRIES

Cast Marble Solutions



OUR PROMISES TO YOU



Short Lead Times

IMI prides itself on having the shortest lead times in the industry. We can make your product within 8 weeks or less. We hold local inventory of the most popular styles of our glass shower enclosures, as well as our solid surface shower bases, which allows us to meet quick renovation timelines.



Large, Fast Deliveries

IMI delivers its products anywhere in the Continental US, North America, the Caribbean, and Canada. We manufacture in truckloads, and can produce a few hotels a day out of our plant in Woodstock, GA.



Cost Efficiency

IMI's price point is the most competitive in the industry. With our proprietary filler dust, we have a more durable and flexible product, which limits your need for replacement product, and increases efficiency in installation. High Quality Product Mix + Economical Pricing = COST EFFICIENT or VALUE



Made in the USA

IMI's cast marble products are made in the USA. We use only the best raw materials, and latest in automated casting technology. Our proprietary mix of filler improves durability and flexibility, which is a real plus for installers and owners.



INTERNATIONAL MARBLE INDUSTRIES

Cast Marble Solutions



WE TAKE CRATING SERIOUSLY!

We start with pre-built components designed around an engineered crate supplied to us by a multibillion dollar crate and pallet manufacturer. Then, we put the components together to assure maximum strength for transportation to promote damage free delivery of your products. Final results: safely strapped onto a flatbed for delivery to the job site.

Trust us: paying for the extra crating cost will keep your job on schedule (no waiting for replacement materials) and your costs in check (minimize the extra freight).



Thank you for considering IMI to be part of another successful project!



Cast Marble Solutions

Cast Marble Shower Bases



LiteCast™ Shower Bases

IMI's LiteCast™ Cast Marble Shower Bases are strong and durable with a stone foundation for a solid finish throughout. IMI has a wide variety of Cast Marble Shower Bases to choose from in a variety of sizes and colors.

Standard Rectangular & Square Shower Bases

A solid one-piece construction with drain pockets on the left, right or in the center of the shower base, some models are also ideal for tub replacements.

Trench Drain Shower Bases

Pre-leveled and available in left and right hand drain versions, they feature a standard drain pocket that is adjustable inside the trench drain channel.

Roll-In and Transfer Shower Bases

Designed for people with limited mobility, roll-in and transfer shower bases have a low threshold for enhanced access and usability.

Custom Shower Bases

Perfect for non standard sizes shower areas, custom shower bases are available in a wide variety of sizes and shapes.

Features & Benefits

- Solid, one-piece shower base solution
- Non-porous material is mold and mildew resistant for easy cleaning and long-term maintenance
- Innovative and state-of-the-art molds ensure a consistent high quality product
- Bases are pre-leveled intended for installation directly onto subflooring
- Easy-to-clean anti-slip textured pan bottom surface
- Factory-installed fiberglass flanges allow for a water tight shower base solution



LiteCast™ Cast Marble Shower Bases

IMI LiteCast™ cast marble bases are a custom blend of materials that produce a durable, sturdy and beautiful finished product. Cast marble has been a trusted material in the hospitality industry for years because of the solid feel and stone-like feature without the additional

Innovative & Stylish

- Solid, one-piece shower pan solution
- Cast marble material mimics the look and feel of a solid stone product without the cost or maintenance of stone
- Innovative, state-of-the-art molds ensure a consistent high quality product

Easy Installation & Maintenance

- Pans are pre-leveled intended for installation directly onto subflooring
- Non-porous material is mold and mildew resistant for easy cleaning and long-term maintenance
- Easy-to-clean, anti-slip textured pan bottom surface

Durable & Safe

- Factory-installed fiberglass flanges allow for a water tight shower base solution
- Heavy, strong and durable- IMI LiteCast™ cast marble is a reliable shower base for the hospitality market

Drain Finish Options

Trench Drain Cover Finishes

Standard: Brushed Steel

Ornamental (Vertically Slotted)

Decorative (Perforated)

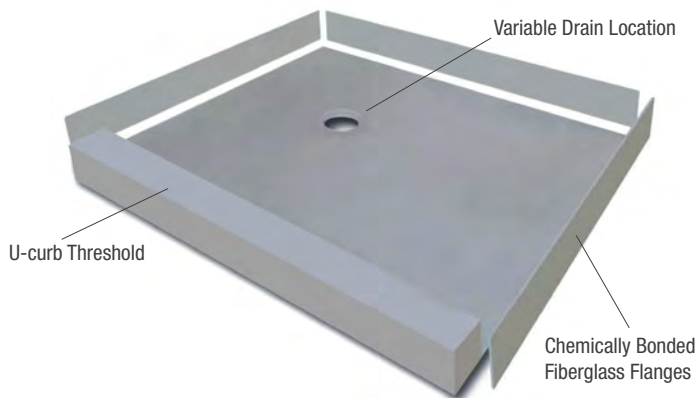
Powder Coated



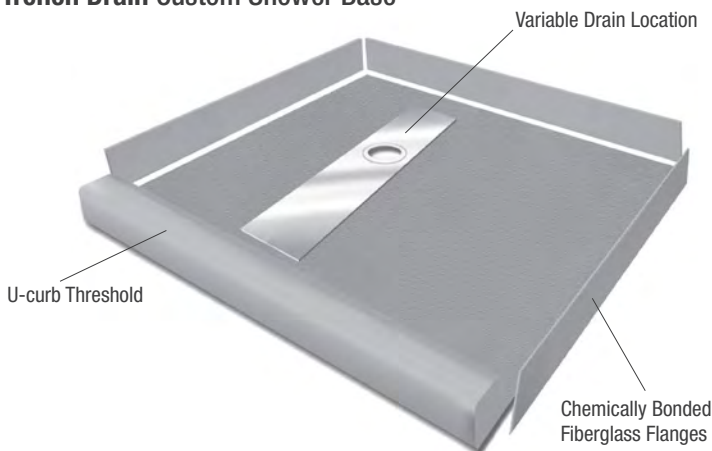
Cast Marble Solutions for Non-standard Showers

IMI cast marble custom-sized shower bases are the practical and economical solution for non-standard sizes in shower areas. Each IMI custom shower base comes standard with factory installed, chemically bonded fiberglass flanges for ultimate waterproofing, and a U-Curb threshold for easy customization. These shower bases rest on the subfloor and are pre-sloped to the drain for time-saving, easy installation. IMI cast marble custom shower bases are available with a traditional drain or a trench drain configuration with custom variable drain placement locations.

Traditional Drain Custom Shower Base



Trench Drain Custom Shower Base



Features & Benefits

- Solid one-piece construction, including fiberglass flanges, chemically bonded to base
- Pre-sloped drain to sub-floor
- Mold, mildew, and bacteria resistant
- Grout-free and non-porous
- Stain resistant and easy to clean
- Abrasion resistant gelcoat surface
- Waterproof and leak-proof

Traditional Drain Configurations

Width: Up to 116" max

Depth: Up to 88" max

Drain: Variable Drain Location

Trench Drain Configurations

66x34 LH-RH Adjustable Trench Drain

Width: Up to 66" max

Depth: Up to 34" max (with a curb, 36")

Drain: Variable Drain Location

84x36 LH-RH Adjustable Trench Drain

Width: Up to 84" max

Depth: Up to 36" max (with a curb, 38")

Drain: Variable Drain Location





Cast Marble Solutions for Your Showers

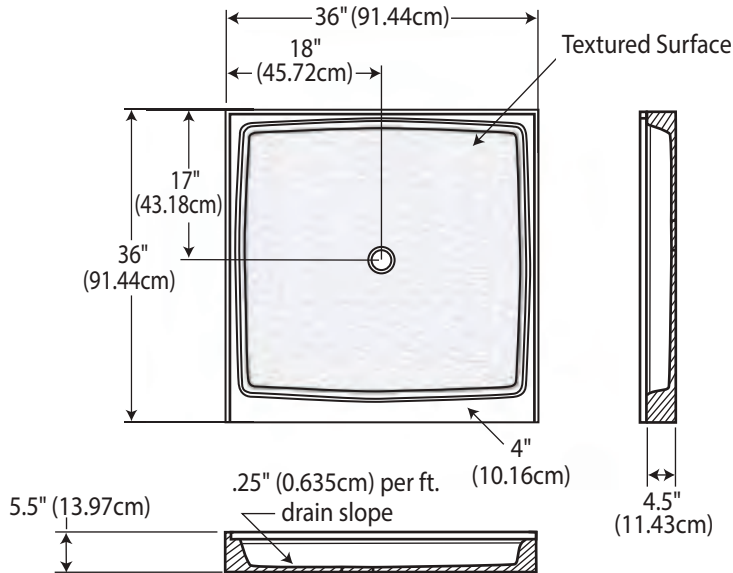
36" x 36" Standard Shower Base

SB36x36-SSB-LC

Est. Weight: ~100 lbs (45kg) IMI LiteCast™

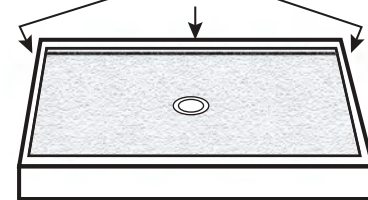
TECHNICAL SPECIFICATIONS

Top View



Front View

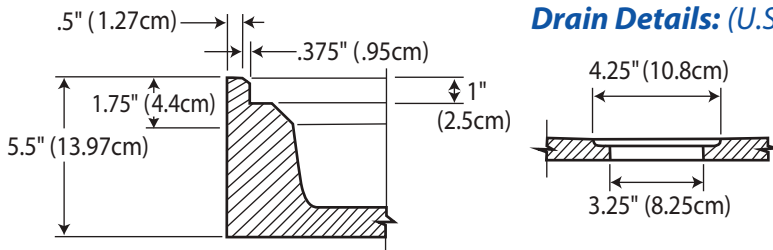
Integral Flange: Back and Sides



Standard Features:

- 4" (10cm) Wide threshold
- Solid one-piece construction
- Pre-leveled, rests on subfloor
- Mold and mildew resistant
- Bacteria resistant
- "Grout-free" and non-porous
- Stain resistant and easy to clean
- Waterproof and leakproof

Drain Details: (U.S.)



Suggested Drains:



Solvent Weld type fitting similar to Oatey Part No. 42097



Compression type "No-Caulk" fitting similar to Oatey Part No. 42099



Note: Base dimensions may vary +/- 1/8"

* Also available in IMI ProCast™

Our products comply with one or more of the following: IAPMO, ANSI, HUD, NAHB, NHQ

Typical CSI Codes: 22 42 23 (Div 22)

Revised: 2019.01.02

© 2019 Copyright IMI International Marble Industries, Inc.



INTERNATIONAL MARBLE INDUSTRIES, INC.

304 Bell Park Drive

Woodstock, GA 30188

770.928.2252

www.IMItoday.com



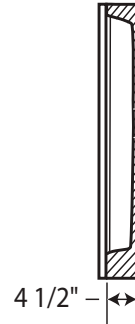
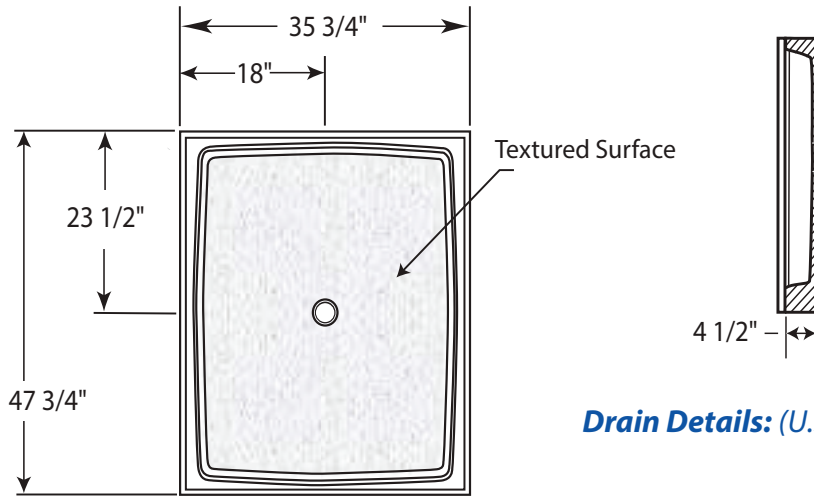
Cast Marble Solutions for Your Showers

36" x 48" Standard Shower Base

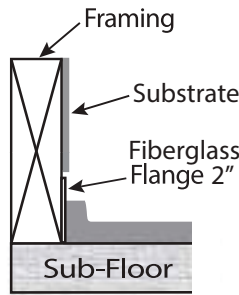
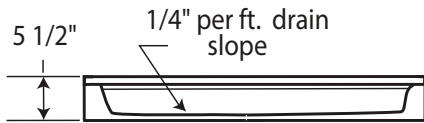
SB36x48-SSB-LC

Est. Weight: 72 lbs (32.7 kg) IMI LiteCast™

TECHNICAL SPECIFICATIONS



Drain Details: (U.S.)



Standard Features:

- 4" Wide threshold
- Solid one-piece construction
- Pre-leveled, rests on subfloor
- Mold and mildew resistant
- Bacteria resistant
- "Grout-free" and non-porous
- Stain resistant and easy to clean
- Waterproof and leakproof
- Integral flange

Specifications:

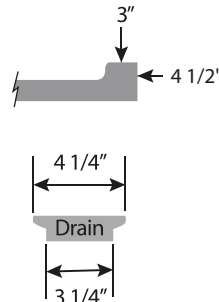
- Size: 36 x 48" Size
- Drain Location: Center of drain measures 23 1/2" from backwall)

Suggested Drains:

- Solvent Weld type fitting similar to Oatey Part No. 42097
- Compression type "No-Caulk" fitting similar to Oatey Part No. 42099



Side View of Curb



Note: Base dimensions may vary +/- 1/8"

* Also available in IMI ProCast™

Our products comply with one or more of the following: IAPMO, ANSI, HUD, NAHB, NHQ

22 42 23 (Div 22)

Revised: 2020.06.29

© 2020 Copyright IMI International Marble Industries, Inc.



SB-TB-ADA-LC

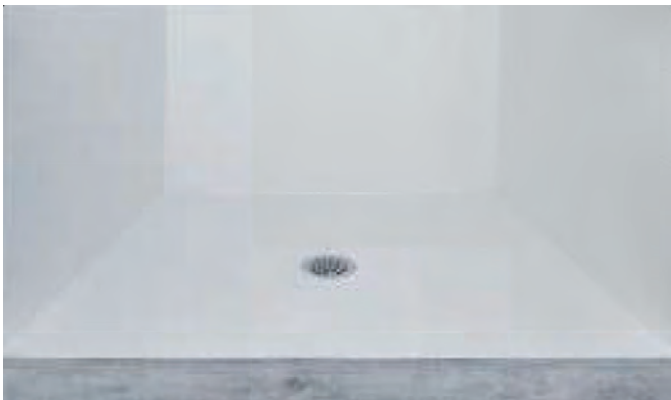
inches

TRANSFER SHOWER BASE WITH CENTER DRAIN IMI LITECAST™

Exterior Dimensions: 38W x 38D

Note: Base dimensions may vary +/- 1/8"

* Also available in IMI ProCast™



FEATURES

- Solid one-piece construction
- Abrasion-resistant gel coat surface
- Extremely sanitary
- Mold or mildew resistant
- Textured non-slip finish
- Pre-leveled — rests on subfloor
- 10-year limited warranty against manufacturing defects

STANDARDS AND RATINGS

- ANSI Z124.1.2
- 2005 Tested by NAHB
- ASTM 1028-06
Coefficient of friction test
(minimum rating of .67)
- Typical CSI Code: 22 42 23 (Div 22)
- ANSI
- ASTM (Fire Rating)
- MAS Certified Green

Code compliant when fully equipped and installed according to guidelines.

Material to be stacked on pallets.

COLOR & TRIM OPTIONS

Standard Color	Code
----------------	------

White	SW
-------	----

Optional Color	Code
----------------	------

Cream	SC
Ivory	SI
Warm White	WW

Additional custom colors available.



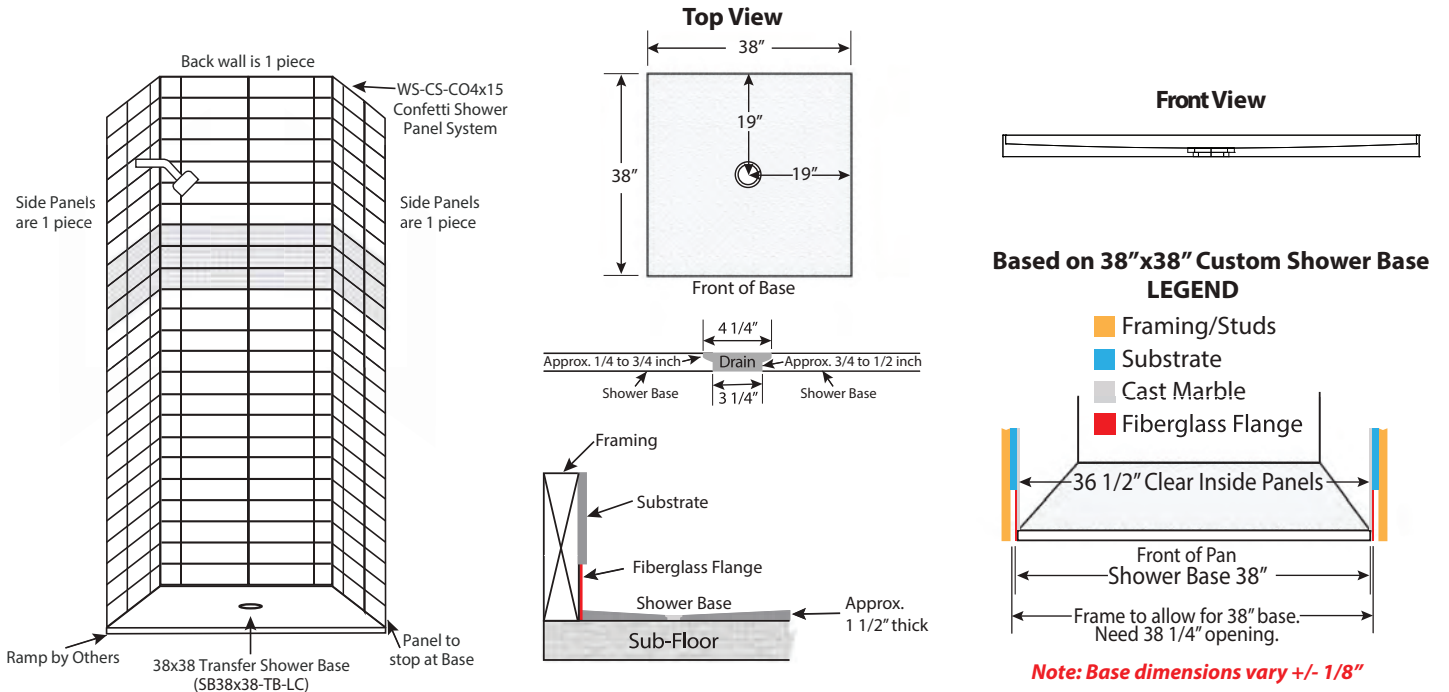
Cast Marble Solutions



SB-TB-ADA-LC

38 X 38 TRANSFER SHOWER BASE WITH CENTER DRAIN

IMI LITECAST™



FEATURES Dimensional Tolerance $\pm 1/8"$. Dimensions needed for site preparation should be measured from the unit. American Bath Group assumes no responsibility for preparatory work.

Type and Model #	Material	Shower Base	Pieces
Shower Base #SB-TB-ADA-LC	Cast Marble	Anti-Slip/Textured Finish	1

DIMENSIONS

Specifications	inches
Shower Base Depth:	38
Shower Base Width:	38
Curb Height:	1 1/2

SUGGESTED DRAINS

Image	Description
	Solvent Weld type fitting similar to Oatey Part No. 42097
	Compression type "No-Caulk" fitting similar to Oatey Part No. 42099

Rev. 11.16.21

SB40x32-SSB-LC

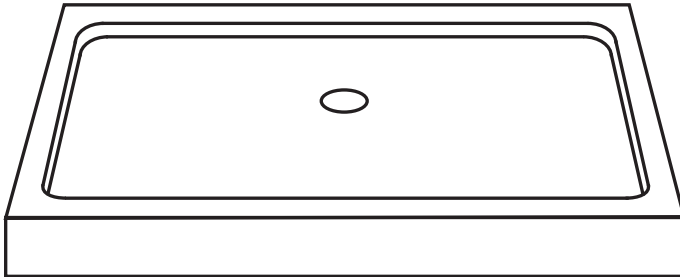
inches

40 X 32 SHOWER BASE WITH CENTER DRAIN IMI LITECAST™

Exterior Dimensions: 40W x 32D

Note: Base dimensions may vary +/- 1/4"

* Also available in IMI ProCast™



Material to be stacked on pallets.

COLOR & TRIM OPTIONS

Standard Color	Code
White	SW

Optional Color	Code
Cream	SC
Ivory	SI
Warm White	WW

Additional custom colors available.



Cast Marble Solutions

FEATURES

- Size: 40" x 32"
- Center Drain
- Drain Opening: 3.25" hole width
- Curb: Integral - 3" x 3.25" high
- Flange: Attached at factory
- Solid one-piece construction
- Pre-leveled, rests on subfloor
- Mold and mildew resistant
- Bacteria resistant
- "Grout-free" and non-porous
- Stain resistant and easy to clean
- Water proof and leak proof

STANDARDS AND RATINGS

- ANSI Z124.1.2
- 2005 Tested by NAHB
- ASTM 1028-96
Coefficient of friction test
(minimum rating of .67)
- Typical CSI Code: 22 42 23 (Div 22)
- ANSI
- ASTM (Fire Rating)
- MAS Certified Green

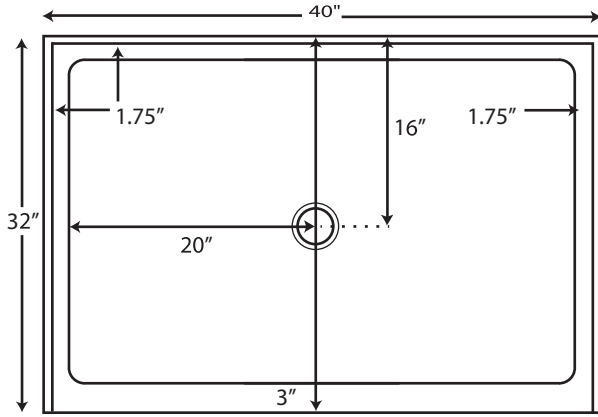
Code compliant when fully equipped and installed according to guidelines.



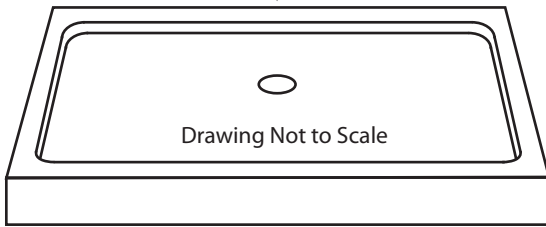
SB40x32-SSB-LC

40 X 32 SHOWER BASE WITH CENTER DRAIN

IMI LITECAST™



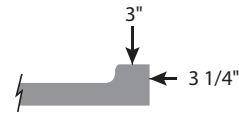
Flange Attached at Factory



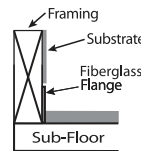
Integral 3" Wide Curb

Drawing Not to Scale

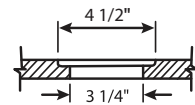
Side View of Curb



Flange Details: (U.S.)



Drain Details: (U.S.)





FEATURES Dimensional Tolerance $\pm 1/4$ ". Dimensions needed for site preparation should be measured from the unit. American Bath Group assumes no responsibility for preparatory work.

Type and Model #	Material	Shower Base	Pieces
Shower Base #SB40x32-SSB-LC	Cast Marble	Anti-Slip/Textured Finish	1

DIMENSIONS

Specifications	inches
Shower Base Depth:	32
Shower Base Width:	40
Curb Height:	3 1/4

SUGGESTED DRAINS

Image	Description
	Solvent Weld type fitting similar to Oatey Part No. 42097
	Compression type "No-Caulk" fitting similar to Oatey Part No. 42099

Rev. 08.16.21

SB40x40-RCOD-VxH-LC

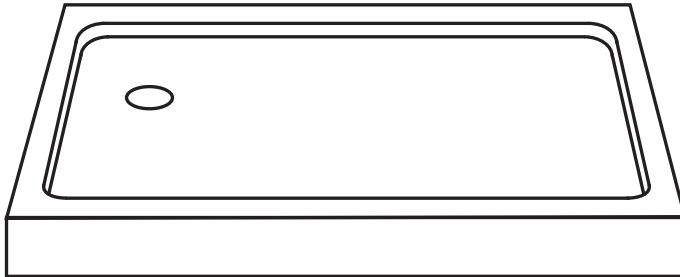
inches

40 X 40 SHOWER BASE WITH LH OR RH REAR CORNER OFFSET VORTEX DRAIN IMI LITECAST™

Exterior Dimensions: 40W x 40D

Note: Base dimensions may vary +/- 1/4"

* Also available in IMI ProCast™



Material to be stacked on pallets.

COLOR & TRIM OPTIONS

Standard Color	Code
White	SW

Optional Color	Code
Cream	SC
Ivory	SI
Warm White	WW

Additional custom colors available.



Cast Marble Solutions

FEATURES

- Available in left-hand or right-hand version
- Drain: Corner Winglt
- Drain Opening: 4.5" hole width
- Curb: Integral 3" x 3 1/4" high
- 3" wide thresholds on front
- Fiberglass flange attached at factory
- Solid one-piece construction
- Pre-leveled, rests on subfloor
- Mold and mildew resistant
- Bacteria resistant
- "Grout-free" and non-porous
- Stain resistant and easy to clean
- Waterproof and leakproof

STANDARDS AND RATINGS

- ANSI Z124.1.2
- 2005 Tested by NAHB
- ASTM 1028-96
Coefficient of friction test
(minimum rating of .67)

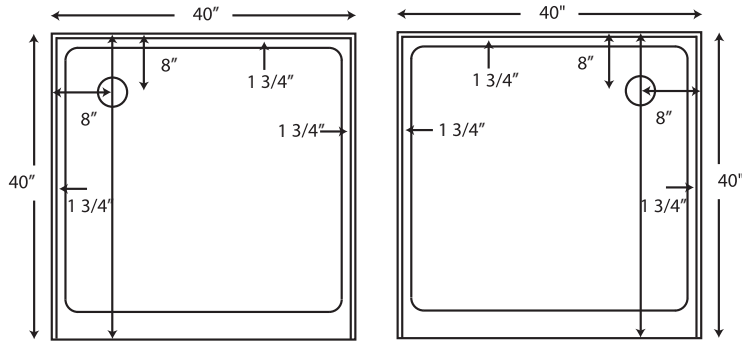
Code compliant when fully equipped and installed according to guidelines.



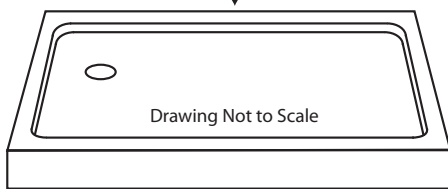
SB40x40-RCOD-VxH-LC

40 X 40 SHOWER BASE WITH LH OR RH REAR CORNER OFFSET VORTEX DRAIN

IMI LITECAST™

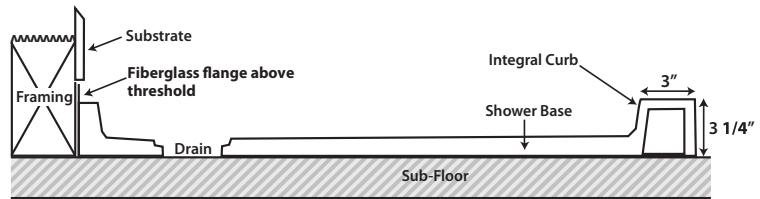


Fiberglass Flange Attached at Factory



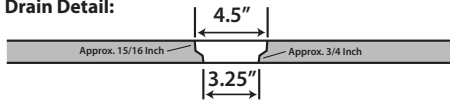
Integral 3 1/4" Curb

Left Hand Drain Shown. Left & Right Hand Drain Available



Drain not included. Finished product dimensions may vary +/- 1/8" from drawing.

Drain Detail:

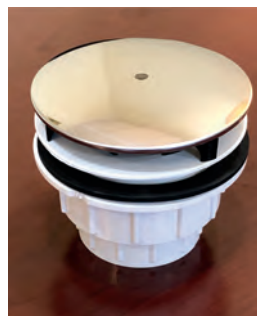


FEATURES Dimensional Tolerance $\pm 1/4"$. Dimensions needed for site preparation should be measured from the unit. American Bath Group assumes no responsibility for preparatory work.

Type and Model #	Material	Shower Base	Pieces
Shower Base #SB40x40-RCOD-VxH-LC	Cast Marble	Anti-Slip/Textured Finish	1

DIMENSIONS

Specifications	inches
Shower Base Depth:	40
Shower Base Width:	40
Curb Height:	3 1/4



REQUIRED DRAIN

Note: Drain opening is NOT a standard drain opening. This base can only be used with Winglts Vortex Shower Drain pictured.

SB42x36-SSB-LC

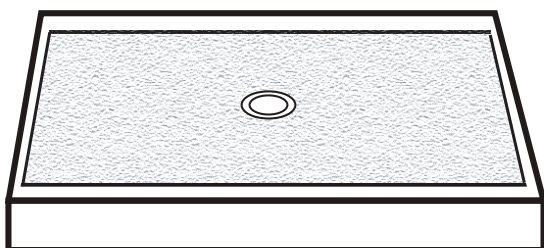
inches

42 X 36 STANDARD SHOWER BASE WITH CENTER DRAIN IMI LITECAST™

Exterior Dimensions: 42W x 36D

Note: Base dimensions may vary +/- 1/4"

* Also available in IMI ProCast™



FEATURES

- 4" wide threshold
- Solid one-piece construction
- Pre-leveled, rests on subfloor
- Mold and mildew resistant
- Bacteria resistant
- "Grout-free" and non-porous
- Stain resistant and easy to clean
- Water proof and leak proof

STANDARDS AND RATINGS

- ANSI Z124.1.2
- 2005 Tested by NAHB
- ASTM 1028-96
Coefficient of friction test
(minimum rating of .67)
- Typical CSI Code: 22 42 23 (Div 22)
- ANSI
- ASTM (Fire Rating)
- MAS Certified Green

Code compliant when fully equipped and installed according to guidelines.

Material to be stacked on pallets.

COLOR & TRIM OPTIONS

Standard Color	Code
----------------	------

White	SW
-------	----

Optional Color	Code
----------------	------

Cream	SC
Ivory	SI
Warm White	WW

Additional custom colors available.



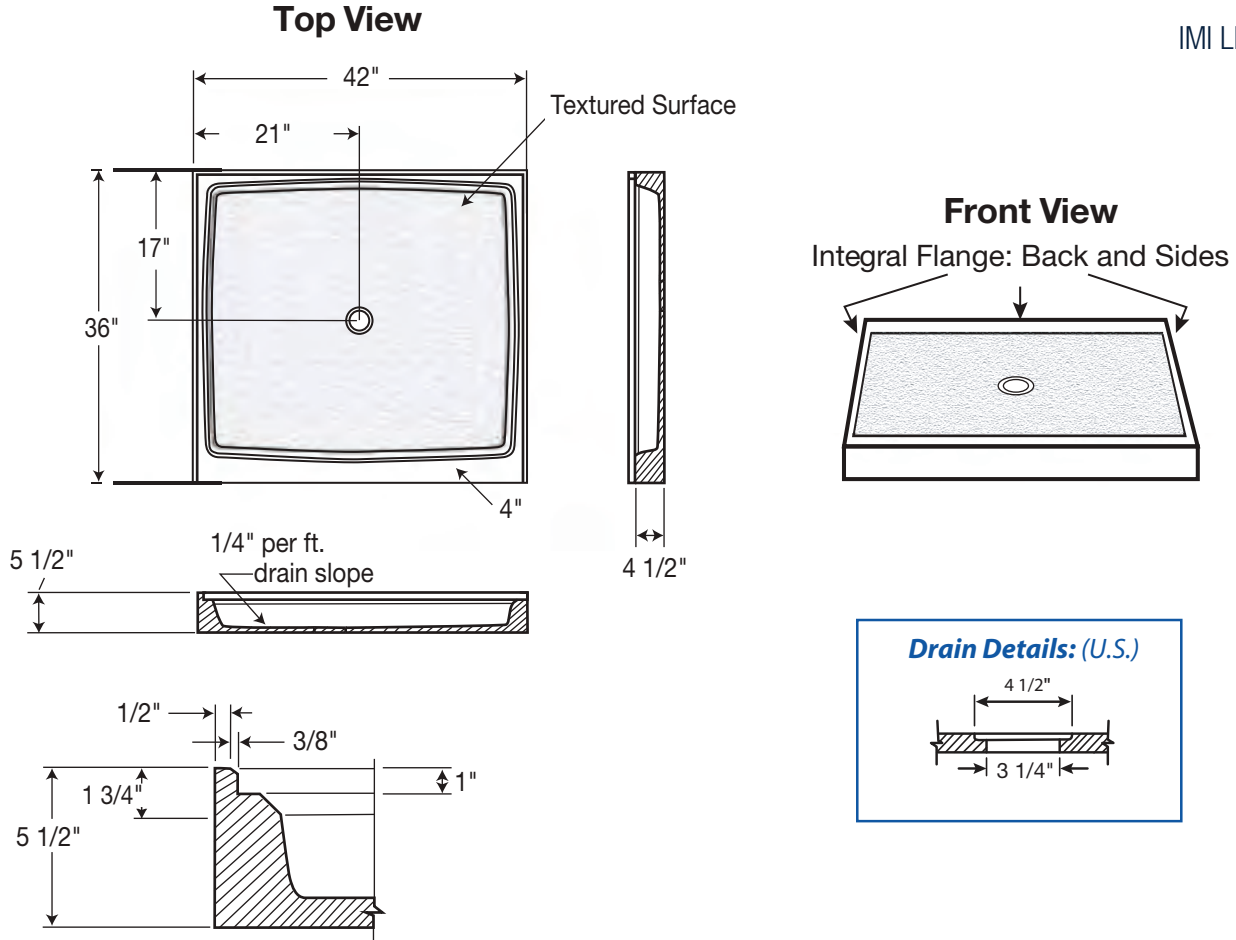
Cast Marble Solutions



SB42x36-SSB-LC

42 X 36 STANDARD SHOWER BASE WITH CENTER DRAIN

IMI LITECAST™



FEATURES Dimensional Tolerance $\pm 1/4"$. Dimensions needed for site preparation should be measured from the unit. American Bath Group assumes no responsibility for preparatory work.

Type and Model #	Material	Shower Base	Pieces
Shower Base #SB42x36-SSB-LC	Cast Marble	Anti-Slip/Textured Finish	1

DIMENSIONS

Specifications	inches
Shower Base Depth:	36
Shower Base Width:	42
Curb Height:	5 1/2

SUGGESTED DRAINS

Image	Description
	Solvent Weld type fitting similar to Oatey Part No. 42097
	Compression type "No-Caulk" fitting similar to Oatey Part No. 42099

Rev. 08.16.21

SB48x32-SSB-LC

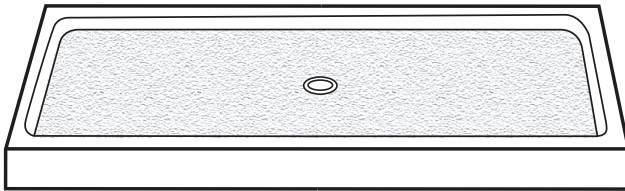
inches

48 X 32 STANDARD SHOWER BASE WITH CENTER DRAIN IMI LITECAST™

Exterior Dimensions: 48W x 32D

Note: Base dimensions may vary +/- 1/4"

* Also available in IMI ProCast™



Material to be stacked on pallets.

COLOR & TRIM OPTIONS

Standard Color	Code
White	SW

Optional Color	Code
Cream	SC
Ivory	SI
Warm White	WW

Additional custom colors available.



Cast Marble Solutions

FEATURES

- 3" wide x 2 3/4" tall curb
- Fiberglass flange
- Solid one-piece construction
- Pre-leveled, rests on subfloor
- Mold and mildew resistant
- Bacteria resistant
- "Grout-free" and non-porous
- Stain resistant and easy to clean
- Water proof and leak proof

STANDARDS AND RATINGS

- ANSI Z124.1.2
- 2005 Tested by NAHB
- ASTM 1028-96
Coefficient of friction test
(minimum rating of .67)
- Typical CSI Code: 22 42 23 (Div 22)
- ANSI
- ASTM (Fire Rating)
- MAS Certified Green

Code compliant when fully equipped and installed according to guidelines.

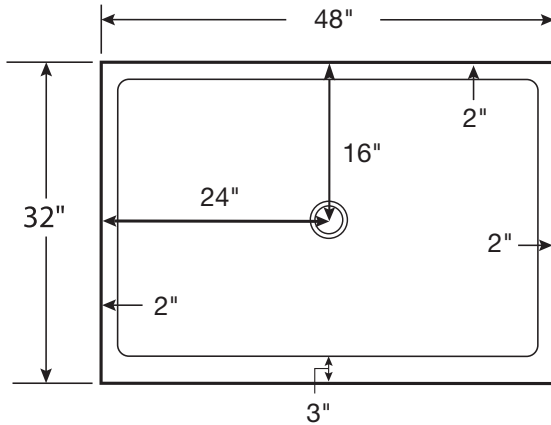


SB48x32-SSB-LC

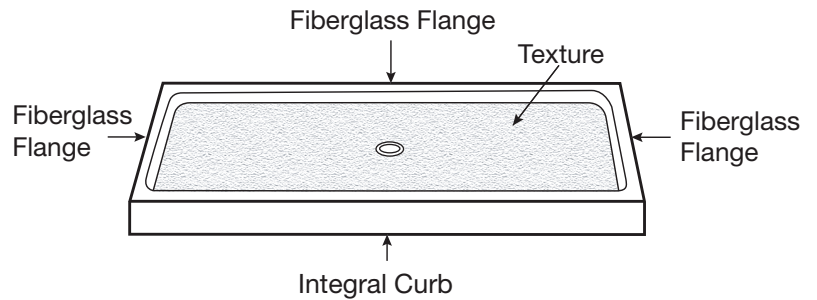
48 X 32 STANDARD SHOWER BASE WITH CENTER DRAIN

IMI LITECAST™

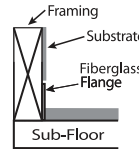
Top View



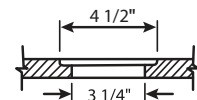
Front View



Flange Details: (U.S.)



Drain Details: (U.S.)





FEATURES Dimensional Tolerance $\pm 1/4"$. Dimensions needed for site preparation should be measured from the unit. American Bath Group assumes no responsibility for preparatory work.

Type and Model #	Material	Shower Base	Pieces
Shower Base #SB48x32-SSB-LC	Cast Marble	Anti-Slip/Textured Finish	1

DIMENSIONS

Specifications	inches
Shower Base Depth:	32
Shower Base Width:	48
Curb Height:	2 3/4

SUGGESTED DRAINS

Image	Description
	Solvent Weld type fitting similar to Oatey Part No. 42097
	Compression type "No-Caulk" fitting similar to Oatey Part No. 42099

Rev. 08.16.21

SB48x34-SSB-LC

inches

48 X 34 STANDARD SHOWER BASE WITH CENTER DRAIN IMI LITECAST™

Exterior Dimensions: 48W x 34D

Note: Base dimensions may vary +/- 1/4"

* Also available in IMI ProCast™



FEATURES

- 3" wide threshold
- Solid one-piece construction
- Pre-leveled, rests on subfloor
- Mold and mildew resistant
- Bacteria resistant
- "Grout-free" and non-porous
- Stain resistant and easy to clean
- Water proof and leak proof

STANDARDS AND RATINGS

- Typical CSI Code: 22 42 23 (Div 22)
- ANSI
- ASTM (Fire Rating)
- MAS Certified Green

Code compliant when fully equipped and installed according to guidelines.

Material to be stacked on pallets.

COLOR & TRIM OPTIONS

Standard Color	Code
----------------	------

White	SW
-------	----

Optional Color	Code
----------------	------

Cream	SC
Ivory	SI
Warm White	WW

Additional custom colors available.



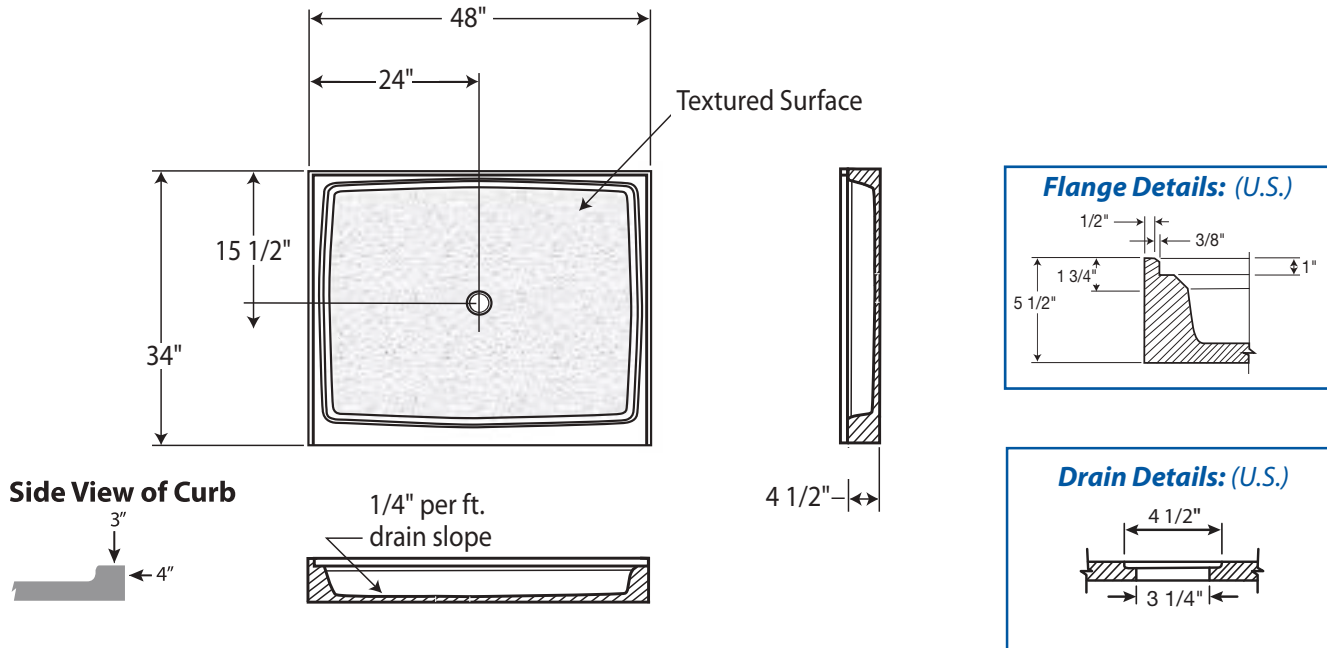
Cast Marble Solutions



SB48x34-SSB-LC

48 X 34 STANDARD SHOWER BASE WITH CENTER DRAIN

IMI LITECAST™





FEATURES Dimensional Tolerance $\pm 1/4$ ". Dimensions needed for site preparation should be measured from the unit. American Bath Group assumes no responsibility for preparatory work.

Type and Model #	Material	Shower Base	Pieces
Shower Base #SB48x34-SSB-LC	Cast Marble	Anti-Slip/Textured Finish	1

DIMENSIONS

Specifications	inches
Shower Base Depth:	34
Shower Base Width:	48
Curb Height:	4

SUGGESTED DRAINS

Image	Description
	Solvent Weld type fitting similar to Oatey Part No. 42097
	Compression type "No-Caulk" fitting similar to Oatey Part No. 42099

Rev. 08.16.21

SB48x36-4TD-xH-LC

inches

48 X 36 SHOWER BASE WITH 4" TRENCH DRAIN IMI LITECAST™

Exterior Dimensions: 48W x 36D

Note: Base dimensions may vary +/- 1/8"

* Also available in IMI ProCast™



Material to be stacked on pallets.

DRAIN FINISHES

Solid Cover	Code
Brushed Stainless Steel	SS
Ornamental (Slotted)	OSS
Decorative (Perforated)	DSS
Powder Coated	W, MB

COLOR & TRIM OPTIONS

Standard Color	Code
White	SW
Optional Color	Code
Cream	SC
Ivory	SI
Warm White	WW

Additional custom colors available.



Cast Marble Solutions

FEATURES

- Available in Left Hand and Right Hand version
- Fiberglass Flange
- 3" Wide Thresholds on Front
- Solid one-piece construction
- Pre-leveled, rests on subfloor
- Mold and mildew resistant
- Bacteria resistant
- "Grout-free" and non-porous
- Stain resistant and easy to clean
- Waterproof and leakproof

STANDARDS AND RATINGS

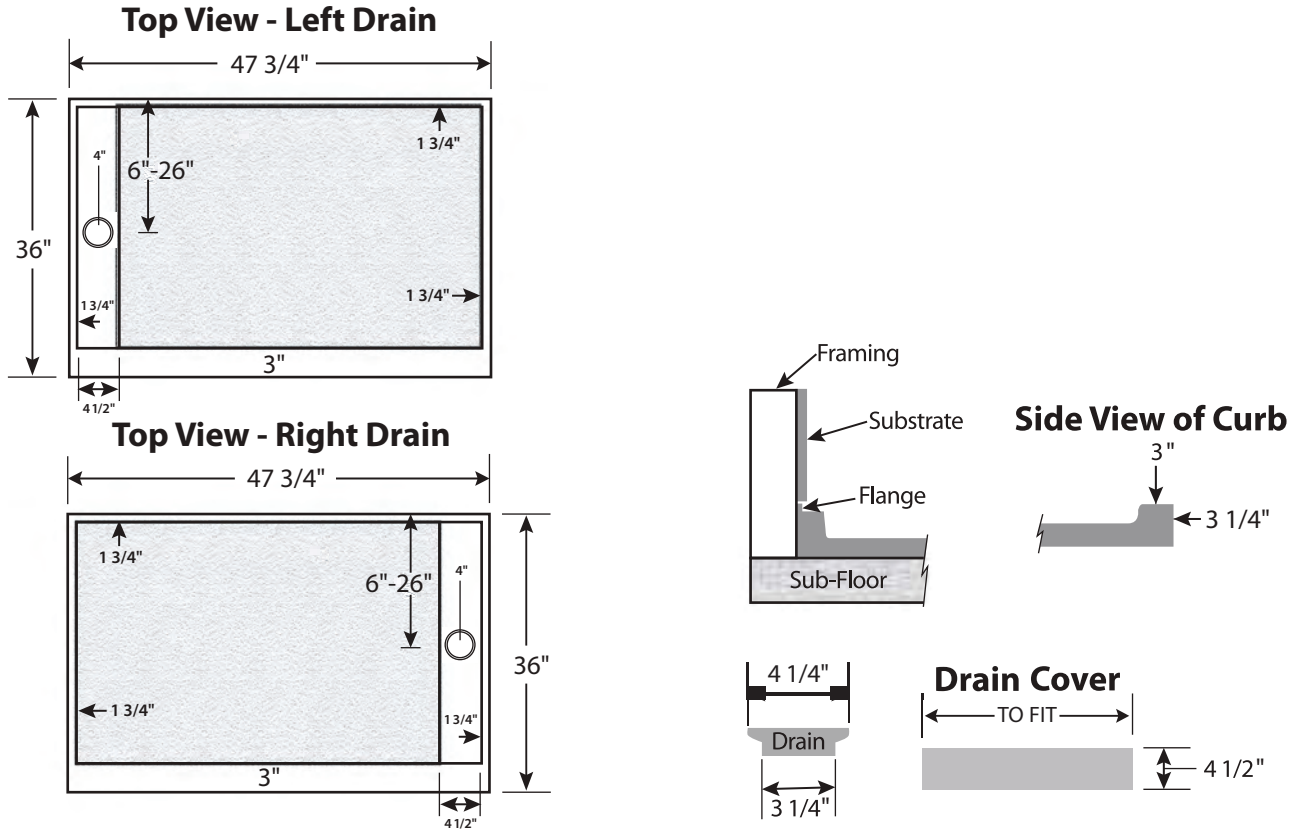
- Typical CSI Code: 22 42 23 (Div 22)
- ANSI
- ASTM (Fire Rating)
- MAS Certified Green

Code compliant when fully equipped and installed according to guidelines.



SB48x36-4TD-xH-LC

48 X 36 SHOWER BASE WITH 4" TRENCH DRAIN
IMI LITECAST™



FEATURES Dimensional Tolerance $\pm 1/8"$. Dimensions needed for site preparation should be measured from the unit. American Bath Group assumes no responsibility for preparatory work.

Type and Model #	Material	Shower Base	Pieces
Shower Base #SB48x36-4TD-xH-LC	Cast Marble	Anti-Slip/Textured Finish	1

DIMENSIONS

Specifications	inches
Shower Base Depth:	36
Shower Base Width:	47 3/4
Curb Height:	3
Curb Width:	3

Suggested Drains:



Solvent Weld type fitting similar to Oatey Part No. 42097



Compression type "No-Caulk" fitting similar to Oatey Part No. 42099

Rev. 12.16.20

SB48x36-10RCOD-xH-LC

inches

48 X 36 SHOWER BASE WITH REAR CORNER OFFSET DRAIN IMI LITECAST™

Exterior Dimensions: 48W x 36D

Note: Base dimensions may vary +/- 1/8"

* Also available in IMI ProCast™



Material to be stacked on pallets.

COLOR & TRIM OPTIONS

Standard Color	Code
White	SW

Optional Color	Code
Cream	SC
Ivory	SI
Warm White	WW

Additional custom colors available.

FEATURES

- Rear corner drain: left-hand or right-hand version
- 3 1/4" tall integral front curb
- 3" wide thresholds on front
- Solid one-piece construction
- Pre-leveled, rests on subfloor
- Mold and mildew resistant
- Bacteria resistant
- "Grout-free" and non-porous
- Stain resistant and easy to clean
- Waterproof and leakproof

STANDARDS AND RATINGS

- ANSI Z124.1.2
- 2005 Tested by NAHB
- ASTM 1028-96
Coefficient of friction test
(minimum rating of .67)
- Typical CSI Code: 22 42 23 (Div 22)
- ANSI
- ASTM (Fire Rating)
- MAS Certified Green

Code compliant when fully equipped and installed according to guidelines.

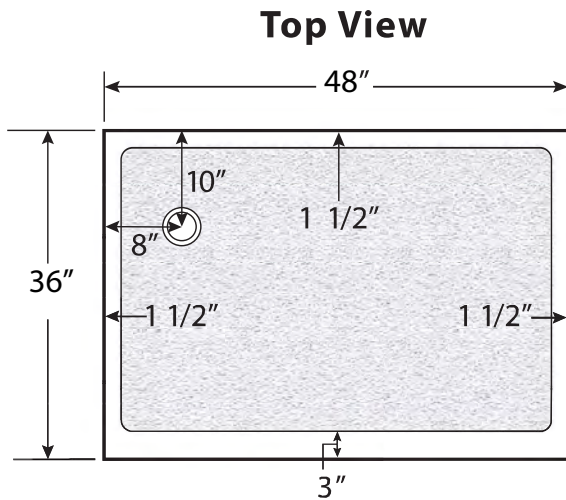


Cast Marble Solutions

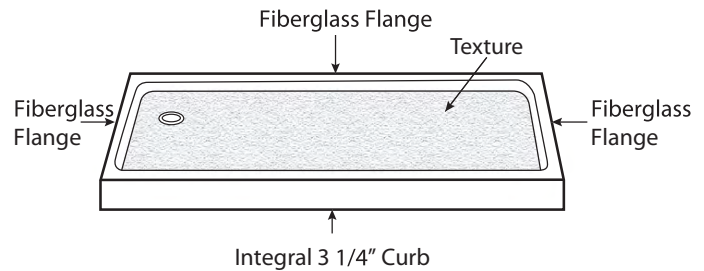


SB48x36-10RCOD-xH-LC

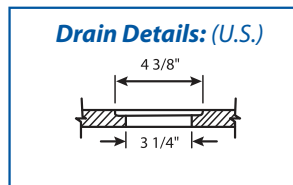
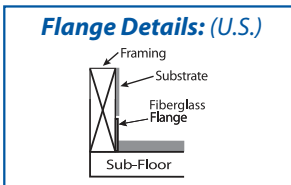
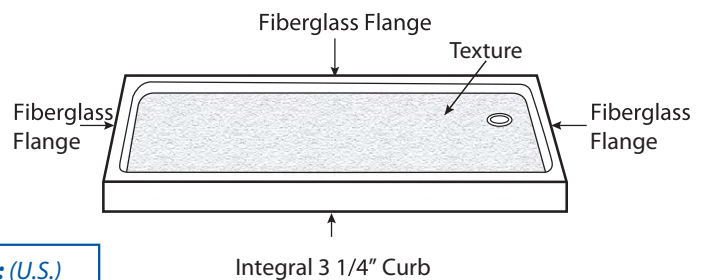
48 X 36 SHOWER BASE WITH REAR CORNER OFFSET DRAIN
IMI LITECAST™



Front View (LH Placement)



Front View (RH Placement)



FEATURES Dimensional Tolerance $\pm 1/4"$. Dimensions needed for site preparation should be measured from the unit. American Bath Group assumes no responsibility for preparatory work.

Type and Model #	Material	Shower Base	Pieces
Shower Base #SB48x36-10RCOD-xH-LC	Cast Marble	Anti-Slip/Textured Finish	1

DIMENSIONS

Specifications	inches
Shower Base Depth:	36
Shower Base Width:	48
Curb Height:	3 1/4

Suggested Drains:



Solvent Weld type fitting similar to Oatey Part No. 42097



Compression type "No-Caulk" fitting similar to Oatey Part No. 42099

Rev. 03.05.21

SB48x36-SSB-LC

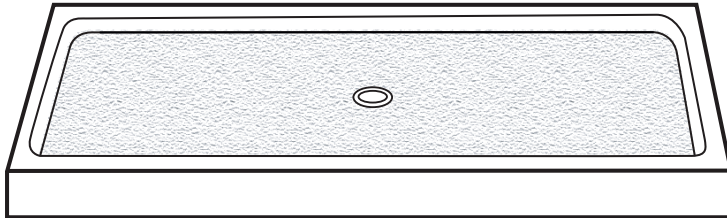
inches

48 X 36 STANDARD SHOWER BASE WITH CENTER DRAIN IMI LITECAST™

Exterior Dimensions: 48W x 36D

Note: Base dimensions may vary +/- 1/4"

* Also available in IMI ProCast™



Material to be stacked on pallets.

COLOR & TRIM OPTIONS

Standard Color	Code
White	SW

Optional Color	Code
Cream	SC
Ivory	SI
Warm White	WW

Additional custom colors available.



Cast Marble Solutions

FEATURES

- 3" wide x 2 3/4" tall curb
- Fiberglass flange
- Solid one-piece construction
- Pre-leveled, rests on subfloor
- Mold and mildew resistant
- Bacteria resistant
- "Grout-free" and non-porous
- Stain resistant and easy to clean
- Water proof and leak proof

STANDARDS AND RATINGS

- Typical CSI Code: 22 42 23 (Div 22)
- ANSI
- ASTM (Fire Rating)
- MAS Certified Green

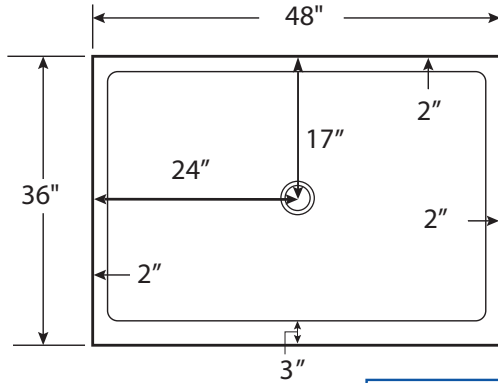
Code compliant when fully equipped and installed according to guidelines.



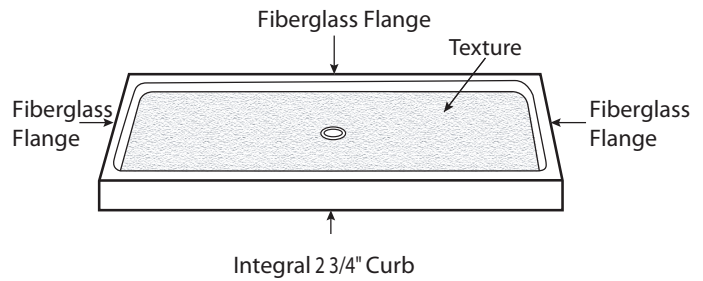
SB48x36-SSB-LC

48 X 36 STANDARD SHOWER BASE WITH CENTER DRAIN
IMI LITECAST™

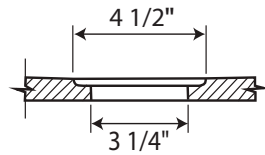
Top View



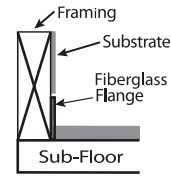
Front View



Drain Details: (U.S.)



Flange Details: (U.S.)





FEATURES Dimensional Tolerance $\pm 1/4$ ". Dimensions needed for site preparation should be measured from the unit. American Bath Group assumes no responsibility for preparatory work.

Type and Model #	Material	Shower Base	Pieces
Shower Base #SB48x36-SSB-LC	Cast Marble	Anti-Slip/Textured Finish	1

DIMENSIONS

Specifications	inches
Shower Base Depth:	36
Shower Base Width:	48
Curb Height:	2 3/4

SUGGESTED DRAINS

Image	Description
	Solvent Weld type fitting similar to Oatey Part No. 42097
	Compression type "No-Caulk" fitting similar to Oatey Part No. 42099

Rev. 08.16.21

SB48x42-SSB-LC

inches

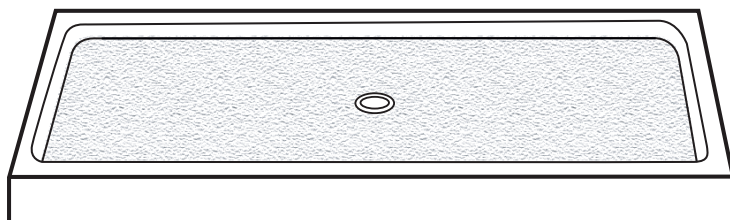
48 X 42 STANDARD SHOWER BASE WITH CENTER DRAIN

IMI LITECAST™

Exterior Dimensions: 48W x 42D

Note: Base dimensions may vary +/- 1/4"

* Also available in IMI ProCast™



FEATURES

- 3" wide x 2 3/4" tall curb
- Fiberglass flange
- Solid one-piece construction
- Pre-leveled, rests on subfloor
- Mold and mildew resistant
- Bacteria resistant
- "Grout-free" and non-porous
- Stain resistant and easy to clean
- Water proof and leak proof

STANDARDS AND RATINGS

- Typical CSI Code: 22 42 23 (Div 22)
- ANSI
- ASTM (Fire Rating)
- MAS Certified Green

Code compliant when fully equipped and installed according to guidelines.

Material to be stacked on pallets.

COLOR & TRIM OPTIONS

Standard Color	Code
----------------	------

White	SW
-------	----

Optional Color	Code
----------------	------

Cream	SC
Ivory	SI
Warm White	WW

Additional custom colors available.



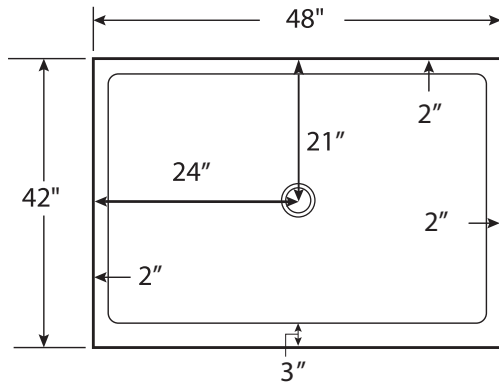
Cast Marble Solutions



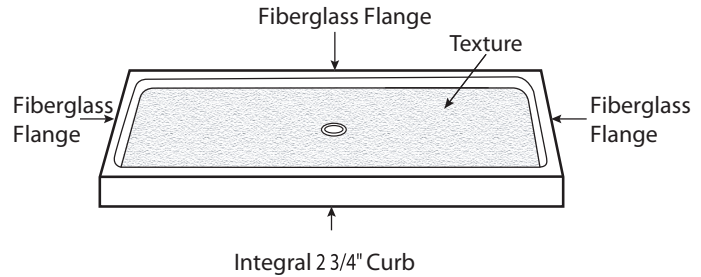
SB48x42-SSB-LC

48 X 42 STANDARD SHOWER BASE WITH CENTER DRAIN
IMI LITECAST™

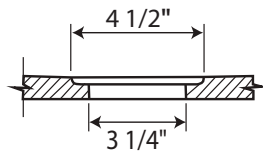
Top View



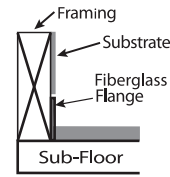
Front View



Drain Details: (U.S.)



Flange Details: (U.S.)





FEATURES Dimensional Tolerance $\pm 1/4"$. Dimensions needed for site preparation should be measured from the unit. American Bath Group assumes no responsibility for preparatory work.

Type and Model #	Material	Shower Base	Pieces
Shower Base #SB48x42-SSB-LC	Cast Marble	Anti-Slip/Textured Finish	1

DIMENSIONS

Specifications	inches
Shower Base Depth:	42
Shower Base Width:	48
Curb Height:	2 3/4

SUGGESTED DRAINS

Image	Description
	Solvent Weld type fitting similar to Oatey Part No. 42097
	Compression type "No-Caulk" fitting similar to Oatey Part No. 42099

Rev. 08.16.21



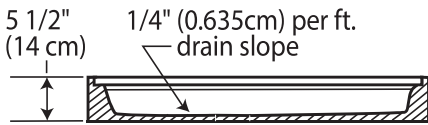
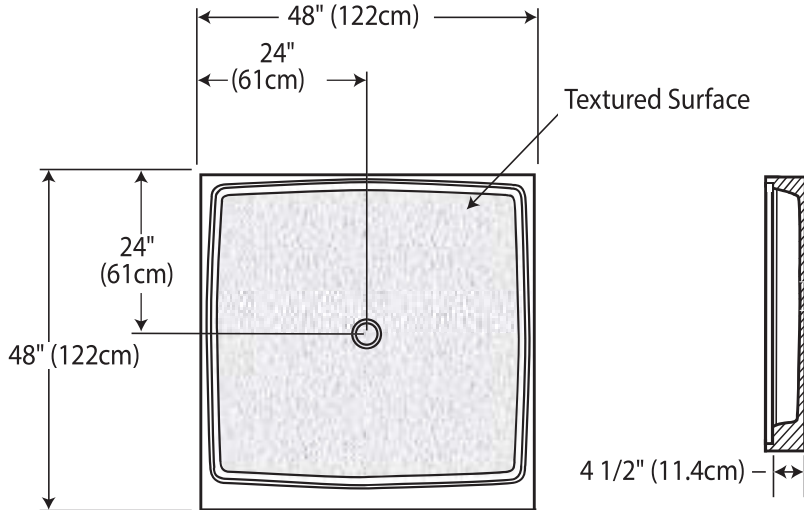
Cast Marble Solutions for Your Showers

48" x 48" Standard Shower Base

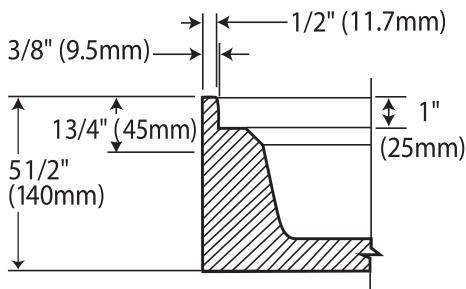
SB48x48-SSB-LC

TECHNICAL SPECIFICATIONS

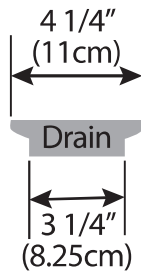
Est. Weight: 100 lbs (45kg) IMI LiteCast™



Flange Details: (U.S.)



Drain Details: (U.S.)



Standard Features:

- 4" (10cm) Wide threshold
- Solid one-piece construction
- Pre-leveled, rests on subfloor
- Mold and mildew resistant
- Bacteria resistant
- "Grout-free" and non-porous
- Stain resistant and easy to clean
- Waterproof and leakproof
- Integral flange

Specifications:

- Size: 48" x 48" Size (122cm x 122cm)
- Drain Location: Center of drain measures 24" (61cm) from backwall

Suggested Drains:

- Solvent Weld type fitting similar to Oatey Part No. 42097
- Compression type "No-Caulk" fitting similar to Oatey Part No. 42099



Note: Base dimensions may vary +/- 1/8"

* Also available in IMI ProCast™

Our products comply with one or more of the following: IAPMO, ANSI, HUD, NAHB, NHQ

Typical CSI Codes: 22 42 23 (Div 22)

Revised: 2019.01.02

© 2019 Copyright IMI International Marble Industries, Inc.



SB50x38-SSB-FHA-LC

inches

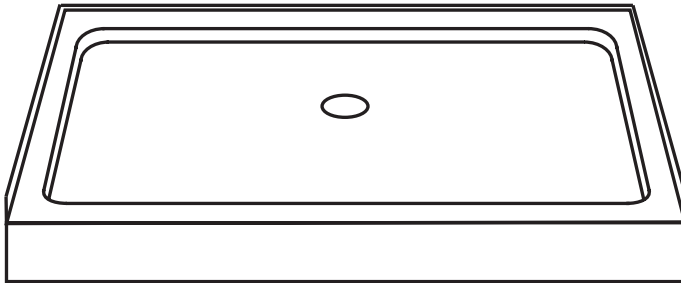
50 X 38 SHOWER BASE WITH CENTER DRAIN IMI LITECAST™

Exterior Dimensions: 49 ¾W x 37 ¾D

Interior Dimensions: 48W x 36D

Note: Base dimensions may vary +/- ¼"

* Also available in IMI ProCast™



FEATURES

- 3" x 3" high integral curb
- Fiberglass flange attached at factory
- Solid one-piece construction
- Pre-leveled, rests on subfloor
- Mold and mildew resistant
- Bacteria resistant
- "Grout-free" and non-porous
- Stain resistant and easy to clean
- Water proof and leak proof

STANDARDS AND RATINGS

- Typical CSI Code: 22 42 23 (Div 22)
- ANSI-B
- ASTM (Fire Rating)
- DCOF Coefficient Rating: 0.42 or greater
- MAS Certified Green

Code compliant when fully equipped and installed according to guidelines.

Material to be stacked on pallets.

COLOR & TRIM OPTIONS

Standard Color	Code
White	SW

Optional Color	Code
Cream	SC
Ivory	SI
Warm White	WW

Additional custom colors available.

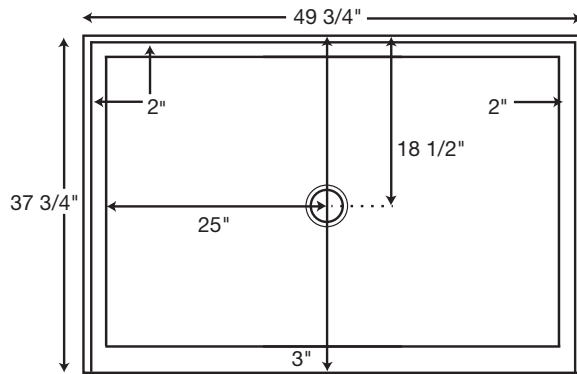


Cast Marble Solutions

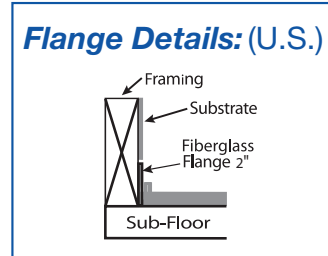
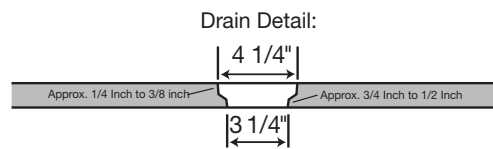
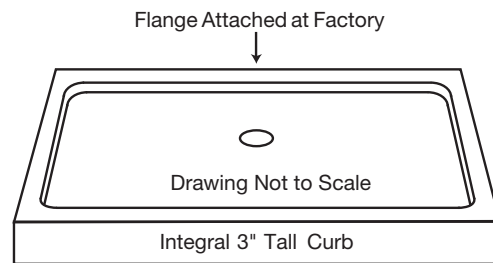


SB50x38-SSB-FHA-LC

50 X 38 SHOWER BASE WITH CENTER DRAIN
IMI LITECAST™



48 x 36 I.D. minimum



FEATURES Dimensional Tolerance $\pm 1/4"$. Dimensions needed for site preparation should be measured from the unit. American Bath Group assumes no responsibility for preparatory work.

Type and Model #	Material	Shower Base	Pieces
Shower Base #SB50x38-SSB-FHA-LC	Cast Marble	Anti-Slip/Textured Finish	1

DIMENSIONS

Specifications	inches
Shower Base Depth:	37 3/4
Shower Base Width:	49 3/4
Curb Height:	3

SUGGESTED DRAINS

Image	Description
	Solvent Weld type fitting similar to Oatey Part No. 42097
	Compression type "No-Caulk" fitting similar to Oatey Part No. 42099

Rev. 08.10.21

SB51x37-SSB-LC

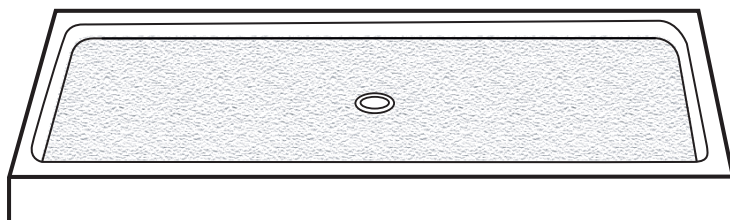
inches

51 X 37 STANDARD SHOWER BASE WITH CENTER DRAIN IMI LITECAST™

Exterior Dimensions: 51W x 37D

Note: Base dimensions may vary +/- 1/8"

* Also available in IMI ProCast™



FEATURES

- Solid one-piece construction
- Pre-leveled, rests on subfloor
- Mold and mildew resistant
- Bacteria resistant
- “Grout-free” and non-porous
- Stain resistant and easy to clean
- Water proof and leak proof

STANDARDS AND RATINGS

- Typical CSI Code: 22 42 23 (Div 22)
- ANSI
- ASTM (Fire Rating)
- MAS Certified Green

Code compliant when fully equipped and installed according to guidelines.

Material to be stacked on pallets.

COLOR & TRIM OPTIONS

Standard Color	Code
----------------	------

White	SW
-------	----

Optional Color	Code
----------------	------

Cream	SC
Ivory	SI
Warm White	WW

Additional custom colors available.



Cast Marble Solutions

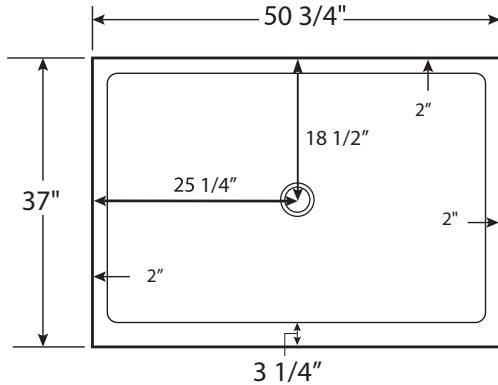


SB51x37-SSB-LC

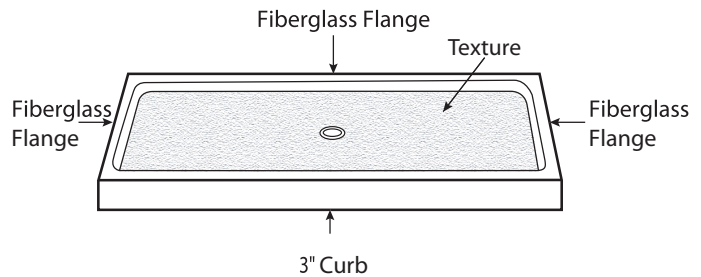
51 X 37 STANDARD SHOWER BASE WITH CENTER DRAIN

IMI LITECAST™

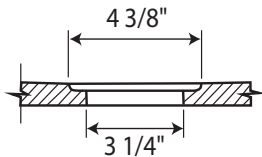
Top View



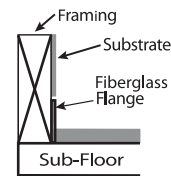
Front View



Drain Details: (U.S.)



Flange Details: (U.S.)





FEATURES Dimensional Tolerance $\pm 1/4$ ". Dimensions needed for site preparation should be measured from the unit. American Bath Group assumes no responsibility for preparatory work.

Type and Model #	Material	Shower Base	Pieces
Shower Base #SB51x37-SSB-LC	Cast Marble	Anti-Slip/Textured Finish	1

DIMENSIONS

Specifications	inches
Shower Base Depth:	37
Shower Base Width:	50 3/4
Curb Height:	3

SUGGESTED DRAINS

Image	Description
	Solvent Weld type fitting similar to Oatey Part No. 42097
	Compression type "No-Caulk" fitting similar to Oatey Part No. 42099

Rev. 04.12.21

SB51x38-SSB-LC

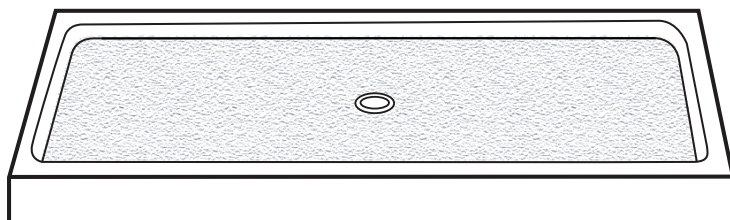
inches

51 X 38 STANDARD SHOWER BASE WITH CENTER DRAIN IMI LITECAST™

Exterior Dimensions: 51W x 38D

Note: Base dimensions may vary +/- 1/4"

* Also available in IMI ProCast™



FEATURES

- Solid one-piece construction
- Pre-leveled, rests on subfloor
- Mold and mildew resistant
- Bacteria resistant
- "Grout-free" and non-porous
- Stain resistant and easy to clean
- Water proof and leak proof

STANDARDS AND RATINGS

- Typical CSI Code: 22 42 23 (Div 22)
- ANSI
- ASTM (Fire Rating)
- MAS Certified Green

Code compliant when fully equipped and installed according to guidelines.

Material to be stacked on pallets.

COLOR & TRIM OPTIONS

Standard Color	Code
----------------	------

White	SW
-------	----

Optional Color	Code
----------------	------

Cream	SC
Ivory	SI
Warm White	WW

Additional custom colors available.



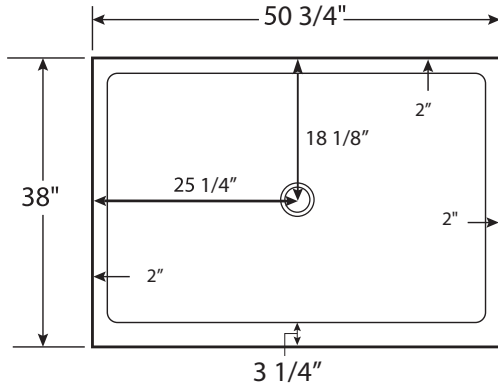
Cast Marble Solutions



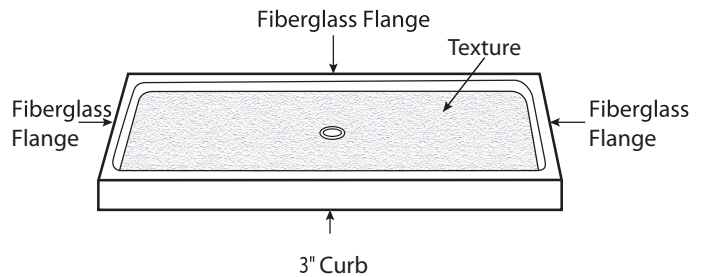
SB51x38-SSB-LC

51 X 38 STANDARD SHOWER BASE WITH CENTER DRAIN
IMI LITECAST™

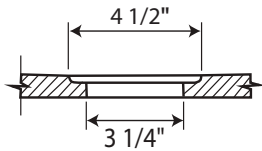
Top View



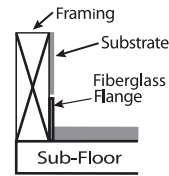
Front View



Drain Details: (U.S.)



Flange Details: (U.S.)





FEATURES Dimensional Tolerance $\pm 1/4$ ". Dimensions needed for site preparation should be measured from the unit. American Bath Group assumes no responsibility for preparatory work.

Type and Model #	Material	Shower Base	Pieces
Shower Base #SB51x38-SSB-LC	Cast Marble	Anti-Slip/Textured Finish	1

DIMENSIONS

Specifications	inches
Shower Base Depth:	38
Shower Base Width:	50 3/4
Curb Height:	3

SUGGESTED DRAINS

Image	Description
	Solvent Weld type fitting similar to Oatey Part No. 42097
	Compression type "No-Caulk" fitting similar to Oatey Part No. 42099

Rev. 08.16.21

SB54x30U-90D-xH-LC

inches

54 X 30 SHOWER BASE WITH STANDARD LH OR RH OFFSET DRAIN IMI LITECAST™

Exterior Dimensions: 54W x 30D

Note: Base dimensions may vary +/- 1/2"

* Also available in IMI ProCast™



Material to be stacked on pallets.

COLOR & TRIM OPTIONS

Standard Color	Code
White	SW

Optional Color	Code
Cream	SC
Ivory	SI
Warm White	WW

Additional custom colors available.



Cast Marble Solutions



FEATURES

- Available in left-hand or right-hand version
- Fiberglass flange
- 3" wide thresholds on front and back
- Solid one-piece construction
- Pre-leveled, rests on subfloor
- Mold and mildew resistant
- Bacteria resistant
- "Grout-free" and non-porous
- Stain resistant and easy to clean
- Waterproof and leakproof

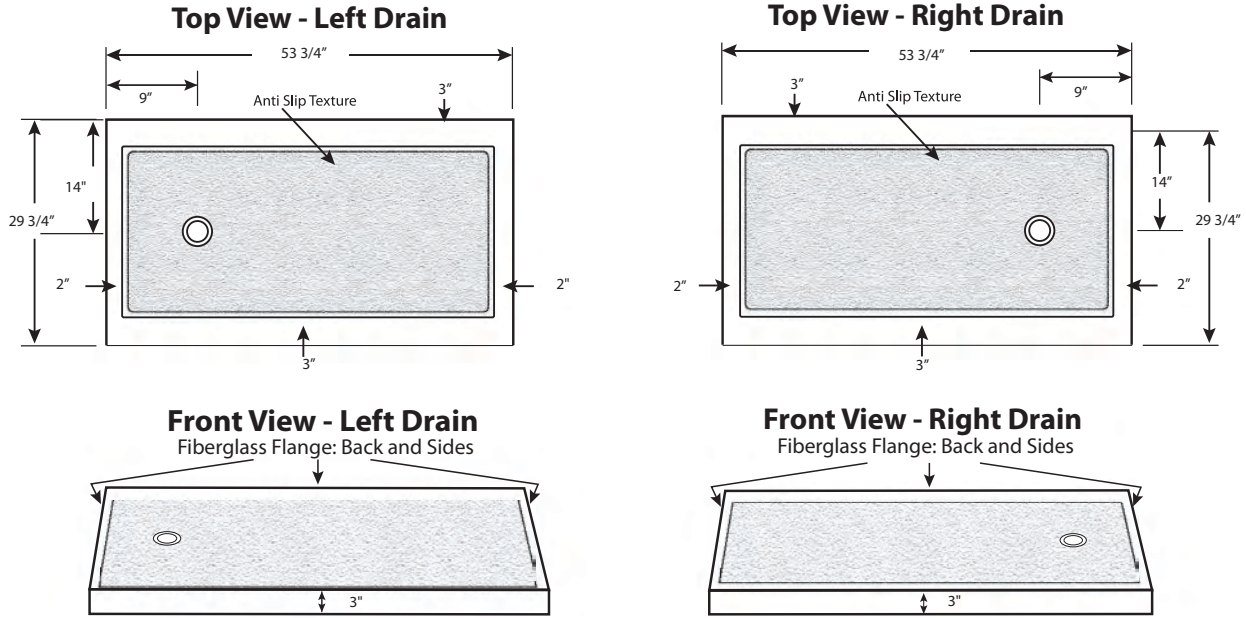
STANDARDS AND RATINGS

- ANSI Z124.1.2
- 2005 Tested by NAHB
- ASTM 1028-96
Coefficient of friction test
(minimum rating of .67)
- Typical CSI Code: 22 42 23 (Div 22)
- ANSI
- ASTM (Fire Rating)
- MAS Certified Green

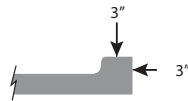
Code compliant when fully equipped and installed according to guidelines.

SB54x30U-90D-xH-LC

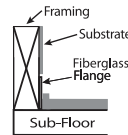
54 X 30 SHOWER BASE WITH STANDARD LH OR RH OFFSET DRAIN
IMI LITECAST™



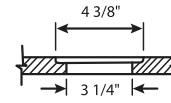
Side View of Curb



Flange Details: (U.S.)



Drain Details: (U.S.)



FEATURES Dimensional Tolerance ± ". Dimensions needed for site preparation should be measured from the unit. American Bath Group assumes no responsibility for preparatory work.

Type and Model #	Material	Shower Base	Pieces
Shower Base #SB54x30U-90D-xH-LC	Cast Marble	Anti-Slip/Textured Finish	1

DIMENSIONS

Specifications	inches
Shower Base Depth:	29 3/4
Shower Base Width:	53 3/4
Curb Height:	3

Suggested Drains:



Solvent Weld type fitting similar to Oatey Part No. 42097



Compression type "No-Caulk" fitting similar to Oatey Part No. 42099

Rev. 06.09.21

SB54x34-8.5TD-xH-LC

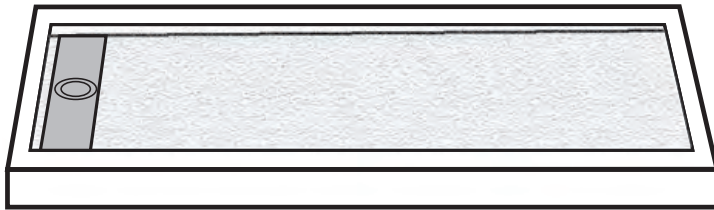
inches

54 X 34 SHOWER BASE WITH 8 ½" TRENCH DRAIN IMI LITECAST™

Exterior Dimensions: 54W x 34D

Note: Base dimensions may vary +/- ¼"

* Also available in IMI ProCast™



FEATURES

- Available in Left Hand and Right Hand version
- Fiberglass Flange
- 3" Wide Thresholds on Front
- Solid one-piece construction
- Pre-leveled, rests on subfloor
- Mold and mildew resistant
- Bacteria resistant
- "Grout-free" and non-porous
- Stain resistant and easy to clean
- Waterproof and leakproof

STANDARDS AND RATINGS

- Typical CSI Code: 22 42 23 (Div 22)
- ANSI
- ASTM (Fire Rating)
- MAS Certified Green

Code compliant when fully equipped and installed according to guidelines.

Material to be stacked on pallets.

DRAIN FINISHES

Solid Cover	Code
Brushed Stainless Steel	SS
Ornamental (Slotted)	OSS
Decorative (Perforated)	DSS
Powder Coated	W, MB

COLOR & TRIM OPTIONS

Standard Color	Code
White	SW

Optional Color	Code
Cream	SC
Ivory	SI
Warm White	WW

Additional custom colors available.

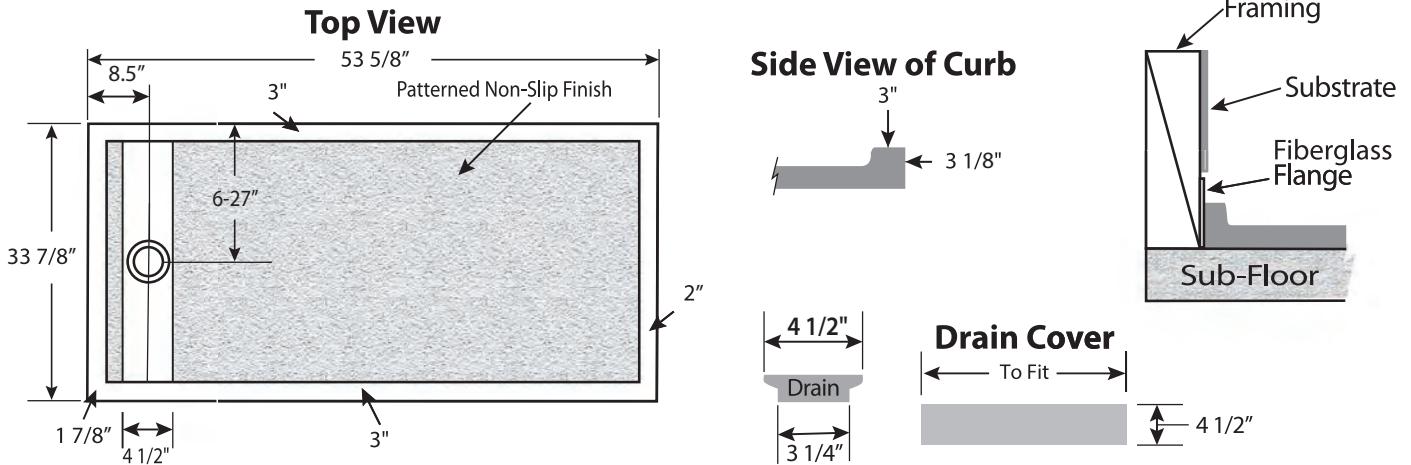


Cast Marble Solutions



SB54x34-8.5TD-xH-LC

54 X 34 SHOWER BASE WITH 4" TRENCH DRAIN
IMI LITECAST™



FEATURES Dimensional Tolerance $\pm 1/4"$. Dimensions needed for site preparation should be measured from the unit. American Bath Group assumes no responsibility for preparatory work.

Type and Model #	Material	Shower Base	Pieces
Shower Base #SB54x34-8.5TD-xH-LC	Cast Marble	Anti-Slip/Textured Finish	1

DIMENSIONS

Specifications	inches
Shower Base Depth:	33 7/8"
Shower Base Width:	53 5/8"
Curb Height:	3"
Curb Width:	3"

Suggested Drains:



Solvent Weld type fitting similar to Oatey Part No. 42097



Compression type "No-Caulk" fitting similar to Oatey Part No. 42099

SB54x34-SSB-LC

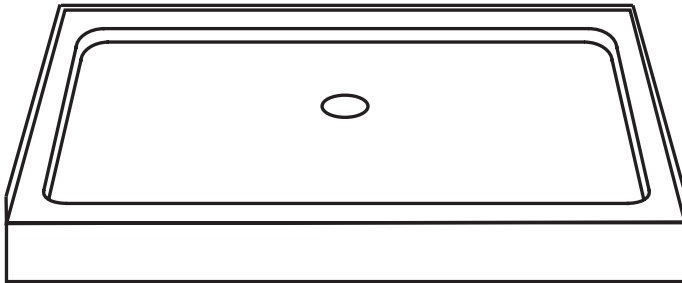
inches

54 X 34 SHOWER BASE WITH CENTER DRAIN IMI LITECAST™

Exterior Dimensions: 54W x 34D

Note: Base dimensions may vary +/- 1/8"

* Also available in IMI ProCast™



Material to be stacked on pallets.

COLOR & TRIM OPTIONS

Standard Color	Code
White	SW

Optional Color	Code
Cream	SC
Ivory	SI
Warm White	WW

Additional custom colors available.



Cast Marble Solutions

FEATURES

- 3" x 4" high integral curb
- Fiberglass flange attached at factory
- Solid one-piece construction
- Pre-leveled, rests on subfloor
- Mold and mildew resistant
- Bacteria resistant
- "Grout-free" and non-porous
- Stain resistant and easy to clean
- Water proof and leak proof

STANDARDS AND RATINGS

- Typical CSI Code: 22 42 23 (Div 22)
- ANSI
- ASTM (Fire Rating)
- MAS Certified Green

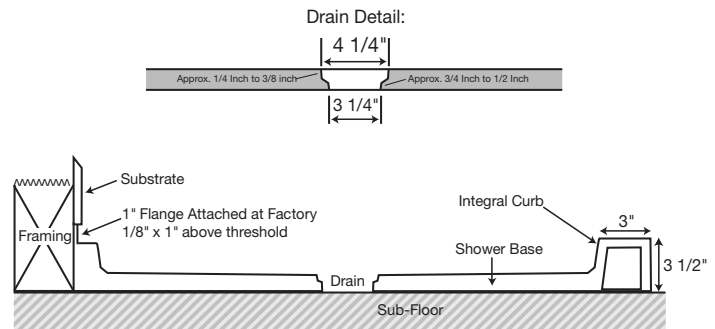
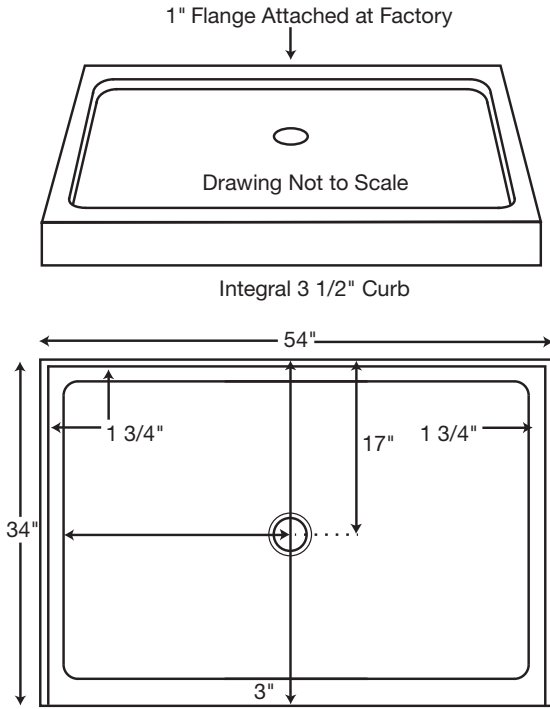
Code compliant when fully equipped and installed according to guidelines.



SB54x34-SSB-LC

54 X 34 SHOWER BASE WITH CENTER DRAIN

IMI LITECAST™



Drain not included. Finished product dimensions may vary +/- 1/8" from drawing.



FEATURES Dimensional Tolerance $\pm 1/8"$. Dimensions needed for site preparation should be measured from the unit. American Bath Group assumes no responsibility for preparatory work.

Type and Model #	Material	Shower Base	Pieces
Shower Base #SB54x34-SSB-LC	Cast Marble	Anti-Slip/Textured Finish	1

DIMENSIONS

Specifications	inches
Shower Base Depth:	34
Shower Base Width:	54
Curb Height:	3 1/2

SUGGESTED DRAINS

Image	Description
	Solvent Weld type fitting similar to Oatey Part No. 42097
	Compression type "No-Caulk" fitting similar to Oatey Part No. 42099

Rev. 04.12.21

SB54x36-SSB-LC

inches

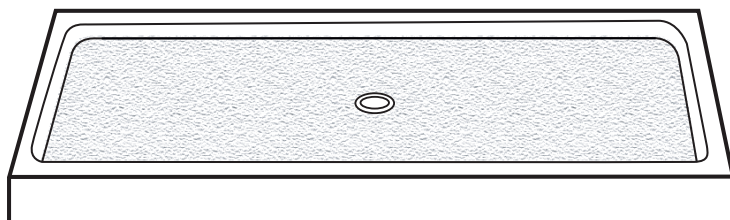
54 X 36 STANDARD SHOWER BASE WITH CENTER DRAIN

IMI LITECAST™

Exterior Dimensions: 54W x 36D

Note: Base dimensions may vary +/- 1/4"

* Also available in IMI ProCast™



FEATURES

- Solid one-piece construction
- Pre-leveled, rests on subfloor
- Mold and mildew resistant
- Bacteria resistant
- "Grout-free" and non-porous
- Stain resistant and easy to clean
- Water proof and leak proof

STANDARDS AND RATINGS

- Typical CSI Code: 22 42 23 (Div 22)
- ANSI
- ASTM (Fire Rating)
- MAS Certified Green

Code compliant when fully equipped and installed according to guidelines.

Material to be stacked on pallets.

COLOR & TRIM OPTIONS

Standard Color	Code
----------------	------

White	SW
-------	----

Optional Color	Code
----------------	------

Cream	SC
Ivory	SI
Warm White	WW

Additional custom colors available.



Cast Marble Solutions

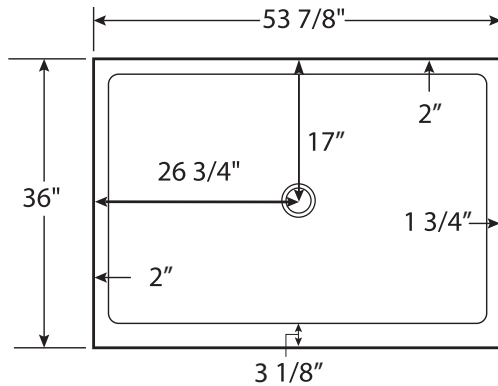


SB54x36-SSB-LC

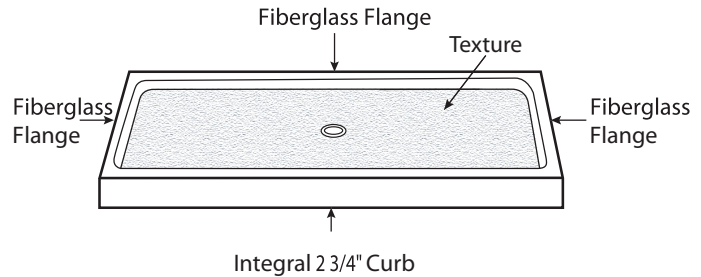
54 X 36 STANDARD SHOWER BASE WITH CENTER DRAIN

IMI LITECAST™

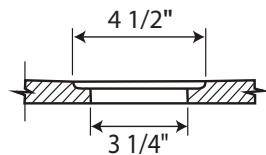
Top View



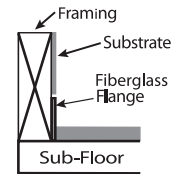
Front View



Drain Details: (U.S.)



Flange Details: (U.S.)





FEATURES Dimensional Tolerance $\pm 1/4$ ". Dimensions needed for site preparation should be measured from the unit. American Bath Group assumes no responsibility for preparatory work.

Type and Model #	Material	Shower Base	Pieces
Shower Base #SB54x36-SSB-LC	Cast Marble	Anti-Slip/Textured Finish	1

DIMENSIONS

Specifications	inches
Shower Base Depth:	36
Shower Base Width:	53 7/8
Curb Height:	2 3/4

SUGGESTED DRAINS

Image	Description
	Solvent Weld type fitting similar to Oatey Part No. 42097
	Compression type "No-Caulk" fitting similar to Oatey Part No. 42099

Rev. 08.16.21

SB58x35-4TD-xH-LC

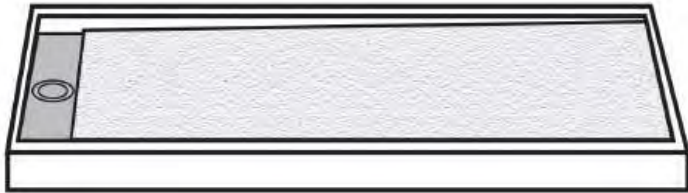
inches

58 X 35 SHOWER BASE WITH 4" TRENCH DRAIN IMI LITECAST™

Exterior Dimensions: 58W x 35D

Note: Base dimensions may vary +/- 1/4"

* Also available in IMI ProCast™



FEATURES

- Available in Left Hand and Right Hand version
- Fiberglass Flange
- 3" Wide Thresholds on Front
- Solid one-piece construction
- Pre-leveled, rests on subfloor
- Mold and mildew resistant
- Bacteria resistant
- "Grout-free" and non-porous
- Stain resistant and easy to clean
- Waterproof and leakproof

STANDARDS AND RATINGS

- Typical CSI Code: 22 42 23 (Div 22)
- ANSI
- ASTM (Fire Rating)
- MAS Certified Green

Code compliant when fully equipped and installed according to guidelines.

Material to be stacked on pallets.

DRAIN FINISHES

Solid Cover	Code
Brushed Stainless Steel	SS
Ornamental (Slotted)	OSS
Decorative (Perforated)	DSS
Powder Coated	W, MB

COLOR & TRIM OPTIONS

Standard Color	Code
White	SW
Optional Color	Code
Cream	SC
Ivory	SI
Warm White	WW

Additional custom colors available.

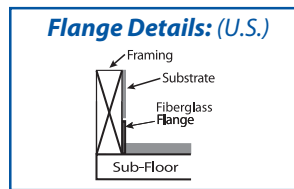
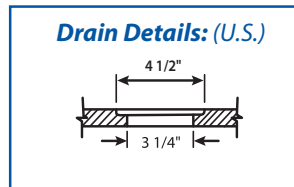
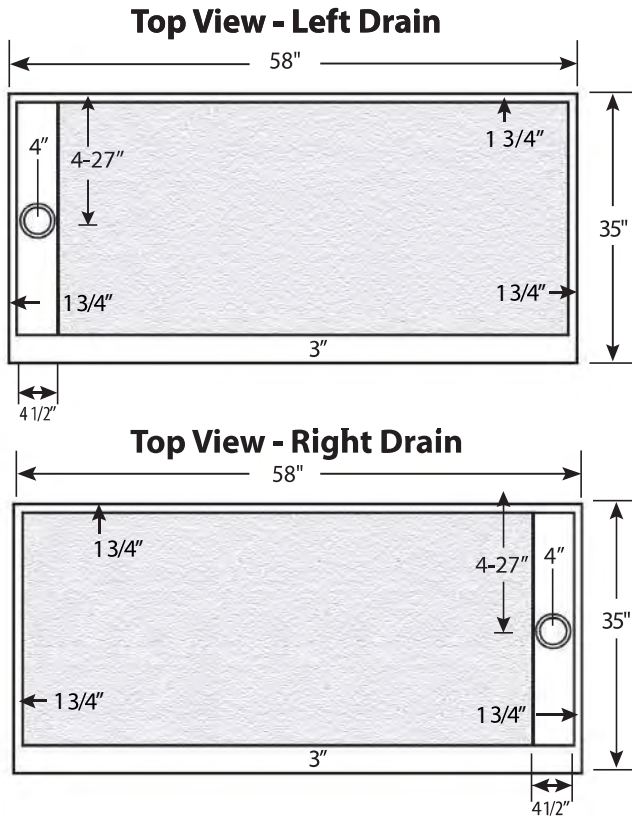


Cast Marble Solutions

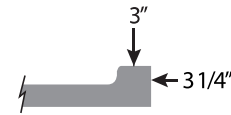


SB58x35-4TD-xH-LC

58 X 35 SHOWER BASE WITH 4" TRENCH DRAIN
IMI LITECAST™



Side View of Curb



Drain Cover



FEATURES Dimensional Tolerance $\pm 1/4"$. Dimensions needed for site preparation should be measured from the unit. American Bath Group assumes no responsibility for preparatory work.

Type and Model #	Material	Shower Base	Pieces
Shower Base #SB58x35-4TD-xH-LC	Cast Marble	Anti-Slip/Textured Finish	1

DIMENSIONS

Specifications	inches
Shower Base Depth:	35
Shower Base Width:	58
Curb Height:	3
Curb Width:	3

Suggested Drains:



Solvent Weld type fitting similar to Oatey Part No. 42097



Compression type "No-Caulk" fitting similar to Oatey Part No. 42099

SB60x30-8TD-xH-LC

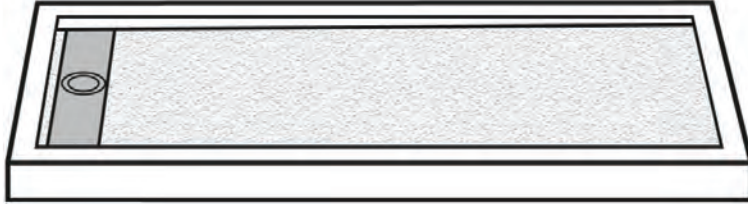
inches

60 X 30 SHOWER BASE WITH 8" TRENCH DRAIN IMI LITECAST™

Exterior Dimensions: 60W x 30D

Note: Base dimensions may vary +/- 1/4"

* Also available in IMI ProCast™



FEATURES

- Available in Left Hand and Right Hand version
- Fiberglass flange
- 2" Wide thresholds on back and sides
- Solid one-piece construction
- Pre-leveled, rests on subfloor
- Mold and mildew resistant
- Bacteria resistant
- "Grout-free" and non-porous
- Stain resistant and easy to clean
- Waterproof and leakproof

STANDARDS AND RATINGS

- Typical CSI Code: 22 42 23 (Div 22)
- ANSI
- ASTM (Fire Rating)
- MAS Certified Green

Code compliant when fully equipped and installed according to guidelines.

Material to be stacked on pallets.

DRAIN FINISHES

Solid Cover	Code
Brushed Stainless Steel	SS
Ornamental (Slotted)	OSS
Decorative (Perforated)	DSS
Powder Coated	W, MB

COLOR & TRIM OPTIONS

Standard Color	Code
White	SW
Optional Color	Code
Cream	SC
Ivory	SI
Warm White	WW

Additional custom colors available.

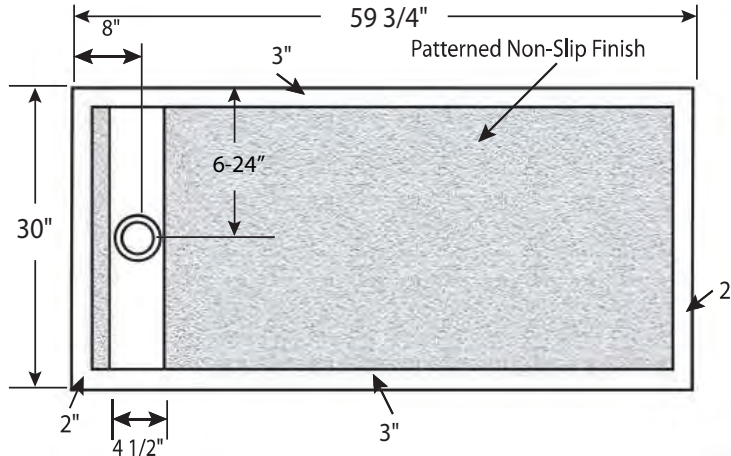


Cast Marble Solutions

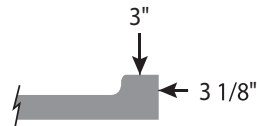


SB60x30-8TD-xH-LC

60 X 30 SHOWER BASE WITH 8" TRENCH DRAIN
IMI LITECAST™



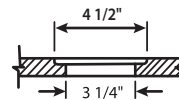
Side View of Curb



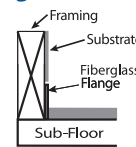
Drain Cover



Drain Details: (U.S.)



Flange Details: (U.S.)



FEATURES Dimensional Tolerance $\pm 1/4"$. Dimensions needed for site preparation should be measured from the unit. American Bath Group assumes no responsibility for preparatory work.

Type and Model #	Material	Shower Base	Pieces
Shower Base #SB60x30-8TD-xH-LC	Cast Marble	Anti-Slip/Textured Finish	1

DIMENSIONS

Specifications	inches
Shower Base Depth:	30
Shower Base Width:	59 3/4
Curb Height:	3 1/8
Curb Width:	3

Suggested Drains:



Solvent Weld type fitting similar to Oatey Part No. 42097



Compression type "No-Caulk" fitting similar to Oatey Part No. 42099

Rev. 08.16.21

SB60x30-LP-8.5TD-xH-LC

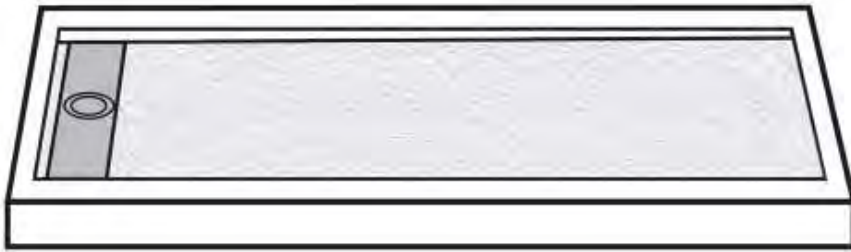
inches

60 X 30 ADA ROLL-IN LH OR RH SHOWER BASE
WITH 8.5" LOW PROFILE TRENCH DRAIN
IMI LITECAST™

Exterior Dimensions: 60W x 30D

Note: Base dimensions may vary +/- 1/4"

* Also available in IMI ProCast™



FEATURES

- Fiberglass Flange
- Left or right drain
- Pre-sloped to drain
- Solid one-piece construction
- Pre-leveled, rests on subfloor
- Mold and mildew resistant
- Bacteria resistant
- "Grout-free" and non-porous
- Stain resistant and easy to clean
- Waterproof and leakproof

STANDARDS AND RATINGS

- Typical CSI Code: 22 42 23 (Div 22)
- ANSI
- ASTM (Fire Rating)
- MAS Certified Green

Code compliant when fully equipped and installed according to guidelines.

Material to be stacked on pallets.

DRAIN FINISHES

Solid Cover	Code
Brushed Stainless Steel	SS
Ornamental (Slotted)	OSS
Decorative (Perforated)	DSS
Powder Coated	W, MB

COLOR & TRIM OPTIONS

Standard Color	Code
White	SW

Optional Color	Code
Cream	SC
Ivory	SI
Warm White	WW

Additional custom colors available.



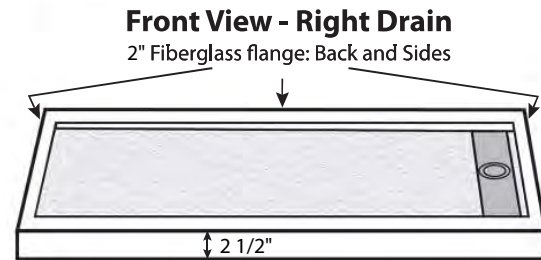
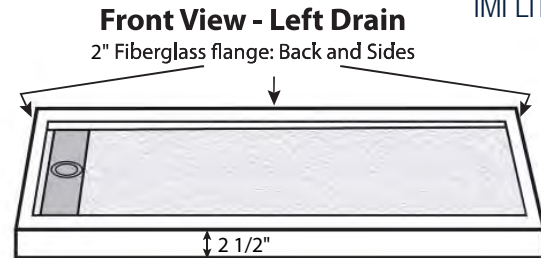
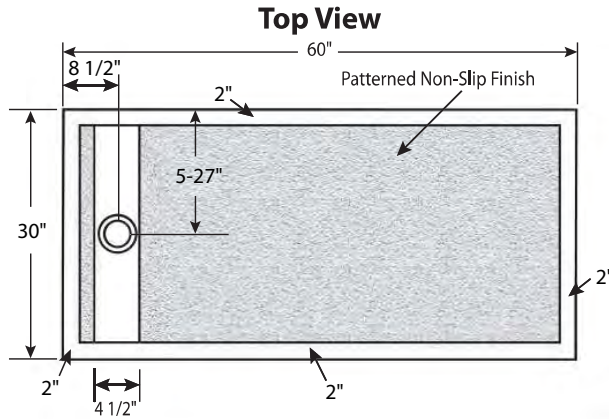
Cast Marble Solutions



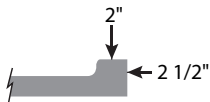
SB60x30-LP-8.5TD-xH-LC

60 X 30 ADA ROLL-IN LH OR RH SHOWER BASE
WITH 8.5" LOW PROFILE TRENCH DRAIN

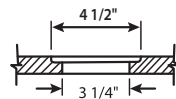
IMI LITECAST™



Side View of Curb



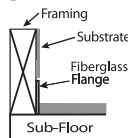
Drain Details: (U.S.)



Drain Cover



Flange Details: (U.S.)



FEATURES Dimensional Tolerance $\pm 1/4$ ". Dimensions needed for site preparation should be measured from the unit. American Bath Group assumes no responsibility for preparatory work.

Type and Model #	Material	Shower Base	Pieces
Shower Base #SB60x30-LP-8.5TD-xH-LC	Cast Marble	Anti-Slip/Textured Finish	1

DIMENSIONS

Specifications	inches
Shower Base Depth:	30
Shower Base Width:	60
Curb Height:	2 1/2
Curb Width:	2

Suggested Drains:



Solvent Weld type fitting similar to Oatey Part No. 42097



Compression type "No-Caulk" fitting similar to Oatey Part No. 42099

SB60x30-8.50D-xH-LC

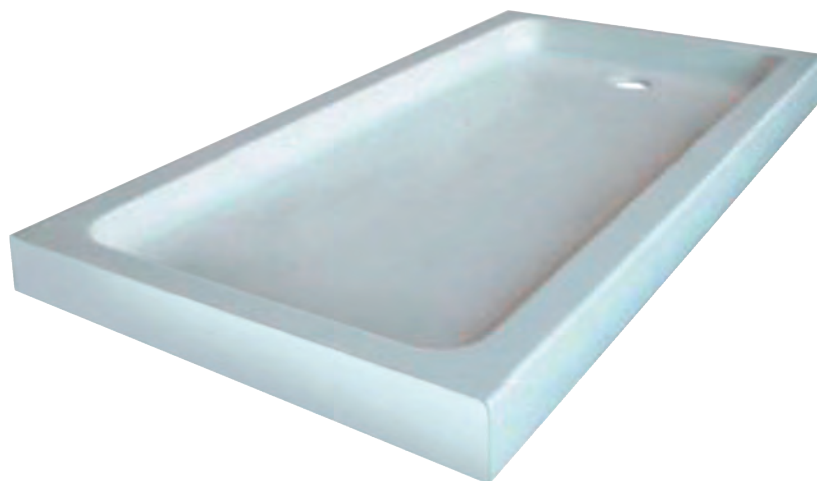
inches

60 X 30 STANDARD OFFSET LH & RH SHOWER BASE CAST MARBLE

Exterior Dimensions: 59 1/2" W x 29 3/4" D

Note: Base dimensions may vary +/- 1/8"

* Also available in IMI ProCast™



FEATURES

- Available in Left Hand and Right Hand version
- Designed for tub replacements
- Integral curb
- 3" wide thresholds on front
- Fiberglass flange
- Solid one-piece construction
- Pre-leveled, rests on subfloor
- Mold and mildew resistant
- Bacteria resistant
- "Grout-free" and non-porous
- Stain resistant and easy to clean
- Waterproof and leakproof

STANDARDS AND RATINGS

- Typical CSI Code: 22 42 23 (Div 22)
- ANSI
- ASTM (Fire Rating)
- MAS Certified Green

Code compliant when fully equipped and installed according to guidelines.

*See terms and conditions for details.

Material to be stacked on pallets.

COLOR & TRIM OPTIONS

Standard Color	Code
----------------	------

White	SW
-------	----

Optional Color	Code
----------------	------

Cream	SC
Ivory	SI
Warm White	WW

Additional custom colors available.

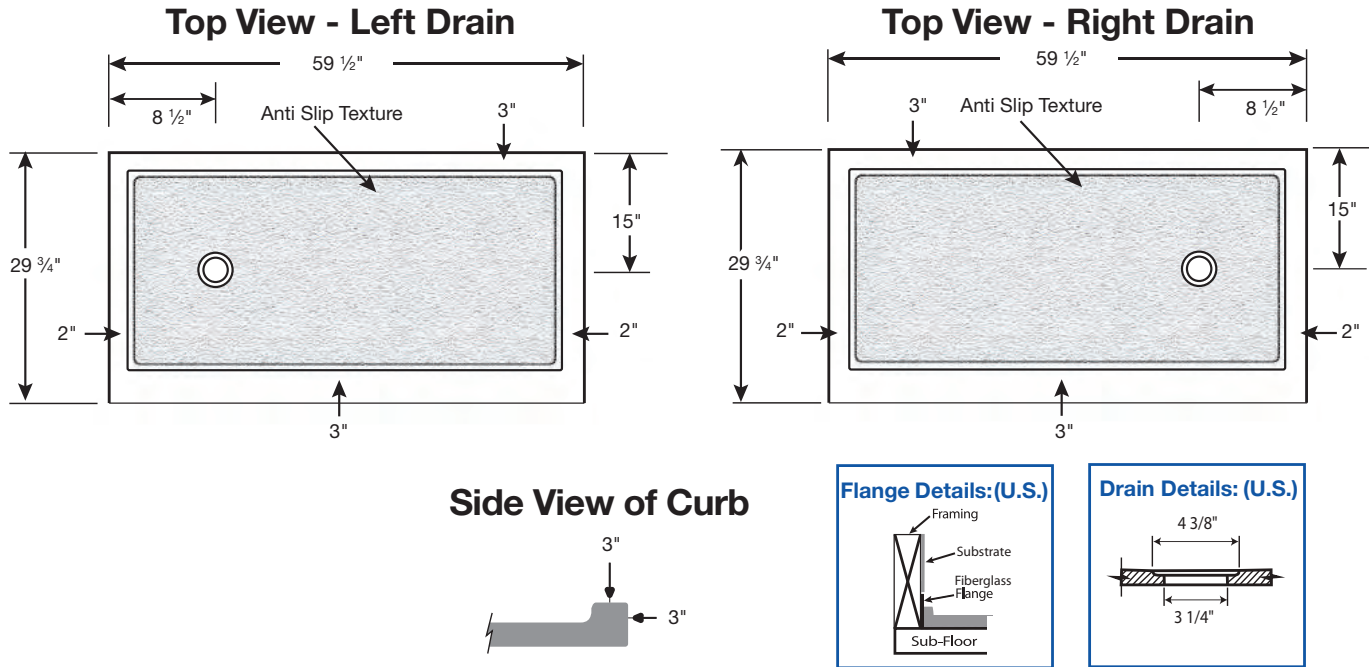


Cast Marble Solutions



SB60x30-8.50D-xH-LC

60 X 30 STANDARD OFFSET LH & RH SHOWER BASE
CAST MARBLE



FEATURES Dimensional Tolerance $\pm 1/4"$. Dimensions needed for site preparation should be measured from the unit. American Bath Group assumes no responsibility for preparatory work.

Type and Model #	Material	Shower Base	Pieces
Shower Base #SB60x30-8.50D-xH-LC	Cast Marble	Anti-Slip/Textured Finish	1

DIMENSIONS

Specifications	inches
Shower Base Depth:	29 3/4
Shower Base Width:	59 1/2
Curb Height:	3
Curb Width:	3

SB60x30-SSB-LC

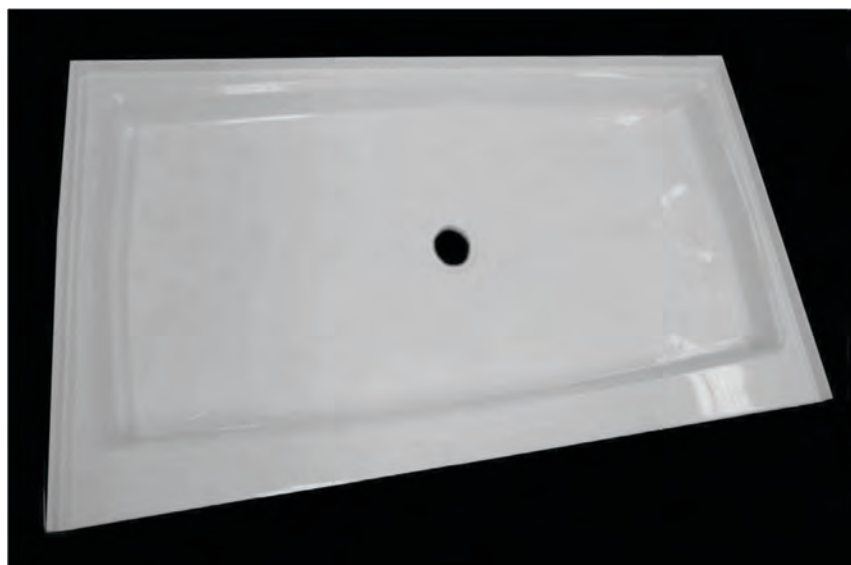
inches

60 X 30 SHOWER BASE WITH CENTER DRAIN IMI LITECAST™

Exterior Dimensions: 60W x 30D

Note: Base dimensions may vary +/- 1/8"

* Also available in IMI ProCast™



FEATURES

- Solid one-piece construction
- Pre-leveled, rests on subfloor
- Mold and mildew resistant
- Bacteria resistant
- "Grout-free" and non-porous
- Stain resistant and easy to clean
- Water proof and leak proof

STANDARDS AND RATINGS

- Typical CSI Code: 22 42 23 (Div 22)
- ANSI
- ASTM (Fire Rating)
- MAS Certified Green

Code compliant when fully equipped and installed according to guidelines.

Material to be stacked on pallets.

COLOR & TRIM OPTIONS

Standard Color	Code
----------------	------

White	SW
-------	----

Optional Color	Code
----------------	------

Cream	SC
Ivory	SI
Warm White	WW

Additional custom colors available.



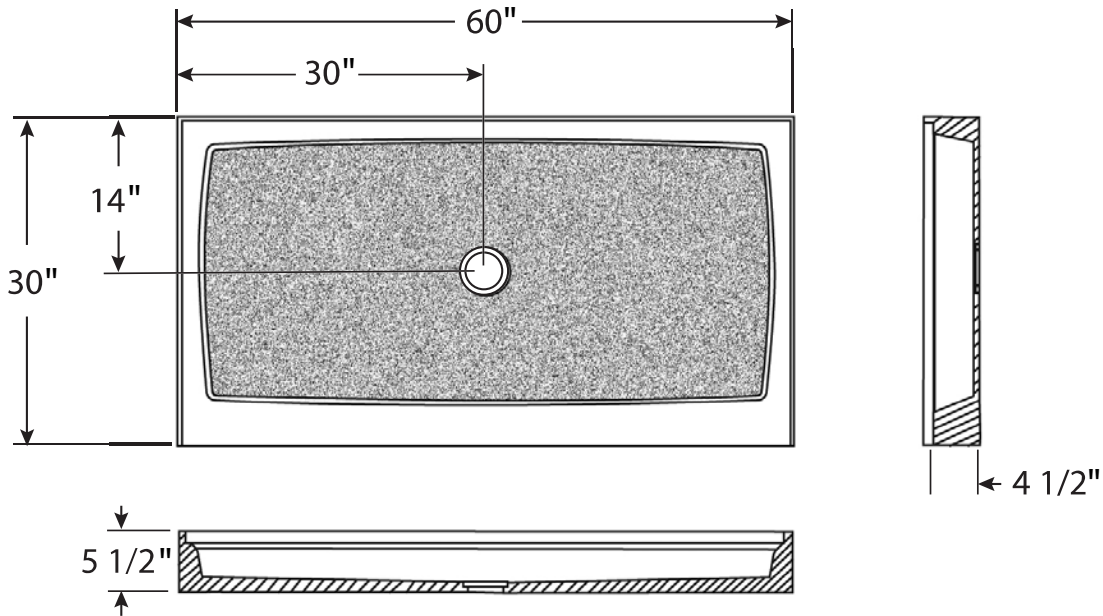
Cast Marble Solutions



SB60x30-SSB-LC

60 X 30 SHOWER BASE WITH CENTER DRAIN

IMI LITECAST™





FEATURES Dimensional Tolerance $\pm 1/8"$. Dimensions needed for site preparation should be measured from the unit. American Bath Group assumes no responsibility for preparatory work.

Type and Model #	Material	Shower Base	Pieces
Shower Base #SB60x30-SSB-LC	Cast Marble	Anti-Slip/Textured Finish	1

DIMENSIONS

Specifications	inches
Shower Base Depth:	30
Shower Base Width:	60
Curb Height:	5 1/2

SUGGESTED DRAINS

Image	Description
	Solvent Weld type fitting similar to Oatey Part No. 42097
	Compression type "No-Caulk" fitting similar to Oatey Part No. 42099

Rev. 04.13.21

SB60x30-34-CF-xH-LC

inches

60 X 30-34 CURVED FRONT SHOWER BASE WITH 4" TRENCH DRAIN IMI LITECAST™

Exterior Dimensions: 60W x 30-34D

Note: Base dimensions may vary +/- 1/8"

* Also available in IMI ProCast™



FEATURES

- Fiberglass flange
- Left or right drain
- Solid one-piece construction
- Pre-leveled, rests on subfloor
- Mold and mildew resistant
- Bacteria resistant
- Textured, non-slip finish
- Abrasion resistant gelcoat surface

STANDARDS AND RATINGS

- Typical CSI Code: 22 42 23 (Div 22)
- ANSI
- ASTM (Fire Rating)
- MAS Certified Green

Code compliant when fully equipped and installed according to guidelines.

Material to be stacked on pallets.

DRAIN FINISHES

Solid Cover	Code
Brushed Stainless Steel	SS
Ornamental (Slotted)	OSS
Decorative (Perforated)	DSS
Powder Coated	W, MB

COLOR & TRIM OPTIONS

Standard Color	Code
White	SW
Optional Color	Code
Cream	SC
Ivory	SI
Warm White	WW

Additional custom colors available.

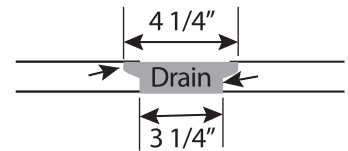
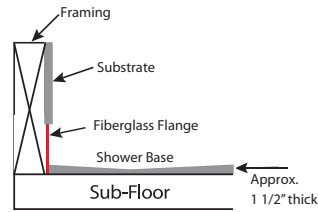
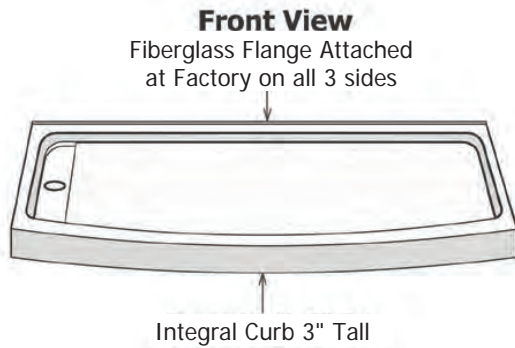
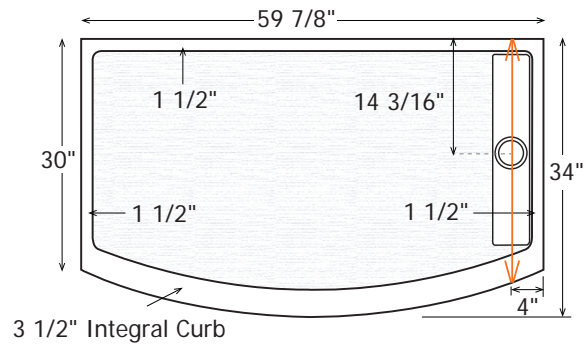
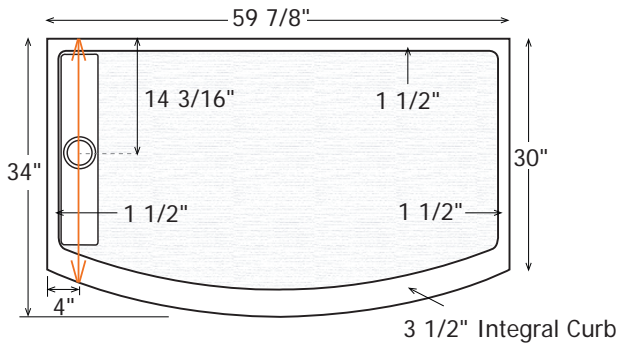


Cast Marble Solutions



SB60x30-34-CF-xH-LC

60 X 30-34 CURVED FRONT SHOWER BASE WITH 4" TRENCH DRAIN
IMI LITECAST™



Left Hand Drain Shown. Left & Right Hand Drain Available.

FEATURES Dimensional Tolerance $\pm 1/8"$. Dimensions needed for site preparation should be measured from the unit. American Bath Group assumes no responsibility for preparatory work.

Type and Model #	Material	Shower Base	Pieces
Shower Base #SB60x30-34-CF-xH-LC	Cast Marble	Anti-Slip/Textured Finish	1

DIMENSIONS

Specifications	inches
Shower Base Depth:	30-34
Shower Base Width:	60
Curb Height:	3
Curb Width:	3 1/2

Rev. 03.16.21

SB60x32-RCOD-xH-LC

inches

60 X 32 SHOWER BASE WITH LH OR RH REAR CORNER OFFSET DRAIN IMI LITECAST™

Exterior Dimensions: 60W x 32D

Note: Base dimensions may vary +/- 1/8"

* Also available in IMI ProCast™



Material to be stacked on pallets.

COLOR & TRIM OPTIONS

Standard Color	Code
White	SW

Optional Color	Code
Cream	SC
Ivory	SI
Warm White	WW

Additional custom colors available.



Cast Marble Solutions

FEATURES

- Integral curbs
- 3" front curb height
- Fiberglass Flange
- Textured non-slip finish
- Solid one-piece construction
- Pre-leveled, rests on subfloor
- Abrasion resistant gelcoat surface
- Mold and mildew resistant
- Bacteria resistant
- "Grout-free" and non-porous
- Stain resistant and easy to clean
- Waterproof and leakproof

STANDARDS AND RATINGS

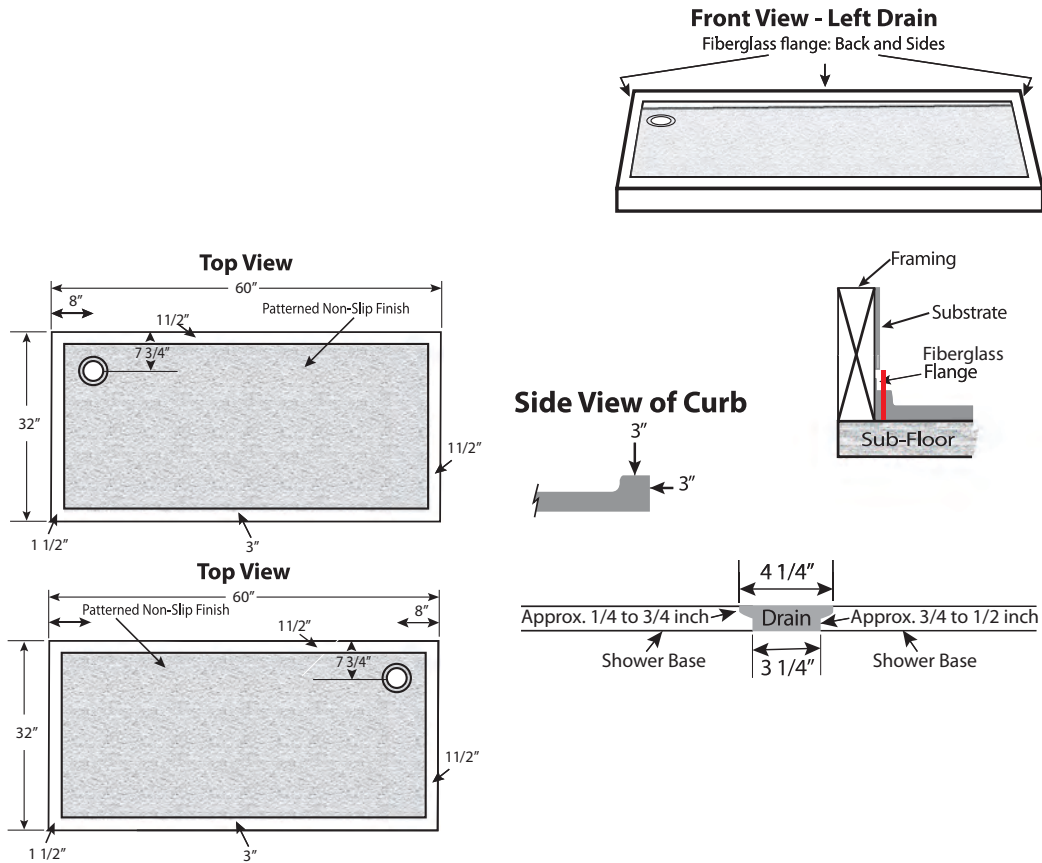
- ANSI Z124.1.2
- 2005 Tested by NAHB
- ASTM 1028-96
Coefficient of friction test
(minimum rating of .67)

Code compliant when fully equipped and installed according to guidelines.



SB60x32-RCOD-xH-LC

60 X 32 SHOWER BASE WITH LH OR RH REAR CORNER OFFSET DRAIN
IMI LITECAST™



FEATURES Dimensional Tolerance $\pm 1/8"$. Dimensions needed for site preparation should be measured from the unit. American Bath Group assumes no responsibility for preparatory work.

Type and Model #	Material	Shower Base	Pieces
Shower Base #SB60x32-RCOD-LC	Cast Marble	Anti-Slip/Textured Finish	1

DIMENSIONS

Specifications	inches
Shower Base Depth:	32
Shower Base Width:	60
Curb Height:	3

Suggested Drains:



Solvent Weld type fitting similar to Oatey Part No. 42097



Compression type "No-Caulk" fitting similar to Oatey Part No. 42099

Rev. 03.05.21

SB60x32-CROSD-LC

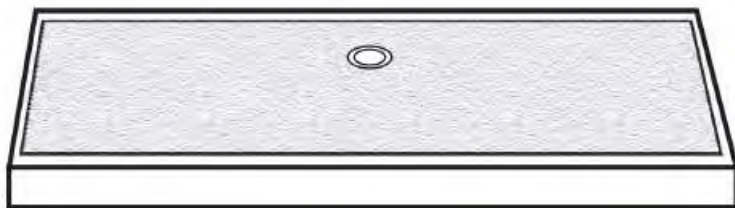
inches

60 X 32 SHOWER BASE WITH CENTER REAR OFFSET DRAIN IMI LITECAST™

Exterior Dimensions: 60W x 32D

Note: Base dimensions may vary +/- 1/4"

* Also available in IMI ProCast™



FEATURES

- Rear off-set center drain
- Integral curbs
- 2" front curb width
- 4" front curb height
- Textured non-slip finish
- Solid one-piece construction
- Pre-leveled, rests on subfloor
- Abrasion resistant gelcoat surface
- Mold and mildew resistant
- Bacteria resistant
- "Grout-free" and non-porous
- Stain resistant and easy to clean
- Waterproof and leakproof

STANDARDS AND RATINGS

- ANSI Z124.1.2
- 2005 Tested by NAHB
- ASTM 1028-96
Coefficient of friction test
(minimum rating of .67)
- Typical CSI Code: 22 42 23 (Div 22)
- ANSI
- ASTM (Fire Rating)
- MAS Certified Green

Code compliant when fully equipped and installed according to guidelines.

Material to be stacked on pallets.

COLOR & TRIM OPTIONS

Standard Color	Code
----------------	------

White	SW
-------	----

Optional Color	Code
----------------	------

Cream	SC
Ivory	SI
Warm White	WW

Additional custom colors available.



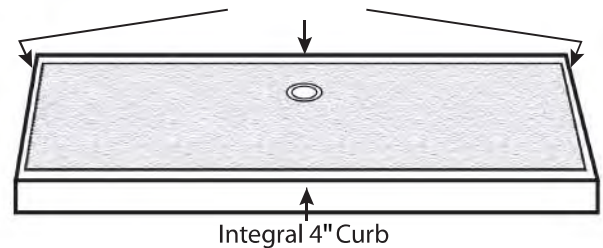
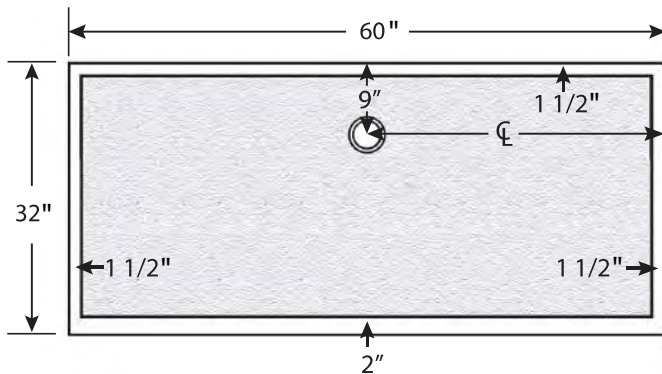
Cast Marble Solutions



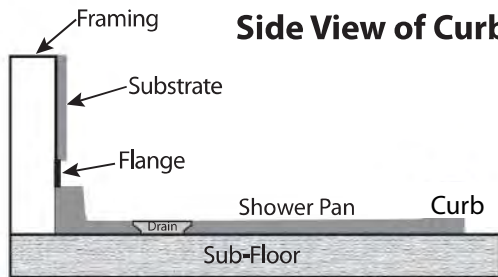
SB60x32-CROSD-LC

60 X 32 SHOWER BASE WITH CENTER REAR OFFSET DRAIN
IMI LITECAST™

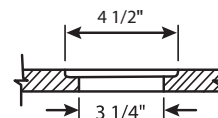
Front View



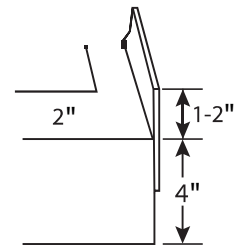
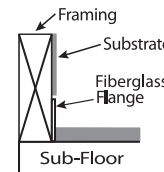
Side View of Curb



Drain Details: (U.S.)



Flange Details: (U.S.)



FEATURES Dimensional Tolerance $\pm 1/4"$. Dimensions needed for site preparation should be measured from the unit. American Bath Group assumes no responsibility for preparatory work.

Type and Model #	Material	Shower Base	Pieces
Shower Base #SB60x32-CROSD-LC	Cast Marble	Anti-Slip/Textured Finish	1

DIMENSIONS

Specifications	inches
Shower Base Depth:	32
Shower Base Width:	60
Curb Height:	4

Suggested Drains:



Solvent Weld type fitting similar to Oatey Part No. 42097



Compression type "No-Caulk" fitting similar to Oatey Part No. 42099

Rev. 08.16.21

SB60x32-4TD-xH-LC

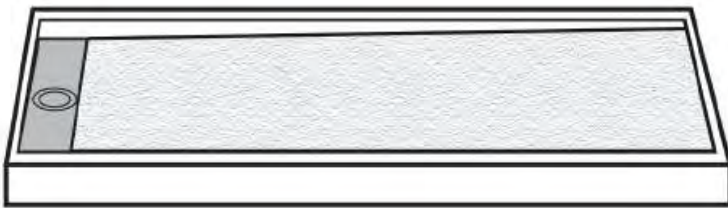
inches

60 X 32 4" TRENCH DRAIN LH OR RH SHOWER BASE IMI LITECAST™

Exterior Dimensions: 60W x 32D

Note: Base dimensions may vary +/- 1/8"

* Also available in IMI ProCast™



Material to be stacked on pallets.

DRAIN FINISHES

Solid Cover	Code
Brushed Stainless Steel	SS
Ornamental (Slotted)	OSS
Decorative (Perforated)	DSS
Powder Coated	W, MB

COLOR & TRIM OPTIONS

Standard Color	Code
White	SW
Optional Color	Code
Cream	SC
Ivory	SI
Warm White	WW

Additional custom colors available.



Cast Marble Solutions

FEATURES

- Available in Left Hand and Right Hand version
- Fiberglass Flange
- 3" Wide Thresholds on Front
- Solid one-piece construction
- Pre-leveled, rests on subfloor
- Mold and mildew resistant
- Bacteria resistant
- "Grout-free" and non-porous
- Stain resistant and easy to clean
- Waterproof and leakproof

STANDARDS AND RATINGS

- Typical CSI Code: 22 42 23 (Div 22)
- ANSI
- ASTM (Fire Rating)
- MAS Certified Green

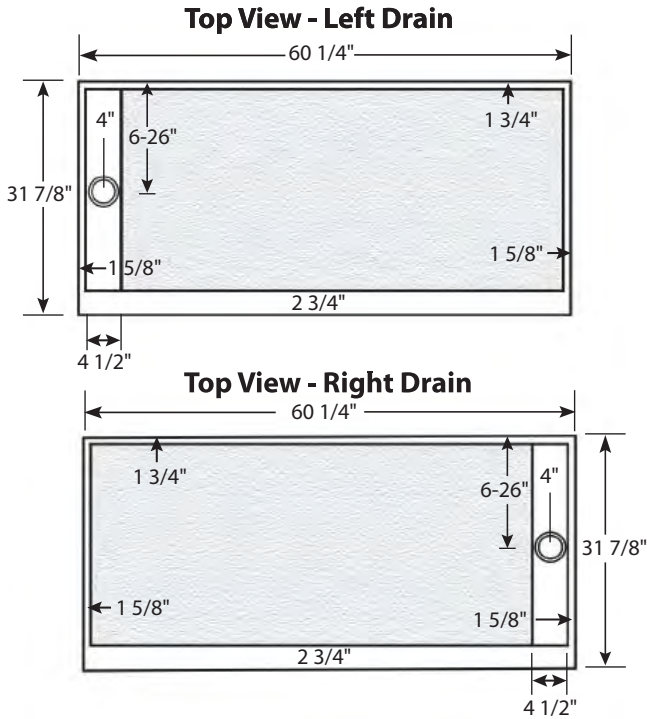
Code compliant when fully equipped and installed according to guidelines.



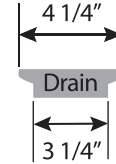
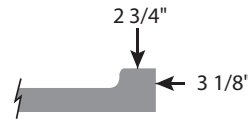
SB60x32-4TD-xH-LC

60 X 32 4" TRENCH DRAIN LH OR RH SHOWER BASE

IMI LITECAST™



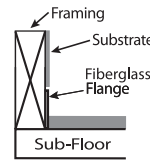
Side View of Curb



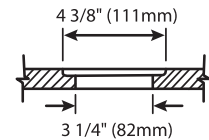
Drain Cover



Flange Details: (U.S.)



Drain Details: (U.S.)



FEATURES Dimensional Tolerance $\pm 1/8"$. Dimensions needed for site preparation should be measured from the unit. American Bath Group assumes no responsibility for preparatory work.

Type and Model #	Material	Shower Base	Pieces
Shower Base #SB60x32-4TD-xH-LC	Cast Marble	Anti-Slip/Textured Finish	1

DIMENSIONS

Specifications	inches
Shower Base Depth:	31 7/8"
Shower Base Width:	60 1/4"
Curb Height:	3 3/4"

Suggested Drains:



Solvent Weld type fitting similar to Oatey Part No. 42097



Compression type "No-Caulk" fitting similar to Oatey Part No. 42099

Rev. 5.20.21

SB60x32-SSB-LC

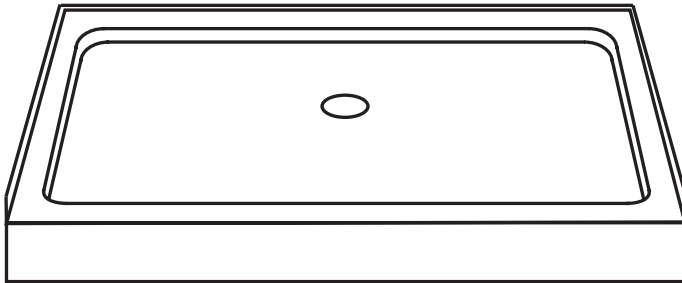
inches

60 X 32 SHOWER BASE WITH CENTER DRAIN IMI LITECAST™

Exterior Dimensions: 60W x 32D

Note: Base dimensions may vary +/- 1/8"

* Also available in IMI ProCast™



Material to be stacked on pallets.

COLOR & TRIM OPTIONS

Standard Color	Code
White	SW

Optional Color	Code
Cream	SC
Ivory	SI
Warm White	WW

Additional custom colors available.



Cast Marble Solutions

FEATURES

- 3 1/4" x 4" high integral curb
- Fiberglass flange attached at factory
- Solid one-piece construction
- Pre-leveled, rests on subfloor
- Mold and mildew resistant
- Bacteria resistant
- "Grout-free" and non-porous
- Stain resistant and easy to clean
- Water proof and leak proof

STANDARDS AND RATINGS

- Typical CSI Code: 22 42 23 (Div 22)
- ANSI
- ASTM (Fire Rating)
- MAS Certified Green

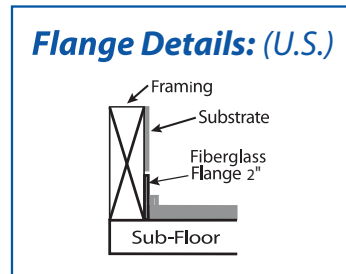
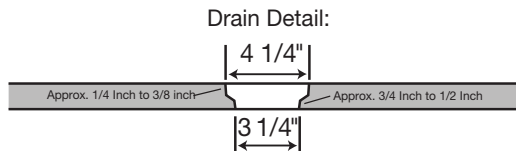
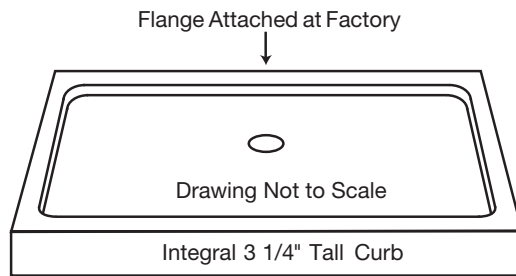
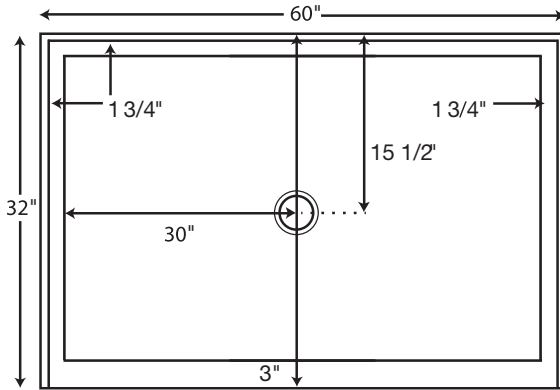
Code compliant when fully equipped and installed according to guidelines.



SB60x32-SSB-LC

60 X 32 SHOWER BASE WITH CENTER DRAIN

IMI LITECAST™





FEATURES Dimensional Tolerance $\pm 1/8"$. Dimensions needed for site preparation should be measured from the unit. American Bath Group assumes no responsibility for preparatory work.

Type and Model #	Material	Shower Base	Pieces
Shower Base #SB60x32-SSB-LC	Cast Marble	Anti-Slip/Textured Finish	1

DIMENSIONS

Specifications	inches
Shower Base Depth:	32
Shower Base Width:	60
Curb Height:	3 1/4

SUGGESTED DRAINS

Image	Description
	Solvent Weld type fitting similar to Oatey Part No. 42097
	Compression type "No-Caulk" fitting similar to Oatey Part No. 42099

Rev. 04.12.21

SB60x32-5.50D-xH-LC

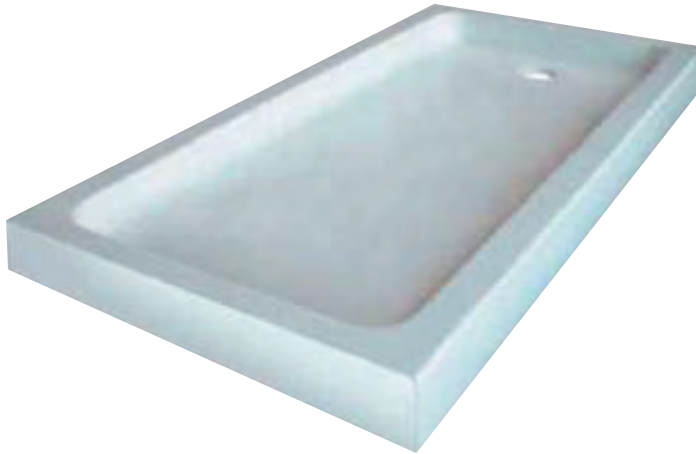
inches

60 X 32 SHOWER BASE WITH STANDARD LH OR RH OFFSET DRAIN IMI LITECAST™

Exterior Dimensions: 60W x 32D

Note: Base dimensions may vary +/- 1/4"

* Also available in IMI ProCast™



Material to be stacked on pallets.

COLOR & TRIM OPTIONS

Standard Color	Code
White	SW

Optional Color	Code
Cream	SC
Ivory	SI
Warm White	WW

Additional custom colors available.

FEATURES

- Available in left-hand or right-hand version
- Designed for tub replacements
- Three strips of fiberglass included for install
- 3" wide thresholds on each side—back wall area can be trimmed to fit a 30" deep cavity
- Solid one-piece construction
- Pre-leveled, rests on subfloor
- Mold and mildew resistant
- Bacteria resistant
- "Grout-free" and non-porous
- Stain resistant and easy to clean
- Waterproof and leakproof

STANDARDS AND RATINGS

- ANSI Z124.1.2
- 2005 Tested by NAHB
- ASTM 1028-96
Coefficient of friction test
(minimum rating of .67)
- Typical CSI Code: 22 42 23 (Div 22)
- ANSI
- ASTM (Fire Rating)
- MAS Certified Green

Code compliant when fully equipped and installed according to guidelines.

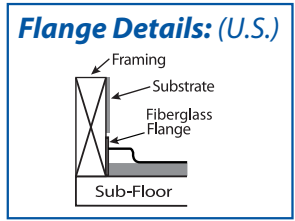
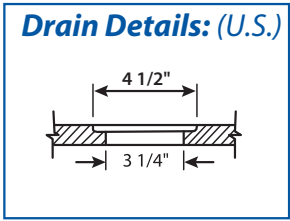
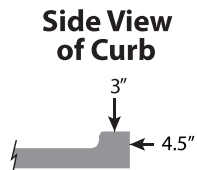
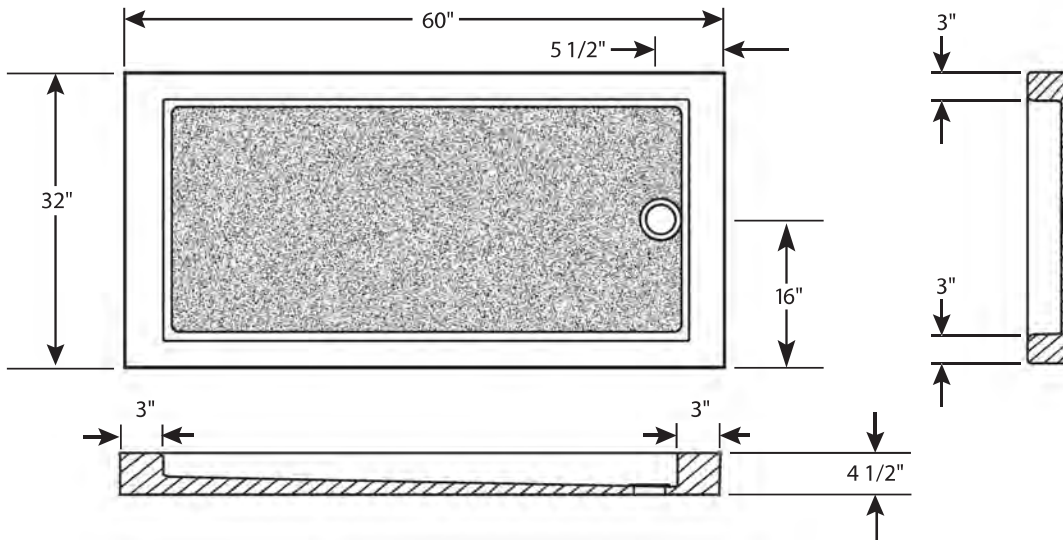


Cast Marble Solutions



SB60x32-5.50D-xH-LC

60 X 32 SHOWER BASE WITH STANDARD LH OR RH OFFSET DRAIN
IMI LITECAST™



FEATURES Dimensional Tolerance $\pm 1/4$ ". Dimensions needed for site preparation should be measured from the unit. American Bath Group assumes no responsibility for preparatory work.

Type and Model #	Material	Shower Base	Pieces
Shower Base #SB60x32-5.50D-xH-LC	Cast Marble	Anti-Slip/Textured Finish	1

DIMENSIONS

Specifications	inches
Shower Base Depth:	32
Shower Base Width:	60
Curb Height:	4 1/2
Curb Width:	3

Suggested Drains:



Solvent Weld type fitting similar to Oatey Part No. 42097



Compression type "No-Caulk" fitting similar to Oatey Part No. 42099

Rev. 08.16.21

SB60x32-70D-xH-LC

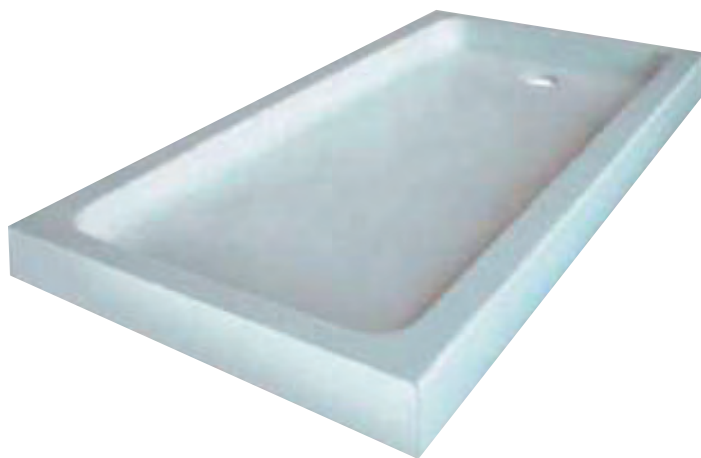
inches

60 X 32 SHOWER BASE WITH STANDARD LH OR RH OFFSET DRAIN IMI LITECAST™

Exterior Dimensions: 60W x 32D

Note: Base dimensions may vary +/- 1/4"

* Also available in IMI ProCast™



Material to be stacked on pallets.

COLOR & TRIM OPTIONS

Standard Color	Code
----------------	------

White	SW
-------	----

Optional Color	Code
----------------	------

Cream	SC
Ivory	SI
Warm White	WW

Additional custom colors available.

FEATURES

- Available in left-hand or right-hand version
- Designed for tub replacements
- 3" wide thresholds on each side—back wall area can be trimmed to fit a 30" deep cavity
- Solid one-piece construction
- Pre-leveled, rests on subfloor
- Mold and mildew resistant
- Bacteria resistant
- "Grout-free" and non-porous
- Stain resistant and easy to clean
- Waterproof and leakproof

STANDARDS AND RATINGS

- ANSI Z124.1.2
- 2005 Tested by NAHB
- ASTM 1028-96
Coefficient of friction test
(minimum rating of .67)
- Typical CSI Code: 22 42 23 (Div 22)
- ANSI
- ASTM (Fire Rating)
- MAS Certified Green

Code compliant when fully equipped and installed according to guidelines.

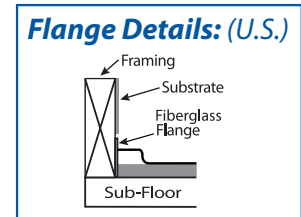
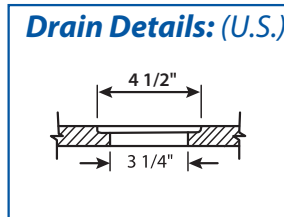
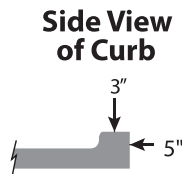
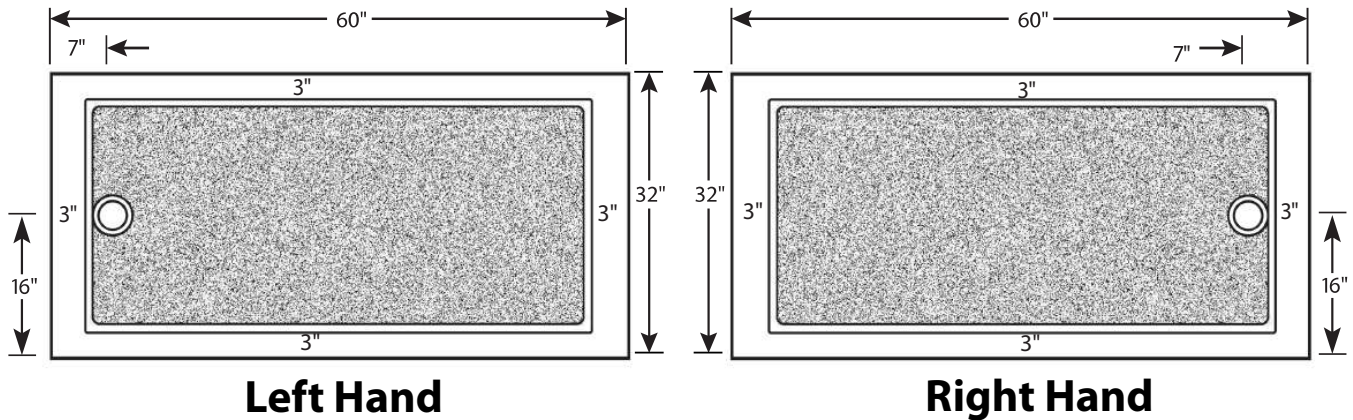


Cast Marble Solutions



SB60x32-70D-xH-LC

60 X 32 SHOWER BASE WITH STANDARD LH OR RH OFFSET DRAIN
IMI LITECAST™



FEATURES Dimensional Tolerance $\pm 1/4$ ". Dimensions needed for site preparation should be measured from the unit. American Bath Group assumes no responsibility for preparatory work.

Type and Model #	Material	Shower Base	Pieces
Shower Base #SB60x32-70D-xH-LC	Cast Marble	Anti-Slip/Textured Finish	1

DIMENSIONS

Specifications	inches
Shower Base Depth:	32
Shower Base Width:	60
Curb Height:	5
Curb Width:	3

Suggested Drains:



Solvent Weld type fitting similar to Oatey Part No. 42097



Compression type "No-Caulk" fitting similar to Oatey Part No. 42099

Rev. 08.16.21

SB60x32-8.25TD-xH-LC

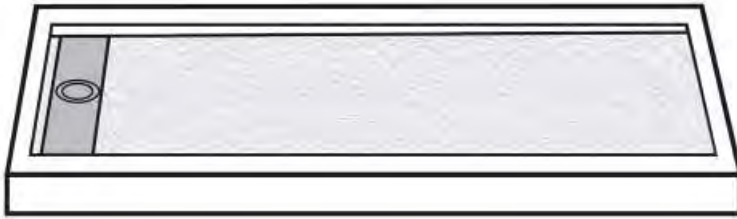
inches

60 X 32 SHOWER BASE WITH 8 ¼" TRENCH DRAIN IMI LITECAST™

Exterior Dimensions: 60W x 32D

Note: Base dimensions may vary +/- ¼"

* Also available in IMI ProCast™



Material to be stacked on pallets.

DRAIN FINISHES

Solid Cover	Code
Brushed Stainless Steel	SS
Ornamental (Slotted)	OSS
Decorative (Perforated)	DSS
Powder Coated	W, MB

COLOR & TRIM OPTIONS

Standard Color	Code
White	SW

Optional Color	Code
Cream	SC
Ivory	SI
Warm White	WW

Additional custom colors available.



Cast Marble Solutions

FEATURES

- Available in Left Hand and Right Hand version
- Fiberglass flange
- 2" wide thresholds on sides
- 3" wide thresholds on front and back
- Solid one-piece construction
- Pre-leveled, rests on subfloor
- Mold and mildew resistant
- Bacteria resistant
- "Grout-free" and non-porous
- Stain resistant and easy to clean
- Waterproof and leakproof

STANDARDS AND RATINGS

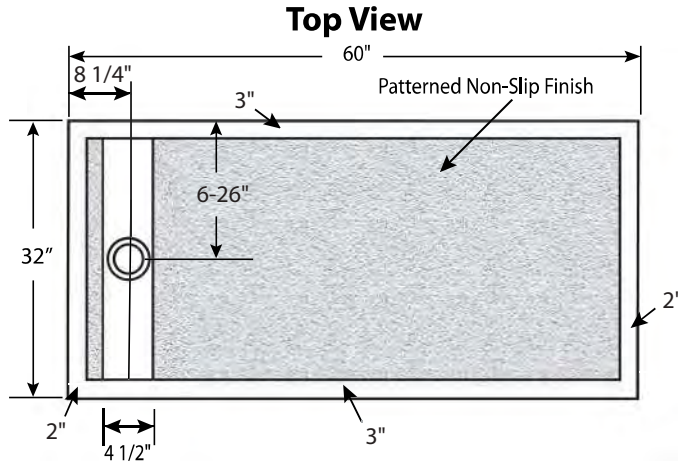
- Typical CSI Code: 22 42 23 (Div 22)
- ANSI
- ASTM (Fire Rating)
- MAS Certified Green

Code compliant when fully equipped and installed according to guidelines.

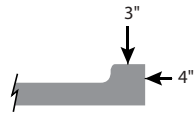


SB60x32-8.25TD-xH-LC

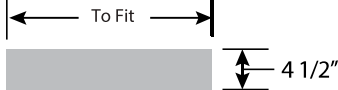
60 X 32 SHOWER BASE WITH 8 1/4" TRENCH DRAIN
IMI LITECAST™



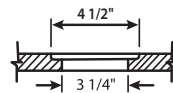
Side View of Curb



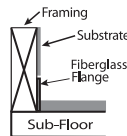
Drain Cover



Drain Details: (U.S.)



Flange Details: (U.S.)



FEATURES Dimensional Tolerance $\pm 1/4$ ". Dimensions needed for site preparation should be measured from the unit. American Bath Group assumes no responsibility for preparatory work.

Type and Model #	Material	Shower Base	Pieces
Shower Base #SB60x32-8.25TD-xH-LC	Cast Marble	Anti-Slip/Textured Finish	1

DIMENSIONS

Specifications	inches
Shower Base Depth:	32
Shower Base Width:	60
Curb Height:	4
Curb Width:	3

Suggested Drains:



Solvent Weld type fitting similar to Oatey Part No. 42097



Compression type "No-Caulk" fitting similar to Oatey Part No. 42099

Rev. 08.16.21

SB60x34-SSB-LC

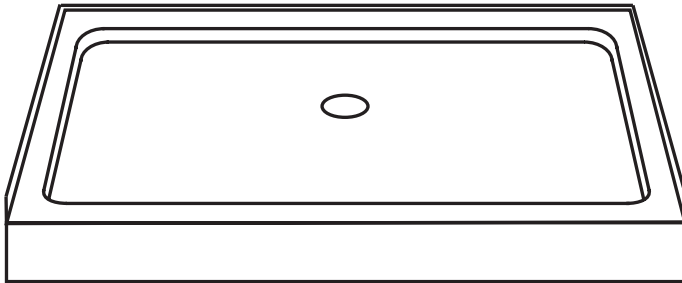
inches

60 X 34 SHOWER BASE WITH CENTER DRAIN IMI LITECAST™

Exterior Dimensions: 60W x 34D

Note: Base dimensions may vary +/- 1/4"

* Also available in IMI ProCast™



Material to be stacked on pallets.

COLOR & TRIM OPTIONS

Standard Color	Code
White	SW

Optional Color	Code
Cream	SC
Ivory	SI
Warm White	WW

Additional custom colors available.



Cast Marble Solutions

FEATURES

- Fiberglass flange
- Solid one-piece construction
- Pre-leveled, rests on subfloor
- Mold and mildew resistant
- Bacteria resistant
- "Grout-free" and non-porous
- Stain resistant and easy to clean
- Water proof and leak proof

STANDARDS AND RATINGS

- Typical CSI Code: 22 42 23 (Div 22)
- ANSI
- ASTM (Fire Rating)
- MAS Certified Green

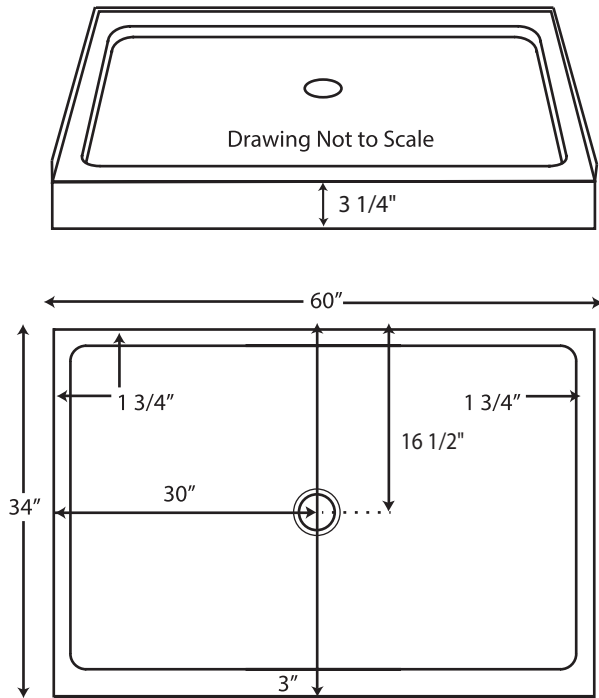
Code compliant when fully equipped and installed according to guidelines.



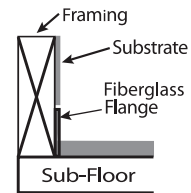
SB60x34-SSB-LC

60 X 34 SHOWER BASE WITH CENTER DRAIN

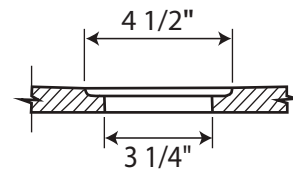
IMI LITECAST™



Flange Details: (U.S.)



Drain Details: (U.S.)





FEATURES Dimensional Tolerance $\pm 1/4$ ". Dimensions needed for site preparation should be measured from the unit. American Bath Group assumes no responsibility for preparatory work.

Type and Model #	Material	Shower Base	Pieces
Shower Base #SB60x34-SSB-LC	Cast Marble	Anti-Slip/Textured Finish	1

DIMENSIONS

Specifications	inches
Shower Base Depth:	34
Shower Base Width:	60
Curb Height:	3 1/4

SUGGESTED DRAINS

Image	Description
	Solvent Weld type fitting similar to Oatey Part No. 42097
	Compression type "No-Caulk" fitting similar to Oatey Part No. 42099

Rev. 08.16.21

SB60x34-4TD-xH-LC

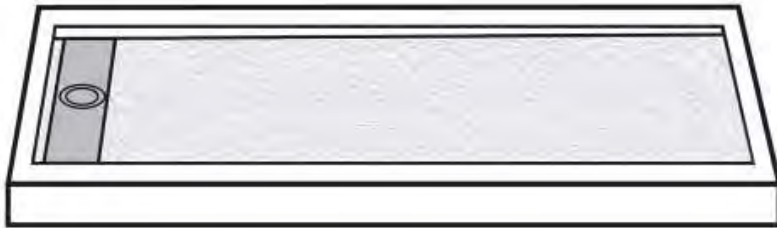
inches

60 X 34 LH OR RH SHOWER BASE WITH 4" TRENCH DRAIN IMI LITECAST™

Exterior Dimensions: 60W x 34D

Note: Base dimensions may vary +/- 1/4"

* Also available in IMI ProCast™



Material to be stacked on pallets.

DRAIN FINISHES

Solid Cover	Code
Brushed Stainless Steel	SS
Ornamental (Slotted)	OSS
Decorative (Perforated)	DSS
Powder Coated	W, MB

COLOR & TRIM OPTIONS

Standard Color	Code
White	SW

Optional Color	Code
Cream	SC
Ivory	SI
Warm White	WW

Additional custom colors available.



Cast Marble Solutions

FEATURES

- Fiberglass Flange
- Left or right drain
- Pre-sloped to drain
- Solid one-piece construction
- Pre-leveled, rests on subfloor
- Mold and mildew resistant
- Bacteria resistant
- "Grout-free" and non-porous
- Stain resistant and easy to clean
- Waterproof and leakproof

STANDARDS AND RATINGS

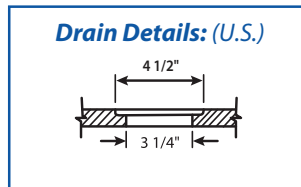
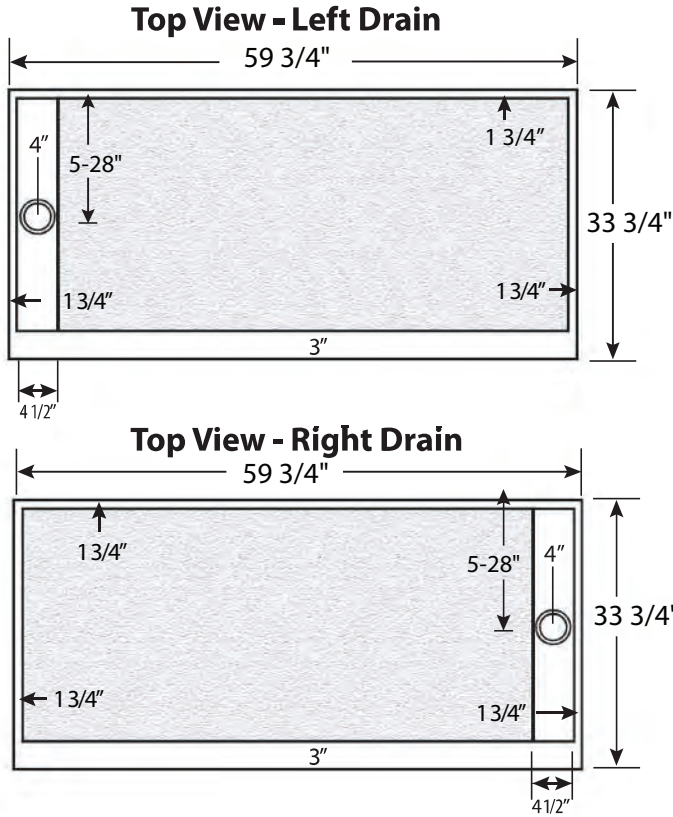
- Typical CSI Code: 22 42 23 (Div 22)
- ANSI
- ASTM (Fire Rating)
- MAS Certified Green

Code compliant when fully equipped and installed according to guidelines.

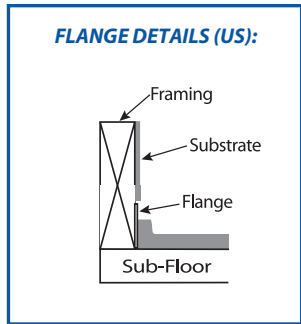
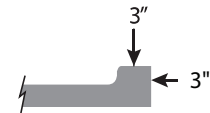


SB60x34-4TD-xH-LC

60 X 34 LH OR RH SHOWER BASE WITH 4" TRENCH DRAIN
IMI LITECAST™



Side View of Curb



Drain Cover



FEATURES Dimensional Tolerance $\pm 1/4$ ". Dimensions needed for site preparation should be measured from the unit. American Bath Group assumes no responsibility for preparatory work.

Type and Model #	Material	Shower Base	Pieces
Shower Base #SB60x34-4TD-xH-LC	Cast Marble	Anti-Slip/Textured Finish	1

DIMENSIONS

Specifications	inches
Shower Base Depth:	33 3/4
Shower Base Width:	59 3/4
Curb Height:	3
Curb Width:	3

Suggested Drains:



Solvent Weld type fitting similar to Oatey Part No. 42097



Compression type "No-Caulk" fitting similar to Oatey Part No. 42099

SB60x34-8TD-xH-LC

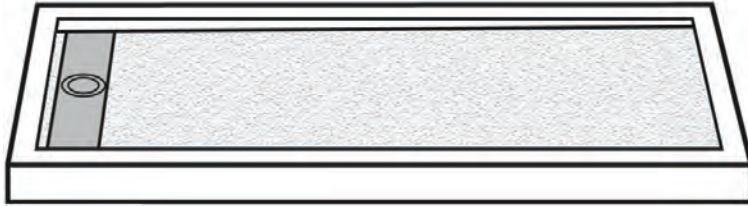
inches

60 X 34 SHOWER BASE WITH 8" TRENCH DRAIN IMI LITECAST™

Exterior Dimensions: 60W x 34D

Note: Base dimensions may vary +/- 1/4"

* Also available in IMI ProCast™



FEATURES

- Available in Left Hand and Right Hand version
- Fiberglass Flange
- 3" Wide Thresholds on Front
- Solid one-piece construction
- Pre-leveled, rests on subfloor
- Mold and mildew resistant
- Bacteria resistant
- "Grout-free" and non-porous
- Stain resistant and easy to clean
- Waterproof and leakproof

STANDARDS AND RATINGS

- Typical CSI Code: 22 42 23 (Div 22)
- ANSI
- ASTM (Fire Rating)
- MAS Certified Green

Code compliant when fully equipped and installed according to guidelines.

Material to be stacked on pallets.

DRAIN FINISHES

Solid Cover	Code
Brushed Stainless Steel	SS
Ornamental (Slotted)	OSS
Decorative (Perforated)	DSS
Powder Coated	W, MB

COLOR & TRIM OPTIONS

Standard Color	Code
White	SW

Optional Color	Code
Cream	SC
Ivory	SI
Warm White	WW

Additional custom colors available.

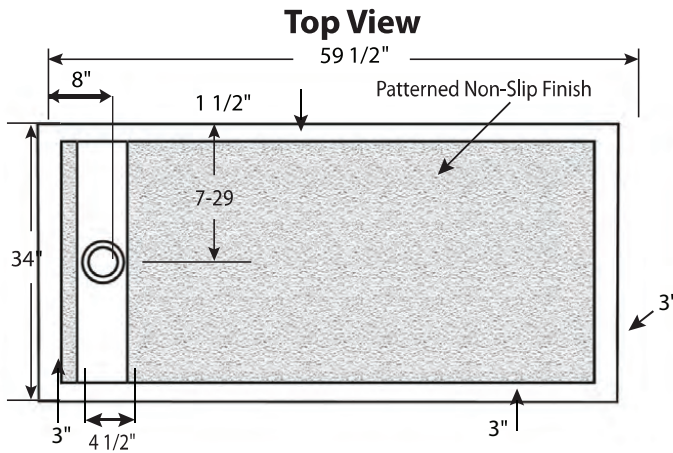


Cast Marble Solutions

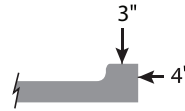


SB60x34-8TD-xH-LC

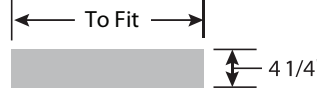
60 X 34 SHOWER BASE WITH 8" TRENCH DRAIN
IMI LITECAST™



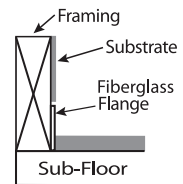
Side View of Curb



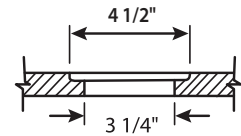
Drain Cover



Flange Details: (U.S.)



Drain Details: (U.S.)



FEATURES Dimensional Tolerance $\pm 1/4$ ". Dimensions needed for site preparation should be measured from the unit. American Bath Group assumes no responsibility for preparatory work.

Type and Model #	Material	Shower Base	Pieces
Shower Base #SB60x34-8TD-xH-LC	Cast Marble	Anti-Slip/Textured Finish	1

DIMENSIONS

Specifications	inches
Shower Base Depth:	34
Shower Base Width:	59 1/2
Curb Height:	3
Curb Width:	3

Suggested Drains:



Solvent Weld type fitting similar to Oatey Part No. 42097



Compression type "No-Caulk" fitting similar to Oatey Part No. 42099

Rev. 08.16.21

SB60x36-4TD-xH-LC

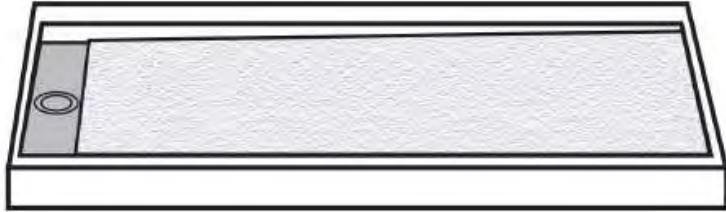
inches

60 X 36 SHOWER BASE WITH 4" TRENCH DRAIN IMI LITECAST™

Exterior Dimensions: 60W x 36D

Note: Base dimensions may vary +/- 1/4"

* Also available in IMI ProCast™



Material to be stacked on pallets.

DRAIN FINISHES

Solid Cover	Code
Brushed Stainless Steel	SS
Ornamental (Slotted)	OSS
Decorative (Perforated)	DSS
Powder Coated	W, MB

COLOR & TRIM OPTIONS

Standard Color	Code
White	SW

Optional Color	Code
Cream	SC
Ivory	SI
Warm White	WW

Additional custom colors available.



Cast Marble Solutions

FEATURES

- Available in Left Hand and Right Hand version
- Fiberglass Flange
- 3" Wide Thresholds on Front
- Solid one-piece construction
- Pre-leveled, rests on subfloor
- Mold and mildew resistant
- Bacteria resistant
- "Grout-free" and non-porous
- Stain resistant and easy to clean
- Waterproof and leakproof

STANDARDS AND RATINGS

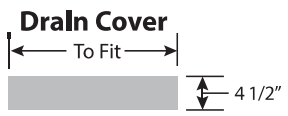
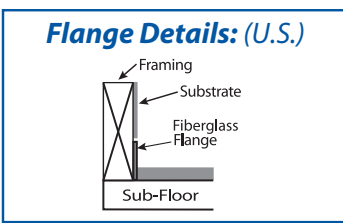
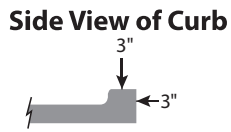
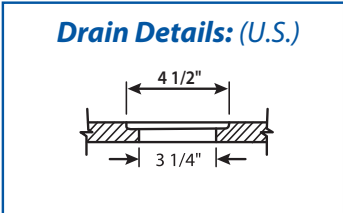
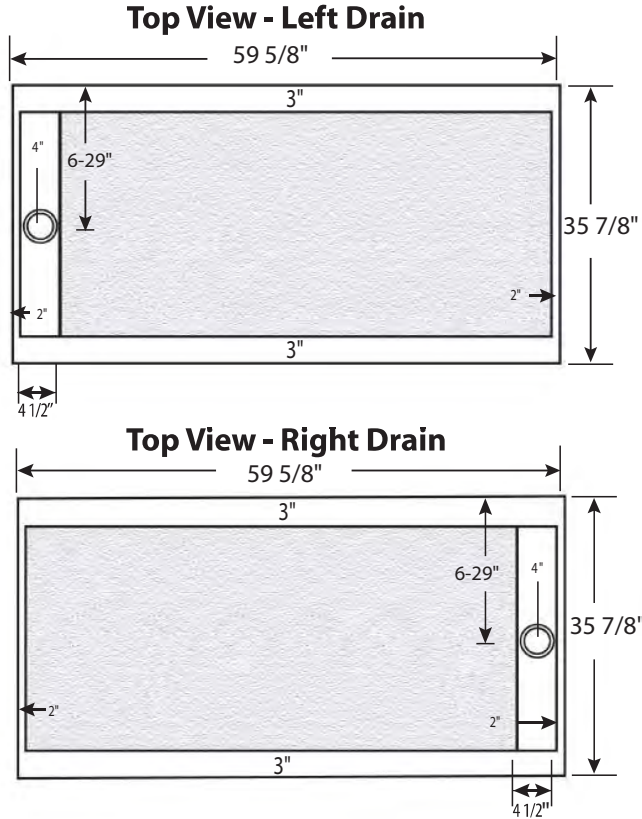
- Typical CSI Code: 22 42 23 (Div 22)
- ANSI
- ASTM (Fire Rating)
- MAS Certified Green

Code compliant when fully equipped and installed according to guidelines.



SB60x36-4TD-xH-LC

60 X 36 SHOWER BASE WITH 4" TRENCH DRAIN
IMI LITECAST™



FEATURES Dimensional Tolerance $\pm 1/4$ ". Dimensions needed for site preparation should be measured from the unit. American Bath Group assumes no responsibility for preparatory work.

Type and Model #	Material	Shower Base	Pieces
Shower Base #SB60x36-3.5TD-xH-LC	Cast Marble	Anti-Slip/Textured Finish	1

DIMENSIONS

Specifications	inches
Shower Base Depth:	35 7/8
Shower Base Width:	59 5/8
Curb Height:	3
Curb Width:	3

Suggested Drains:



Solvent Weld type fitting similar to Oatey Part No. 42097

Compression type "No-Caulk" fitting similar to Oatey Part No. 42099

SB60x36-8TD-xH-LC

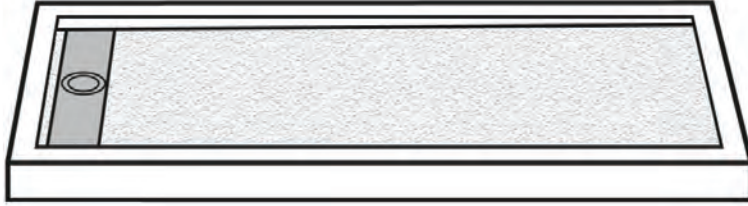
inches

60 X 36 SHOWER BASE WITH 8" TRENCH DRAIN IMI LITECAST™

Exterior Dimensions: 60W x 36D

Note: Base dimensions may vary +/- 1/4"

* Also available in IMI ProCast™



FEATURES

- Available in Left Hand and Right Hand version
- Fiberglass flange
- 1 7/8" wide thresholds on back and sides
- Solid one-piece construction
- Pre-leveled, rests on subfloor
- Mold and mildew resistant
- Bacteria resistant
- "Grout-free" and non-porous
- Stain resistant and easy to clean
- Waterproof and leakproof

STANDARDS AND RATINGS

- Typical CSI Code: 22 42 23 (Div 22)
- ANSI
- ASTM (Fire Rating)
- MAS Certified Green

Code compliant when fully equipped and installed according to guidelines.

Material to be stacked on pallets.

DRAIN FINISHES

Solid Cover	Code
Brushed Stainless Steel	SS
Ornamental (Slotted)	OSS
Decorative (Perforated)	DSS
Powder Coated	W, MB

COLOR & TRIM OPTIONS

Standard Color	Code
White	SW

Optional Color	Code
Cream	SC
Ivory	SI
Warm White	WW

Additional custom colors available.

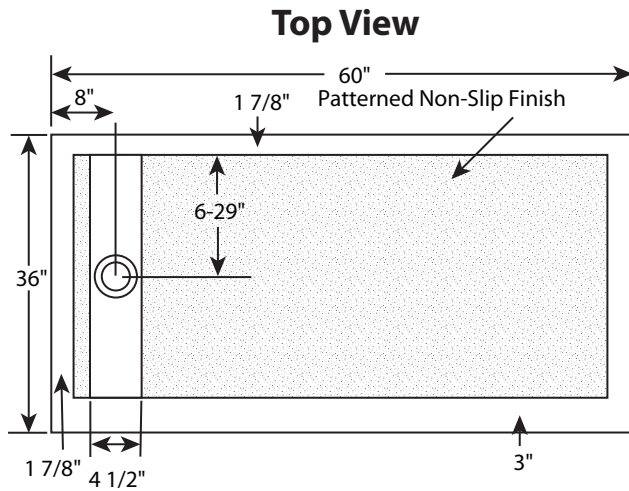


Cast Marble Solutions

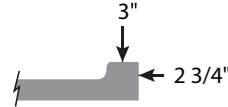


SB60x36-8TD-xH-LC

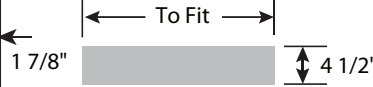
60 X 36 SHOWER BASE WITH 8" TRENCH DRAIN
IMI LITECAST™



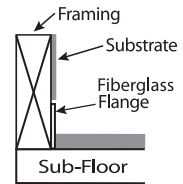
Side View of Curb



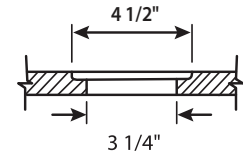
Drain Cover



Flange Details: (U.S.)



Drain Details: (U.S.)



FEATURES Dimensional Tolerance $\pm 1/4$ ". Dimensions needed for site preparation should be measured from the unit. American Bath Group assumes no responsibility for preparatory work.

Type and Model #	Material	Shower Base	Pieces
Shower Base #SB60x36-8TD-xH-LC	Cast Marble	Anti-Slip/Textured Finish	1

DIMENSIONS

Specifications	inches
Shower Base Depth:	36
Shower Base Width:	60
Curb Height:	2 3/4
Curb Width:	3

Suggested Drains:



Solvent Weld type fitting similar to Oatey Part No. 42097



Compression type "No-Caulk" fitting similar to Oatey Part No. 42099

Rev. 08.16.21

SB60x36-100D-xH-LC

inches

60 X 36 SHOWER BASE WITH STANDARD LH OR RH OFFSET DRAIN IMI LITECAST™

Exterior Dimensions: 60W x 36D

Note: Base dimensions may vary +/- 1/4"

* Also available in IMI ProCast™



FEATURES

- Available in left-hand or right-hand version
- Fiberglass flange
- 3" wide thresholds on front
- Solid one-piece construction
- Pre-leveled, rests on subfloor
- Mold and mildew resistant
- Bacteria resistant
- "Grout-free" and non-porous
- Stain resistant and easy to clean
- Waterproof and leakproof

STANDARDS AND RATINGS

- ANSI Z124.1.2
- 2005 Tested by NAHB
- ASTM 1028-96
Coefficient of friction test
(minimum rating of .67)
- Typical CSI Code: 22 42 23 (Div 22)
- ANSI
- ASTM (Fire Rating)
- MAS Certified Green

Code compliant when fully equipped and installed according to guidelines.

Material to be stacked on pallets.

COLOR & TRIM OPTIONS

Standard Color	Code
----------------	------

White	SW
-------	----

Optional Color	Code
----------------	------

Cream	SC
Ivory	SI
Warm White	WW

Additional custom colors available.



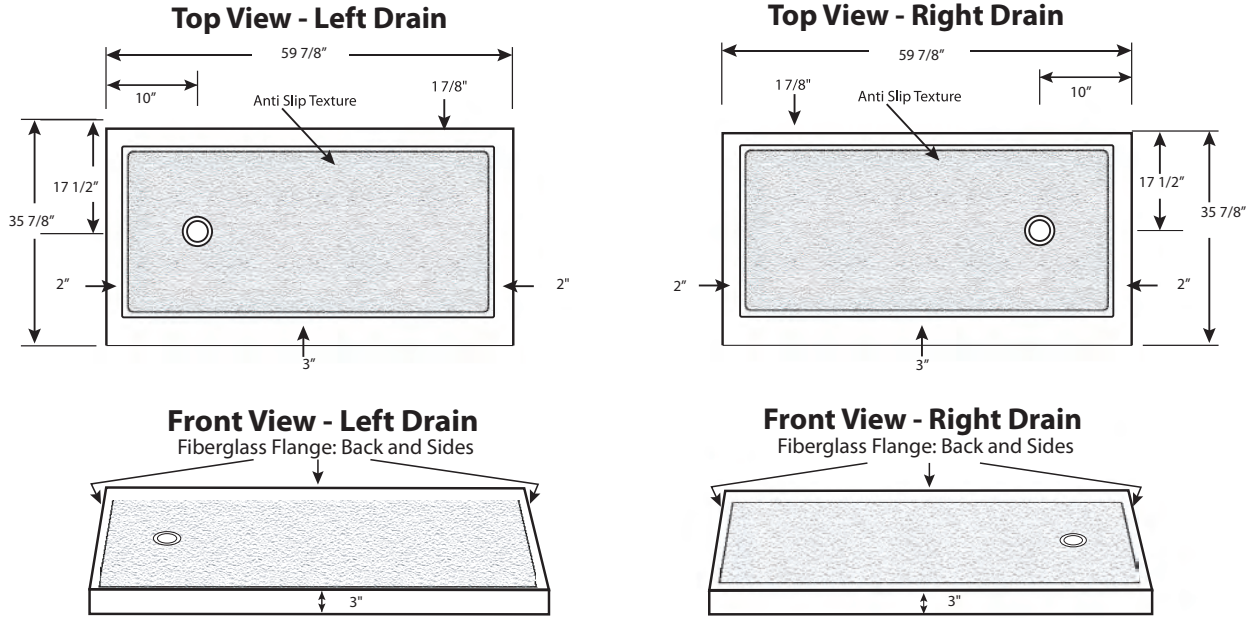
Cast Marble Solutions



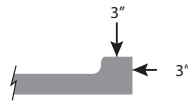
SB60x36-100D-xH-LC

60 X 36 SHOWER BASE WITH STANDARD LH OR RH OFFSET DRAIN

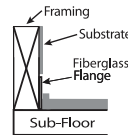
IMI LITECAST™



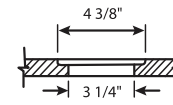
Side View of Curb



Flange Details: (U.S.)



Drain Details: (U.S.)



FEATURES Dimensional Tolerance $\pm 1/4"$. Dimensions needed for site preparation should be measured from the unit. American Bath Group assumes no responsibility for preparatory work.

Type and Model #	Material	Shower Base	Pieces
Shower Base #SB60x36-100D-xH-LC	Cast Marble	Anti-Slip/Textured Finish	1

DIMENSIONS

Specifications	inches
Shower Base Depth:	35 7/8"
Shower Base Width:	59 7/8"
Curb Height:	3"

Suggested Drains:



Solvent Weld type fitting similar to Oatey Part No. 42097



Compression type "No-Caulk" fitting similar to Oatey Part No. 42099

Rev. 08.16.21

SB60x36-10RCOD-xH-LC

inches

60 X 36 SHOWER BASE WITH LH OR RH REAR CORNER OFFSET DRAIN IMI LITECAST™

Exterior Dimensions: 60W x 36D

Note: Base dimensions may vary +/- 1/4"

* Also available in IMI ProCast™



Material to be stacked on pallets.

COLOR & TRIM OPTIONS

Standard Color	Code
White	SW

Optional Color	Code
Cream	SC
Ivory	SI
Warm White	WW

Additional custom colors available.



Cast Marble Solutions

FEATURES

- Integral curbs
- 3" front curb height
- Fiberglass Flange
- Textured non-slip finish
- Solid one-piece construction
- Pre-leveled, rests on subfloor
- Abrasion resistant gelcoat surface
- Mold and mildew resistant
- Bacteria resistant
- "Grout-free" and non-porous
- Stain resistant and easy to clean
- Waterproof and leakproof

STANDARDS AND RATINGS

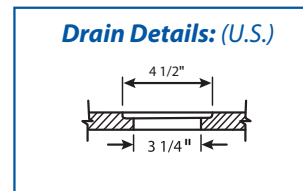
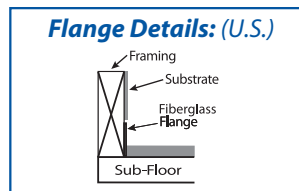
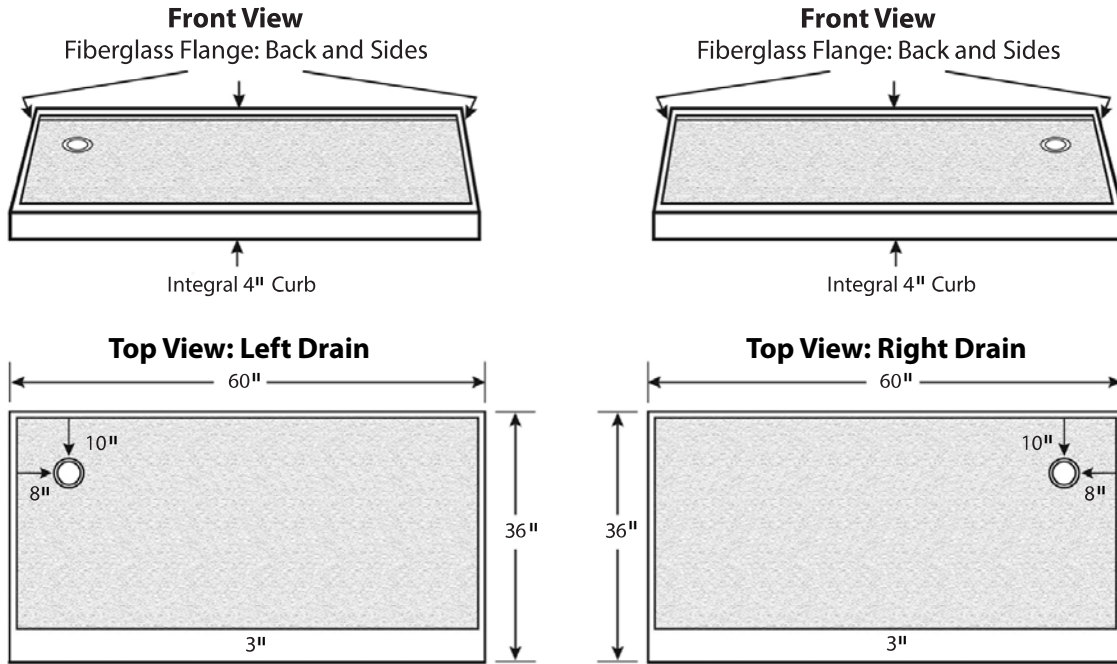
- ANSI Z124.1.2
- 2005 Tested by NAHB
- ASTM 1028-96
Coefficient of friction test
(minimum rating of .67)

Code compliant when fully equipped and installed according to guidelines.



SB60x36-10RCOD-xH-LC

60 X 36 SHOWER BASE WITH LH OR RH REAR CORNER OFFSET DRAIN
IMI LITECAST™



FEATURES Dimensional Tolerance $\pm 1/4"$. Dimensions needed for site preparation should be measured from the unit. American Bath Group assumes no responsibility for preparatory work.

Type and Model #	Material	Shower Base	Pieces
Shower Base #SB60x36-10RCOD-xH-LC	Cast Marble	Anti-Slip/Textured Finish	1

DIMENSIONS

Specifications	inches
Shower Base Depth:	36
Shower Base Width:	60
Curb Height:	4

Suggested Drains:



Solvent Weld type fitting similar to Oatey Part No. 42097



Compression type "No-Caulk" fitting similar to Oatey Part No. 42099

Rev. 08.16.21

SB60x36-16.50D-xH-LC

inches

60 X 36 SHOWER BASE WITH STANDARD LH OR RH OFFSET DRAIN IMI LITECAST™

Exterior Dimensions: 60W x 36D

Note: Base dimensions may vary +/- 1/8"

* Also available in IMI ProCast™



Material to be stacked on pallets.

COLOR & TRIM OPTIONS

Standard Color	Code
White	SW

Optional Color	Code
Cream	SC
Ivory	SI
Warm White	WW

Additional custom colors available.



Cast Marble Solutions

FEATURES

- Available in left-hand or right-hand version
- Fiberglass flange
- 3" wide thresholds on front
- Solid one-piece construction
- Pre-leveled, rests on subfloor
- Mold and mildew resistant
- Bacteria resistant
- "Grout-free" and non-porous
- Stain resistant and easy to clean
- Waterproof and leakproof

STANDARDS AND RATINGS

- ANSI Z124.1.2
- 2005 Tested by NAHB
- ASTM 1028-96
Coefficient of friction test
(minimum rating of .67)
- Typical CSI Code: 22 42 23 (Div 22)
- ANSI
- ASTM (Fire Rating)
- MAS Certified Green

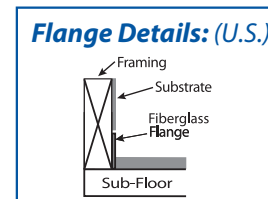
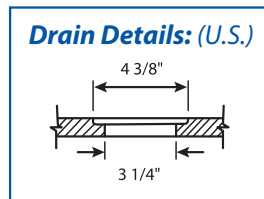
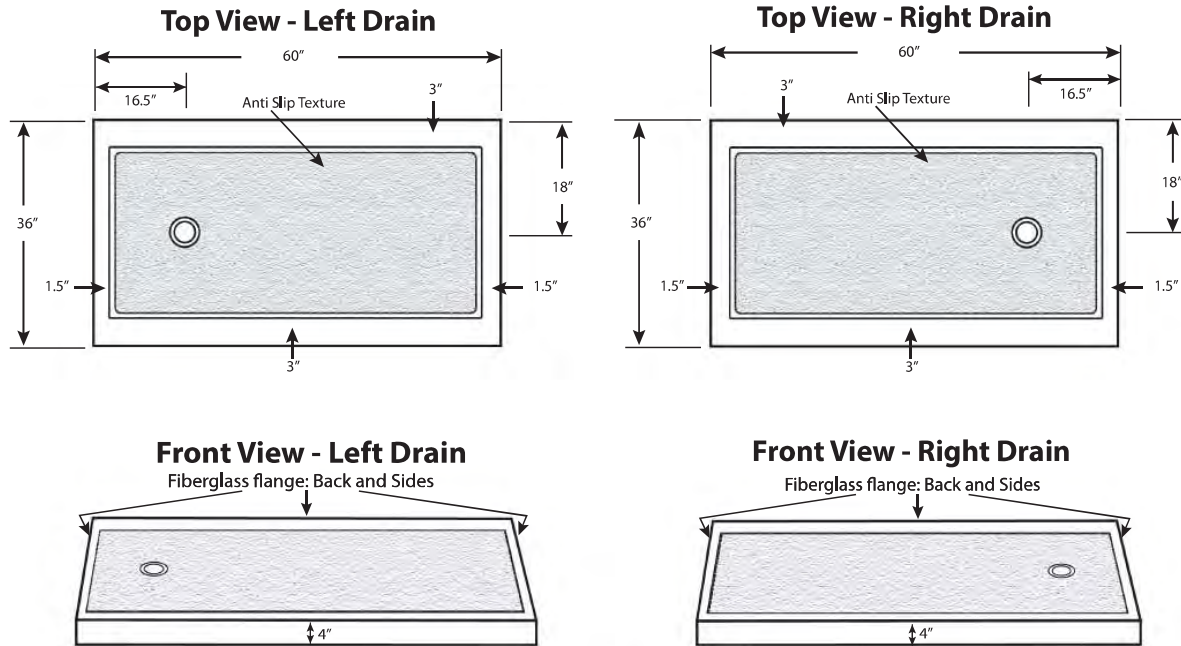
Code compliant when fully equipped and installed according to guidelines.



SB60x36-100D-xH-LC

60 X 36 SHOWER BASE WITH STANDARD LH OR RH OFFSET DRAIN

IMI LITECAST™



FEATURES Dimensional Tolerance $\pm 1/8"$. Dimensions needed for site preparation should be measured from the unit. American Bath Group assumes no responsibility for preparatory work.

Type and Model #	Material	Shower Base	Pieces
Shower Base #SB60x36-16.50D-xH-LC	Cast Marble	Anti-Slip/Textured Finish	1

DIMENSIONS

Specifications	inches
Shower Base Depth:	36
Shower Base Width:	60
Curb Height:	4

Suggested Drains:



Solvent Weld type fitting similar to Oatey Part No. 42097



Compression type "No-Caulk" fitting similar to Oatey Part No. 42099

Rev. 02.24.21

SB60x36-SSB-LC

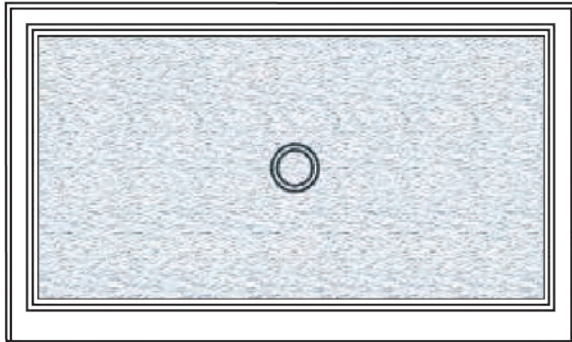
inches

60 X 36 SHOWER BASE WITH CENTER DRAIN IMI LITECAST™

Exterior Dimensions: 60W x 36D

Note: Base dimensions may vary +/- 1/4"

* Also available in IMI ProCast™



Material to be stacked on pallets.

COLOR & TRIM OPTIONS

Standard Color	Code
White	SW

Optional Color	Code
Cream	SC
Ivory	SI
Warm White	WW

Additional custom colors available.



Cast Marble Solutions

FEATURES

- 3" wide threshold
- Solid one-piece construction
- Pre-leveled, rests on subfloor
- Mold and mildew resistant
- Bacteria resistant
- "Grout-free" and non-porous
- Stain resistant and easy to clean
- Water proof and leak proof

STANDARDS AND RATINGS

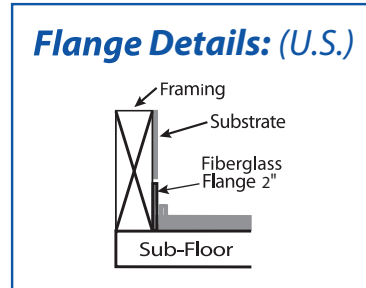
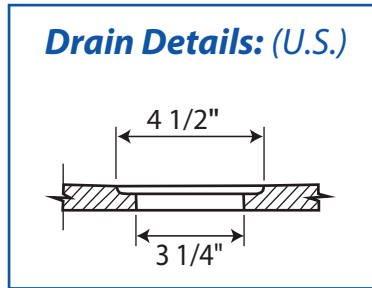
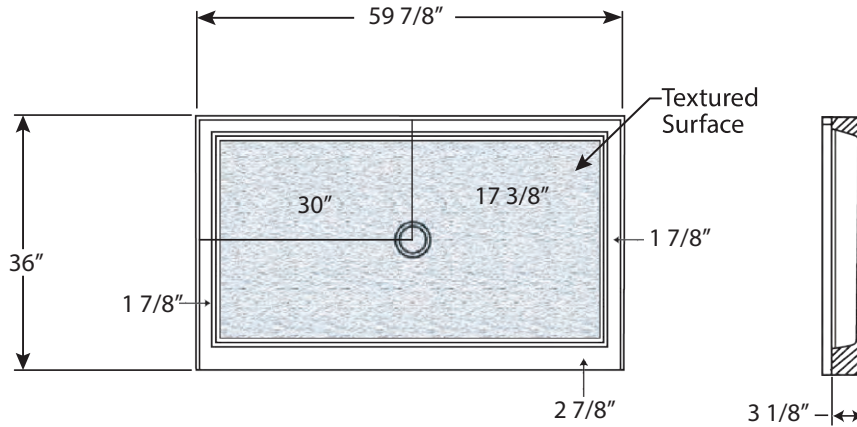
- Typical CSI Code: 22 42 23 (Div 22)
- ANSI
- ASTM (Fire Rating)
- MAS Certified Green

Code compliant when fully equipped and installed according to guidelines.



SB60x36-SSB-LC

60 X 36 SHOWER BASE WITH CENTER DRAIN
IMI LITECAST™





FEATURES Dimensional Tolerance $\pm 1/4$ ". Dimensions needed for site preparation should be measured from the unit. American Bath Group assumes no responsibility for preparatory work.

Type and Model #	Material	Shower Base	Pieces
Shower Base #SB60x36-SSB-LC	Cast Marble	Anti-Slip/Textured Finish	1

DIMENSIONS

Specifications	inches
Shower Base Depth:	36
Shower Base Width:	59 7/8
Curb Height:	3 1/8

SUGGESTED DRAINS

Image	Description
	Solvent Weld type fitting similar to Oatey Part No. 42097
	Compression type "No-Caulk" fitting similar to Oatey Part No. 42099

Rev. 08.16.21

SB60x38U-8.50D-FHA-LC

inches

60 X 38 SHOWER BASE WITH OFFSET DRAIN

IMI LITECAST™

Exterior Dimensions: 60W x 38D

Note: Base dimensions may vary +/- 1/4"

* Also available in IMI ProCast™



DESIGN SAMPLE

Material to be stacked on pallets.

COLOR & TRIM OPTIONS

Standard Color	Code
----------------	------

White SW

Optional Color	Code
----------------	------

Cream SC
Ivory SI
Warm White WW

Additional custom colors available.

FEATURES

- Available in left-hand or right-hand version
- Fiberglass flange
- 3" wide thresholds on front and back
- Solid one-piece construction
- Pre-leveled, rests on subfloor
- Mold and mildew resistant
- Bacteria resistant
- "Grout-free" and non-porous
- Stain resistant and easy to clean
- Waterproof and leakproof

STANDARDS AND RATINGS

- ANSI Z124.1.2
- 2005 Tested by NAHB
- ASTM 1028-96
Coefficient of friction test
(minimum rating of .67)
- Typical CSI Code: 22 42 23 (Div 22)
- ANSI
- ASTM (Fire Rating)
- MAS Certified Green

Code compliant when fully equipped and installed according to guidelines.



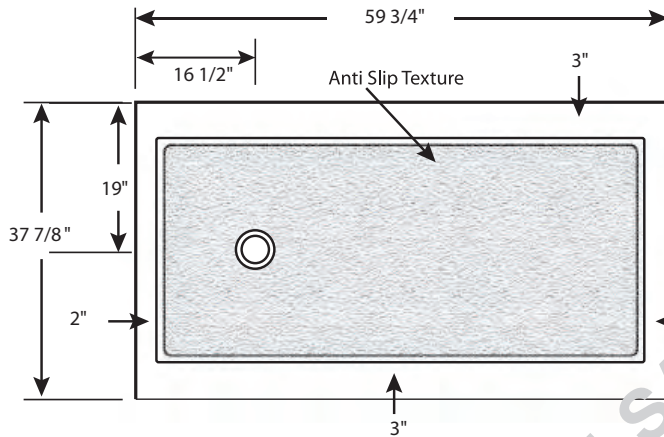
Cast Marble Solutions



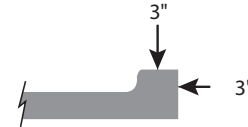
SB60x38U-8.50D-FHA-LC

60 X 38 SHOWER BASE WITH OFFSET DRAIN
IMI LITECAST™

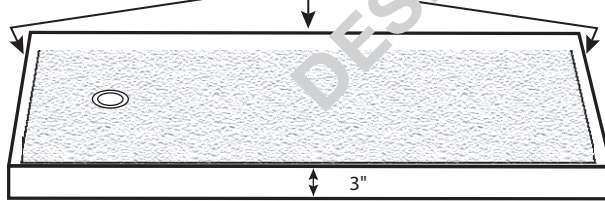
Top View - Left Drain



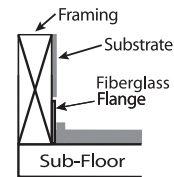
Side View of Curb



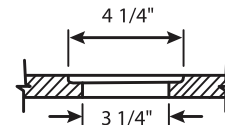
Front View - Left Drain
Fiberglass Flange: Back and Sides



Flange Details: (U.S.)



Drain Details: (U.S.)



FEATURES Dimensional Tolerance $\pm 1/4"$. Dimensions needed for site preparation should be measured from the unit. American Bath Group assumes no responsibility for preparatory work.

Type and Model #	Material	Shower Base	Pieces
Shower Base #SB60x38U-8.50D-LC	Cast Marble	Anti-Slip/Textured Finish	1

DIMENSIONS

Specifications	inches
Shower Base Depth:	37 7/8
Shower Base Width:	59 3/4
Curb Height:	3
Curb Width:	3

Suggested Drains:



Solvent Weld type fitting similar to Oatey Part No. 42097



Compression type "No-Caulk" fitting similar to Oatey Part No. 42099

Rev. 11.30.21

SB60x38-16.50D-xH-FHA-LC

inches

60 X 38 SHOWER BASE WITH STANDARD LH OR RH OFFSET DRAIN IMI LITECAST™

Exterior Dimensions: 60W x 38D

Note: Base dimensions may vary +/- 1/4"

* Also available in IMI ProCast™



FEATURES

- Available in left-hand or right-hand version
- Fiberglass flange
- 3" wide thresholds on front and back
- Solid one-piece construction
- Pre-leveled, rests on subfloor
- Mold and mildew resistant
- Bacteria resistant
- "Grout-free" and non-porous
- Stain resistant and easy to clean
- Waterproof and leakproof

STANDARDS AND RATINGS

- ANSI Z124.1.2
- 2005 Tested by NAHB
- ASTM 1028-96
Coefficient of friction test
(minimum rating of .67)
- Typical CSI Code: 22 42 23 (Div 22)
- ANSI
- ASTM (Fire Rating)
- MAS Certified Green

Code compliant when fully equipped and installed according to guidelines.

Material to be stacked on pallets.

COLOR & TRIM OPTIONS

Standard Color	Code
----------------	------

White	SW
-------	----

Optional Color	Code
----------------	------

Cream	SC
Ivory	SI
Warm White	WW

Additional custom colors available.



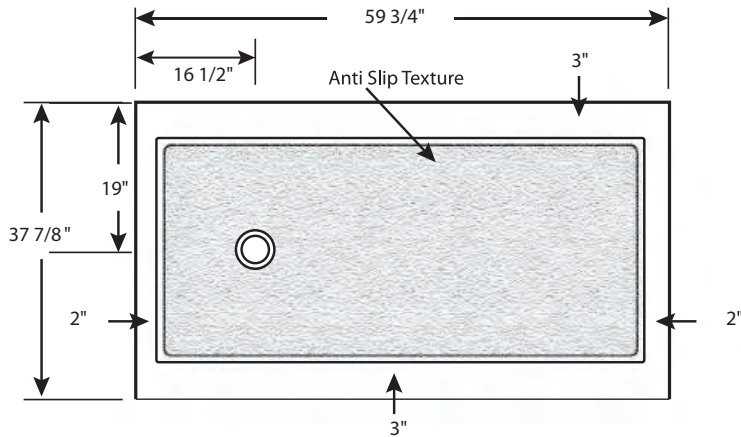
Cast Marble Solutions



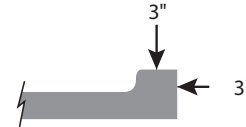
SB60x38-16.50D-xH-FHA-LC

60 X 38 SHOWER BASE WITH STANDARD LH OR RH OFFSET DRAIN
IMI LITECAST™

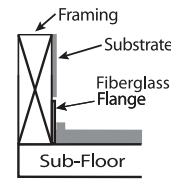
Top View - Left Drain



Side View of Curb

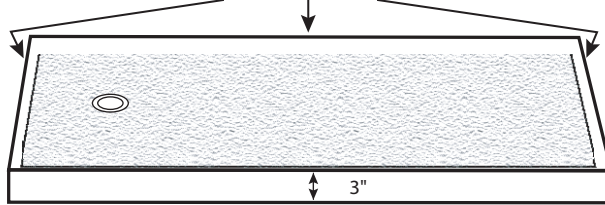


Flange Details: (U.S.)

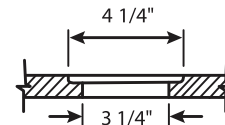


Front View - Left Drain

Fiberglass Flange: Back and Sides



Drain Details: (U.S.)



FEATURES Dimensional Tolerance $\pm 1/4$ ". Dimensions needed for site preparation should be measured from the unit. American Bath Group assumes no responsibility for preparatory work.

Type and Model #	Material	Shower Base	Pieces
Shower Base #SB60x38-16.50D-xH-LC	Cast Marble	Anti-Slip/Textured Finish	1

DIMENSIONS

Specifications	inches
Shower Base Depth:	37 7/8
Shower Base Width:	59 3/4
Curb Height:	3
Curb Width:	3

Suggested Drains:



Solvent Weld type fitting similar to Oatey Part No. 42097



Compression type "No-Caulk" fitting similar to Oatey Part No. 42099

Rev. 08.13.21

SB60x39-4TD-xH-LC

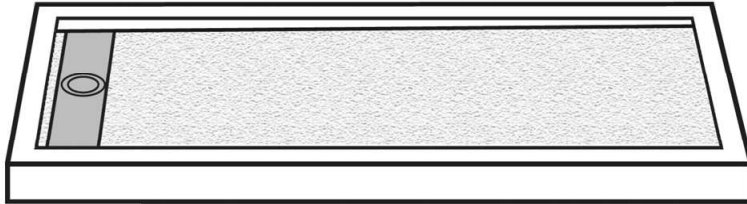
inches

60 X 39 SHOWER BASE WITH 4" TRENCH DRAIN IMI LITECAST™

Exterior Dimensions: 60W x 39D

Note: Base dimensions may vary +/- 1/4"

* Also available in IMI ProCast™



FEATURES

- Available in Left Hand and Right Hand version
- Fiberglass flange
- 3" wide thresholds on front and back (Universal)
- 1 3/4" wide thresholds on back and sides
- Solid one-piece construction
- Pre-leveled, rests on subfloor
- Mold and mildew resistant
- Bacteria resistant
- "Grout-free" and non-porous
- Stain resistant and easy to clean
- Waterproof and leakproof

STANDARDS AND RATINGS

- Typical CSI Code: 22 42 23 (Div 22)
- ANSI
- ASTM (Fire Rating)
- MAS Certified Green

Code compliant when fully equipped and installed according to guidelines.

Material to be stacked on pallets.

DRAIN FINISHES

Solid Cover	Code
Brushed Stainless Steel	SS
Ornamental (Slotted)	OSS
Decorative (Perforated)	DSS
Powder Coated	W, MB

COLOR & TRIM OPTIONS

Standard Color	Code
White	SW
Optional Color	Code
Cream	SC
Ivory	SI
Warm White	WW

Additional custom colors available.

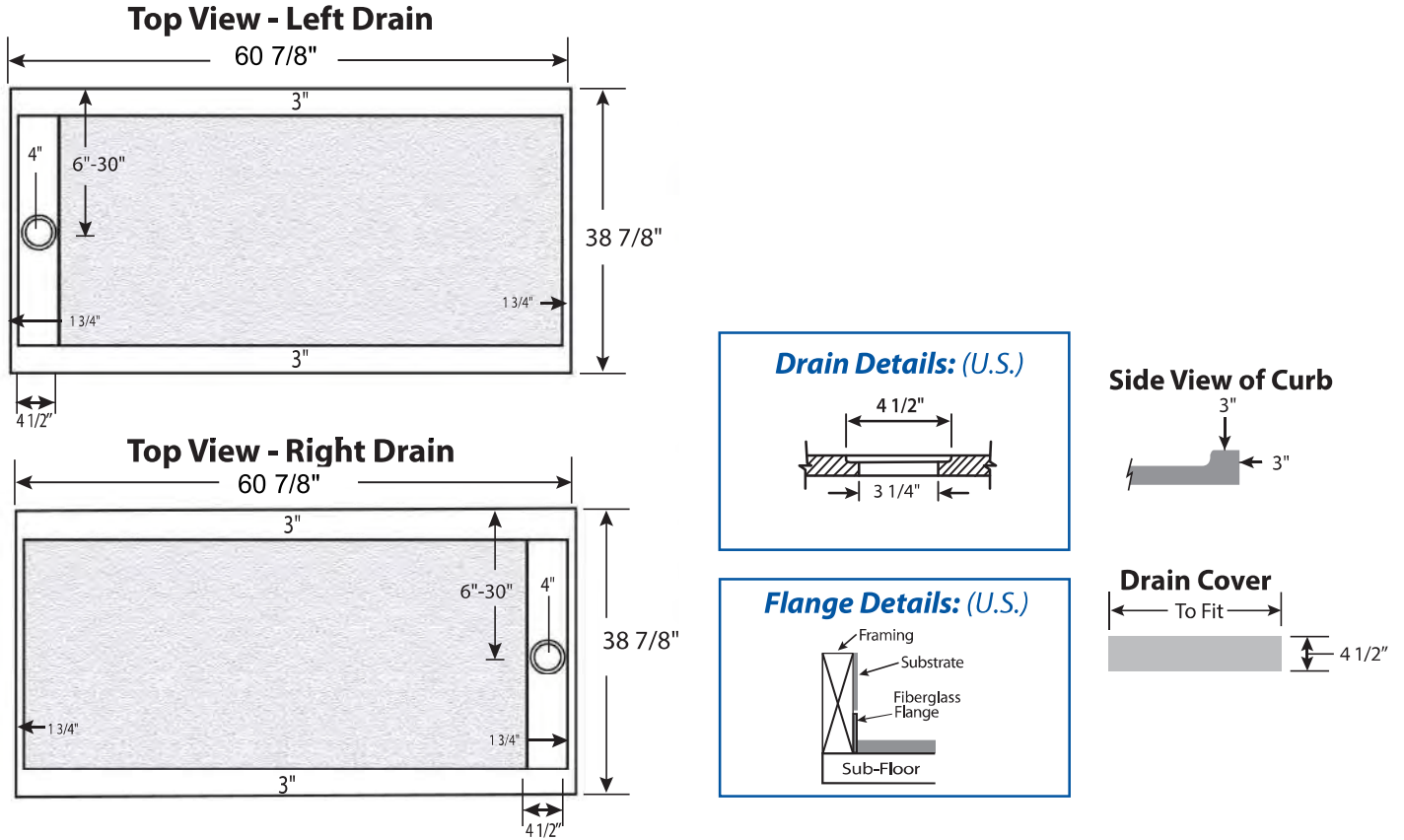


Cast Marble Solutions



SB60x39-4TD-xH-LC

60 X 39 SHOWER BASE WITH 4" TRENCH DRAIN
IMI LITECAST™



FEATURES Dimensional Tolerance $\pm 1/4"$. Dimensions needed for site preparation should be measured from the unit. American Bath Group assumes no responsibility for preparatory work.

Type and Model #	Material	Shower Base	Pieces
Shower Base #SB60x39-4TD-xH-LC	Cast Marble	Anti-Slip/Textured Finish	1

DIMENSIONS

Specifications	inches
Shower Base Depth:	38 7/8
Shower Base Width:	60 7/8
Curb Height:	3
Curb Width:	3

Suggested Drains:



Solvent Weld type fitting similar to Oatey Part No. 42097



Compression type "No-Caulk" fitting similar to Oatey Part No. 42099

Rev. 08.16.21

SB60x42-7.50D-xH-LC

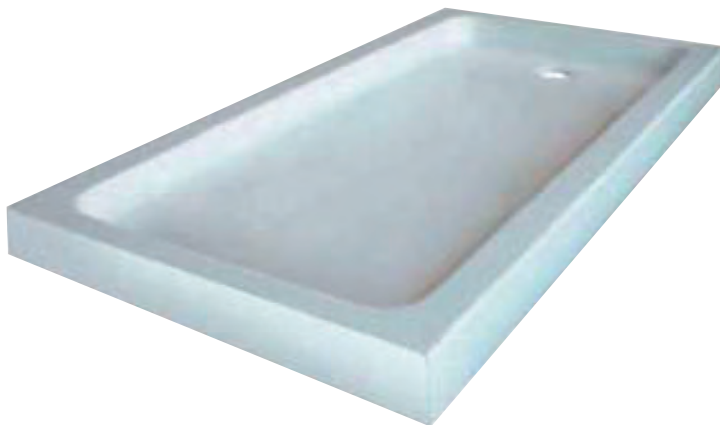
inches

60 X 42 SHOWER BASE WITH STANDARD LH OR RH OFFSET DRAIN IMI LITECAST™

Exterior Dimensions: 60W x 42D

Note: Base dimensions may vary +/- 1/4"

* Also available in IMI ProCast™



Material to be stacked on pallets.

COLOR & TRIM OPTIONS

Standard Color	Code
White	SW

Optional Color	Code
Cream	SC
Ivory	SI
Warm White	WW

Additional custom colors available.

FEATURES

- Available in left-hand or right-hand version
- Designed for tub replacements
- Three strips of fiberglass included for install
- 3" wide thresholds on each side—back wall area can be trimmed to fit a 30" deep cavity
- Solid one-piece construction
- Pre-leveled, rests on subfloor
- Mold and mildew resistant
- Bacteria resistant
- "Grout-free" and non-porous
- Stain resistant and easy to clean
- Waterproof and leakproof

STANDARDS AND RATINGS

- ANSI Z124.1.2
- 2005 Tested by NAHB
- ASTM 1028-96
Coefficient of friction test
(minimum rating of .67)
- Typical CSI Code: 22 42 23 (Div 22)
- ANSI
- ASTM (Fire Rating)
- MAS Certified Green

Code compliant when fully equipped and installed according to guidelines.

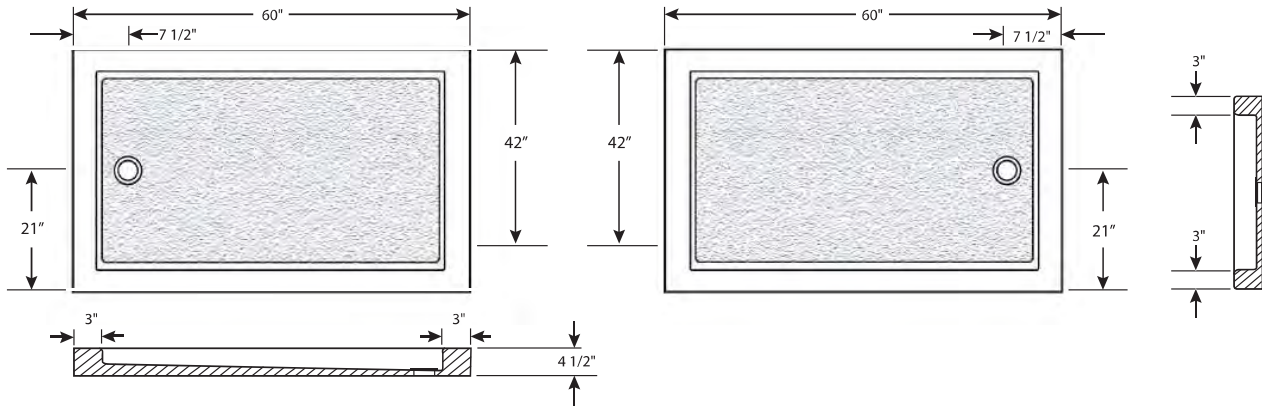


Cast Marble Solutions

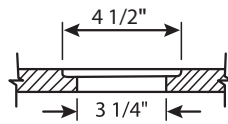


SB60x42-7.50D-xH-LC

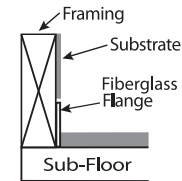
60 X 42 SHOWER BASE WITH STANDARD LH OR RH OFFSET DRAIN
IMI LITECAST™



Drain Details: (U.S.)



Flange Details: (U.S.)



FEATURES Dimensional Tolerance $\pm 1/4"$. Dimensions needed for site preparation should be measured from the unit. American Bath Group assumes no responsibility for preparatory work.

Type and Model #	Material	Shower Base	Pieces
Shower Base #SB60x42-7.50D-xH-LC	Cast Marble	Anti-Slip/Textured Finish	1

DIMENSIONS

Specifications	inches
Shower Base Depth:	42
Shower Base Width:	60
Curb Height:	4 1/2

Suggested Drains:



Solvent Weld type fitting similar to Oatey Part No. 42097



Compression type "No-Caulk" fitting similar to Oatey Part No. 42099

Rev. 08.16.21

SB60x42-SSB-LC

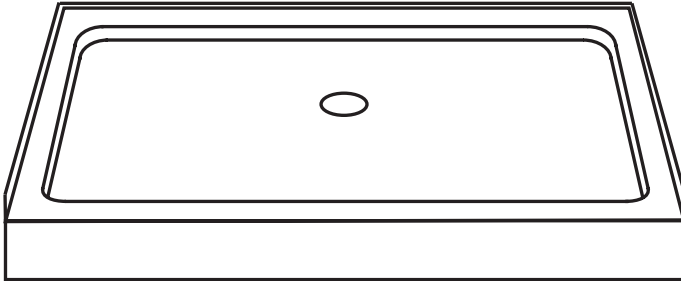
inches

60 X 42 SHOWER BASE WITH CENTER DRAIN IMI LITECAST™

Exterior Dimensions: 60W x 42D

Note: Base dimensions may vary +/- 1/8"

* Also available in IMI ProCast™



FEATURES

- 3" x 4" high integral curb
- Fiberglass flange attached at factory
- Solid one-piece construction
- Pre-leveled, rests on subfloor
- Mold and mildew resistant
- Bacteria resistant
- "Grout-free" and non-porous
- Stain resistant and easy to clean
- Water proof and leak proof

STANDARDS AND RATINGS

- Typical CSI Code: 22 42 23 (Div 22)
- ANSI
- ASTM (Fire Rating)
- MAS Certified Green

Code compliant when fully equipped and installed according to guidelines.

Material to be stacked on pallets.

COLOR & TRIM OPTIONS

Standard Color	Code
----------------	------

White SW

Optional Color	Code
----------------	------

Cream SC
Ivory SI
Warm White WW

Additional custom colors available.



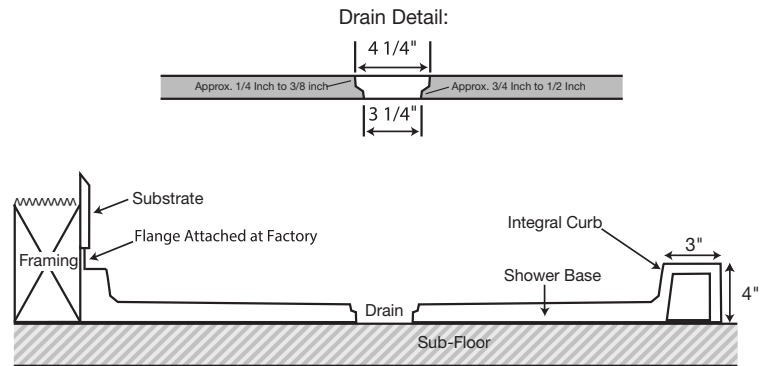
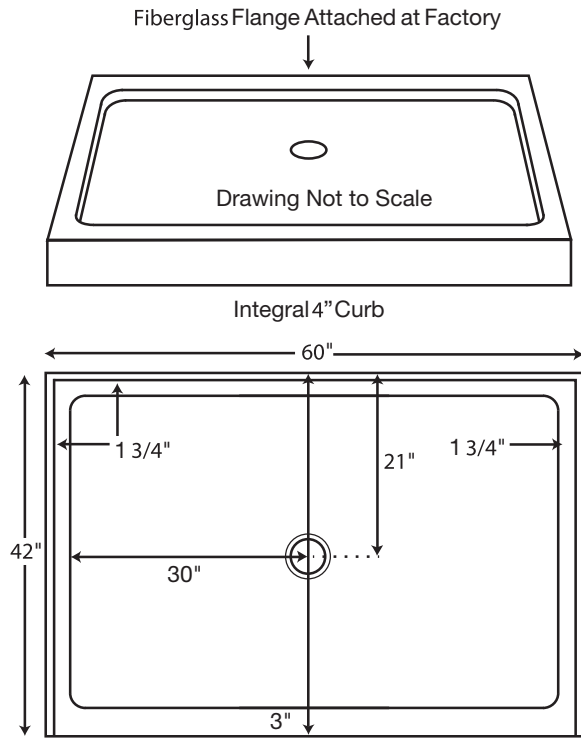
Cast Marble Solutions



SB60x42-SSB-LC

60 X 42 SHOWER BASE WITH CENTER DRAIN

IMI LITECAST™



Drain not included.



FEATURES Dimensional Tolerance $\pm 1/8"$. Dimensions needed for site preparation should be measured from the unit. American Bath Group assumes no responsibility for preparatory work.

Type and Model #	Material	Shower Base	Pieces
Shower Base #SB60x42-SSB-LC	Cast Marble	Anti-Slip/Textured Finish	1

DIMENSIONS

Specifications	inches
Shower Base Depth:	42
Shower Base Width:	60
Curb Height:	4

SUGGESTED DRAINS

Image	Description
	Solvent Weld type fitting similar to Oatey Part No. 42097
	Compression type "No-Caulk" fitting similar to Oatey Part No. 42099

Rev. 04.06.21

SB60x42U-4TD-xH-LC

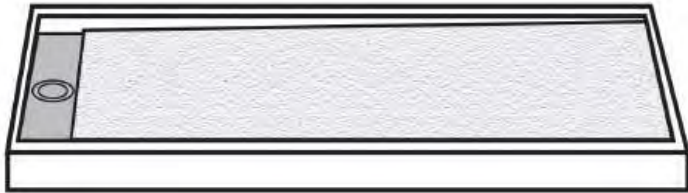
inches

60 X 42 SHOWER BASE WITH 4" TRENCH DRAIN IMI LITECAST™

Exterior Dimensions: 59 7/8" W x 41 7/8" D

Note: Base dimensions may vary +/- 1/4"

* Also available in IMI ProCast™



Material to be stacked on pallets.

DRAIN FINISHES

Solid Cover	Code
Brushed Stainless Steel	SS
Ornamental (Slotted)	OSS
Decorative (Perforated)	DSS
Powder Coated	W, MB

COLOR & TRIM OPTIONS

Standard Color	Code
White	SW
Optional Color	Code
Cream	SC
Ivory	SI
Warm White	WW

Additional custom colors available.



Cast Marble Solutions

FEATURES

- Available in Left Hand and Right Hand version
- Fiberglass Flange
- 3" Wide Thresholds on Front
- Solid one-piece construction
- Pre-leveled, rests on subfloor
- Mold and mildew resistant
- Bacteria resistant
- "Grout-free" and non-porous
- Stain resistant and easy to clean
- Waterproof and leakproof

STANDARDS AND RATINGS

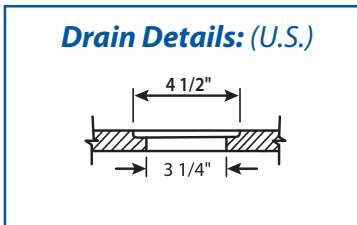
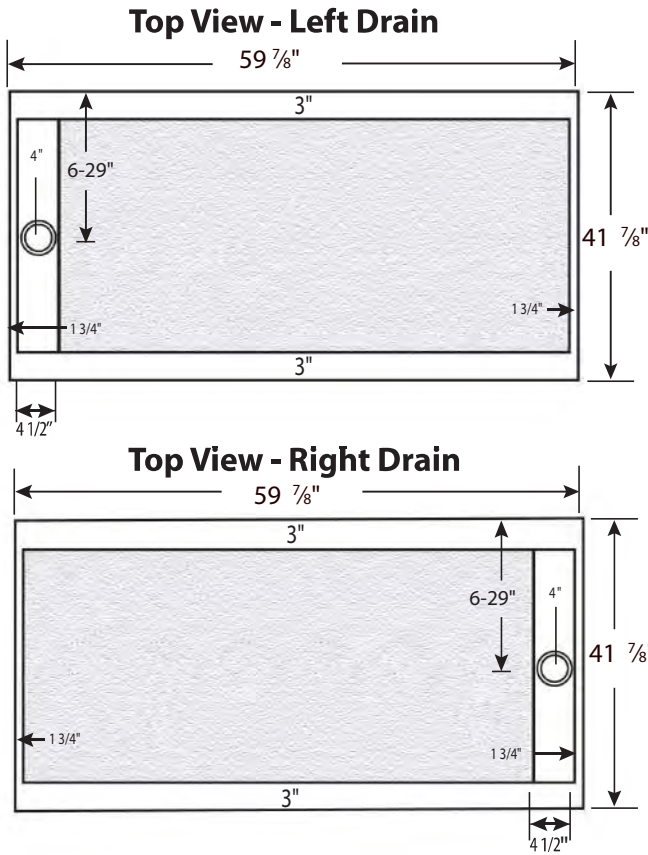
- Typical CSI Code: 22 42 23 (Div 22)
- ANSI
- ASTM (Fire Rating)
- MAS Certified Green

Code compliant when fully equipped and installed according to guidelines.

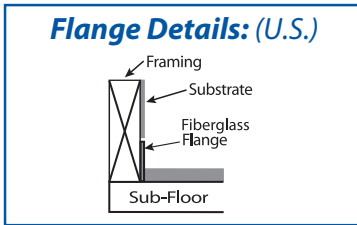
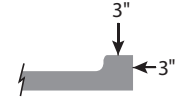


SB60x42U-4TD-xH-LC

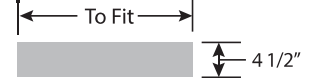
60 X 42 SHOWER BASE WITH 4" TRENCH DRAIN
IMI LITECAST™



Side View of Curb



Drain Cover



FEATURES Dimensional Tolerance $\pm 1/4$ ". Dimensions needed for site preparation should be measured from the unit. American Bath Group assumes no responsibility for preparatory work.

Type and Model #	Material	Shower Base	Pieces
Shower Base #SB60x42-4TD-xH-LC	Cast Marble	Anti-Slip/Textured Finish	1

DIMENSIONS

Specifications	inches
Shower Base Depth:	41 7/8
Shower Base Width:	59 7/8
Curb Height:	3
Curb Width:	3

Suggested Drains:



Solvent Weld type fitting similar to Oatey Part No. 42097



Compression type "No-Caulk" fitting similar to Oatey Part No. 42099

SB60x39-4TD-xH-LC

inches

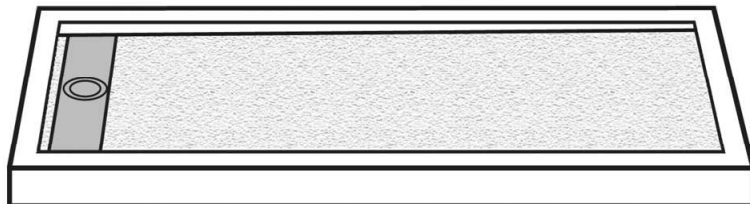
60 X 39 SHOWER BASE WITH 4" TRENCH DRAIN

IMI LITECAST™

Exterior Dimensions: 60W x 39D

Note: Base dimensions may vary +/- 1/4"

* Also available in IMI ProCast™



FEATURES

- Available in Left Hand and Right Hand version
- Fiberglass flange
- 3" wide thresholds on front and back (Universal)
- 1 3/4" wide thresholds on back and sides
- Solid one-piece construction
- Pre-leveled, rests on subfloor
- Mold and mildew resistant
- Bacteria resistant
- "Grout-free" and non-porous
- Stain resistant and easy to clean
- Waterproof and leakproof

STANDARDS AND RATINGS

- Typical CSI Code: 22 42 23 (Div 22)
- ANSI
- ASTM (Fire Rating)
- MAS Certified Green

Code compliant when fully equipped and installed according to guidelines.

Material to be stacked on pallets.

DRAIN FINISHES

Solid Cover	Code
Brushed Stainless Steel	SS
Ornamental (Slotted)	OSS
Decorative (Perforated)	DSS
Powder Coated	W, MB

COLOR & TRIM OPTIONS

Standard Color	Code
White	SW

Optional Color	Code
Cream	SC
Ivory	SI
Warm White	WW

Additional custom colors available.

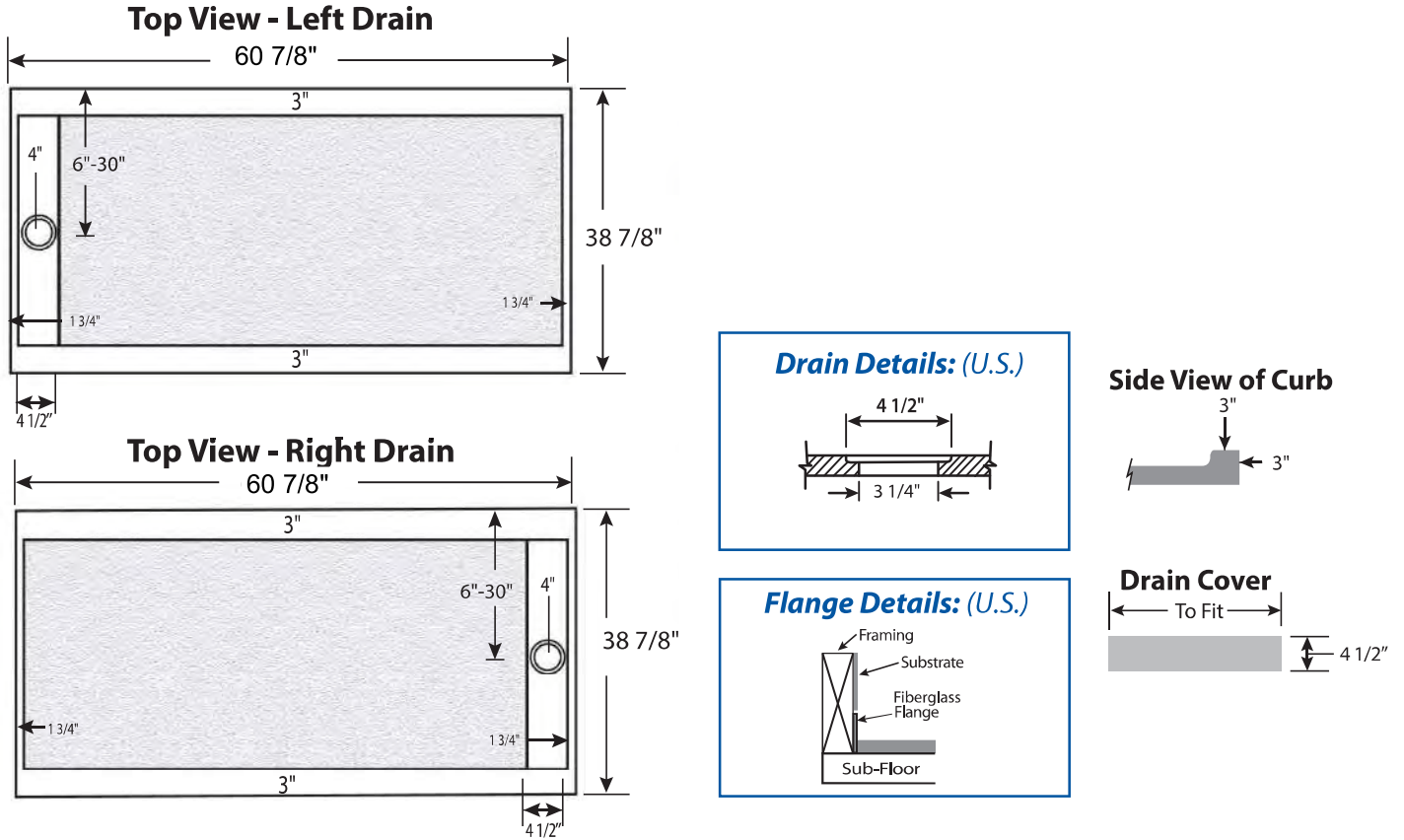


Cast Marble Solutions



SB60x39-4TD-xH-LC

60 X 39 SHOWER BASE WITH 4" TRENCH DRAIN
IMI LITECAST™



FEATURES Dimensional Tolerance $\pm 1/4"$. Dimensions needed for site preparation should be measured from the unit. American Bath Group assumes no responsibility for preparatory work.

Type and Model #	Material	Shower Base	Pieces
Shower Base #SB60x39-4TD-xH-LC	Cast Marble	Anti-Slip/Textured Finish	1

DIMENSIONS

Specifications	inches
Shower Base Depth:	38 7/8
Shower Base Width:	60 7/8
Curb Height:	3
Curb Width:	3

Suggested Drains:



Solvent Weld type fitting similar to Oatey Part No. 42097



Compression type "No-Caulk" fitting similar to Oatey Part No. 42099

SB66x34-3.5TD-xH-LC

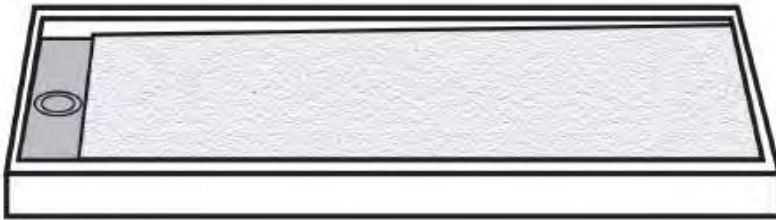
inches

66 X 34 SHOWER BASE WITH 3 ½" TRENCH DRAIN IMI LITECAST™

Exterior Dimensions: 66W x 34D

Note: Base dimensions may vary +/- ¼"

* Also available in IMI ProCast™



Material to be stacked on pallets.

DRAIN FINISHES

Solid Cover	Code
Brushed Stainless Steel	SS
Ornamental (Slotted)	OSS
Decorative (Perforated)	DSS
Powder Coated	W, MB

COLOR & TRIM OPTIONS

Standard Color	Code
White	SW

Optional Color	Code
Cream	SC
Ivory	SI
Warm White	WW

Additional custom colors available.



Cast Marble Solutions

FEATURES

- Available in Left Hand and Right Hand version
- Fiberglass Flange
- 3" Wide Thresholds on Front
- Solid one-piece construction
- Pre-leveled, rests on subfloor
- Mold and mildew resistant
- Bacteria resistant
- "Grout-free" and non-porous
- Stain resistant and easy to clean
- Waterproof and leakproof

STANDARDS AND RATINGS

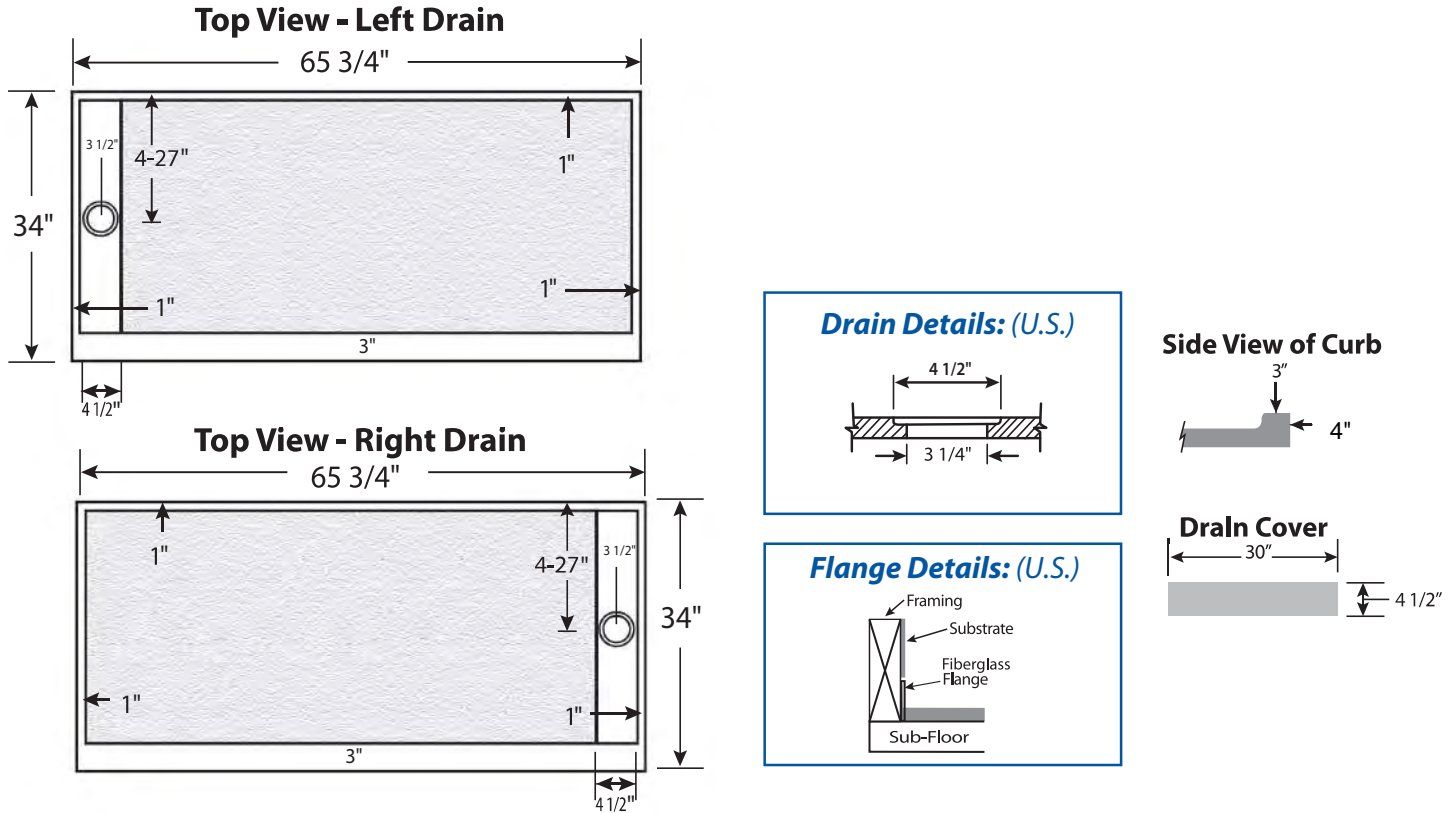
- Typical CSI Code: 22 42 23 (Div 22)
- ANSI
- ASTM (Fire Rating)
- MAS Certified Green

Code compliant when fully equipped and installed according to guidelines.



SB66x34-3.5TD-xH-LC

66 X 34 SHOWER BASE WITH 3 1/2" TRENCH DRAIN
IMI LITECAST™



FEATURES Dimensional Tolerance $\pm 1/4"$. Dimensions needed for site preparation should be measured from the unit. American Bath Group assumes no responsibility for preparatory work.

Type and Model #	Material	Shower Base	Pieces
Shower Base #SB66x34-3.5TD-xH-LC	Cast Marble	Anti-Slip/Textured Finish	1

DIMENSIONS

Specifications	inches
Shower Base Depth:	34
Shower Base Width:	65 3/4
Curb Height:	3
Curb Width:	3

Suggested Drains:



Solvent Weld type fitting similar to Oatey Part No. 42097



Compression type "No-Caulk" fitting similar to Oatey Part No. 42099

SB66x36-4TD-xH-LC

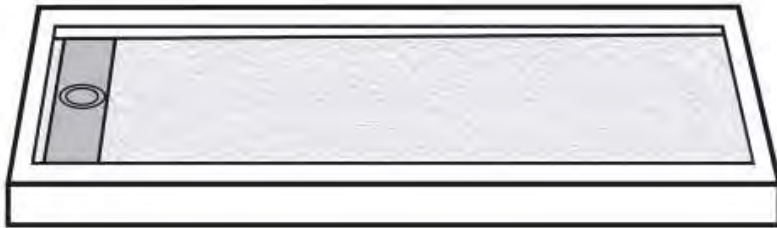
inches

66 X 36 LH OR RH SHOWER BASE WITH 4" TRENCH DRAIN IMI LITECAST™

Exterior Dimensions: 66W x 36D

Note: Base dimensions may vary +/- 1/4"

* Also available in IMI ProCast™



Material to be stacked on pallets.

DRAIN FINISHES

Solid Cover	Code
Brushed Stainless Steel	SS
Ornamental (Slotted)	OSS
Decorative (Perforated)	DSS
Powder Coated	W, MB

COLOR & TRIM OPTIONS

Standard Color	Code
White	SW

Optional Color	Code
Cream	SC
Ivory	SI
Warm White	WW

Additional custom colors available.



Cast Marble Solutions

FEATURES

- Fiberglass Flange
- Left or right drain
- Pre-sloped to drain
- Solid one-piece construction
- Pre-leveled, rests on subfloor
- Mold and mildew resistant
- Bacteria resistant
- "Grout-free" and non-porous
- Stain resistant and easy to clean
- Waterproof and leakproof

STANDARDS AND RATINGS

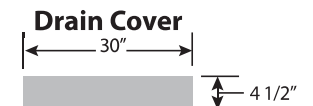
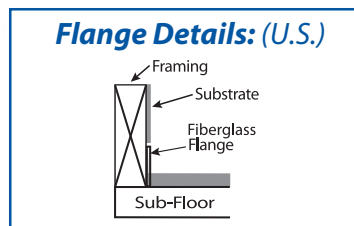
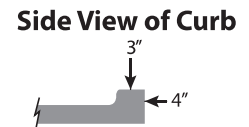
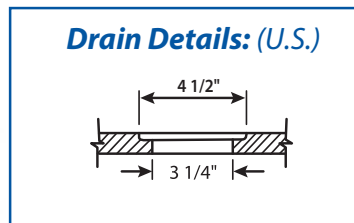
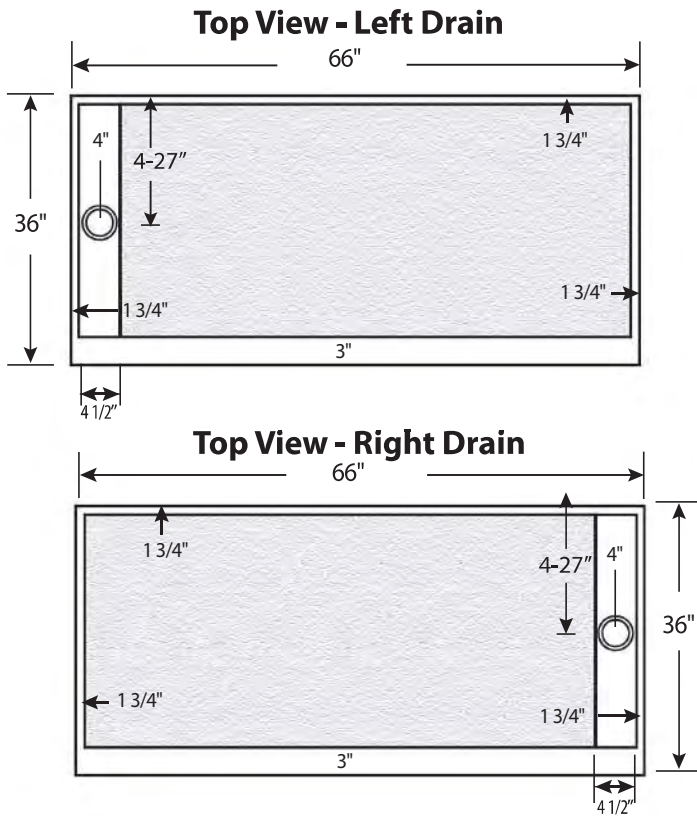
- Typical CSI Code: 22 42 23 (Div 22)
- ANSI
- ASTM (Fire Rating)
- MAS Certified Green

Code compliant when fully equipped and installed according to guidelines.



SB66x36-4TD-xH-LC

66 X 36 LH OR RH SHOWER BASE WITH 4" TRENCH DRAIN
IMI LITECAST™



FEATURES Dimensional Tolerance $\pm 1/4$ ". Dimensions needed for site preparation should be measured from the unit. American Bath Group assumes no responsibility for preparatory work.

Type and Model #	Material	Shower Base	Pieces
Shower Base #SB66x36-4TD-xH-LC	Cast Marble	Anti-Slip/Textured Finish	1

DIMENSIONS

Specifications	inches
Shower Base Depth:	36
Shower Base Width:	66
Curb Height:	4
Curb Width:	3

Suggested Drains:



Solvent Weld type fitting similar to Oatey Part No. 42097



Compression type "No-Caulk" fitting similar to Oatey Part No. 42099

Rev. 08.16.21

SB66x36-8TD-xH-LC

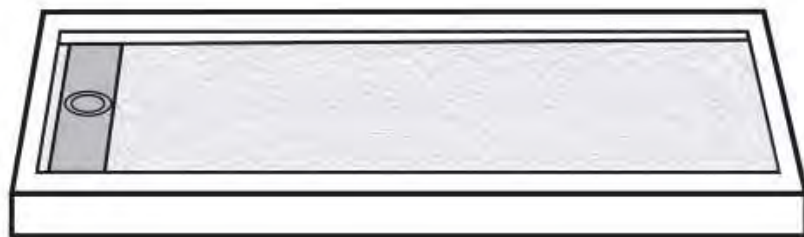
inches

66 X 36 LH OR RH SHOWER BASE WITH 8" TRENCH DRAIN IMI LITECAST™

Exterior Dimensions: 66W x 36D

Note: Base dimensions may vary +/- 1/4"

* Also available in IMI ProCast™



FEATURES

- Fiberglass Flange
- Left or right drain
- Pre-sloped to drain
- Solid one-piece construction
- Pre-leveled, rests on subfloor
- Mold and mildew resistant
- Bacteria resistant
- "Grout-free" and non-porous
- Stain resistant and easy to clean
- Waterproof and leakproof

STANDARDS AND RATINGS

- Typical CSI Code: 22 42 23 (Div 22)
- ANSI
- ASTM (Fire Rating)
- MAS Certified Green

Code compliant when fully equipped and installed according to guidelines.

Material to be stacked on pallets.

DRAIN FINISHES

Solid Cover	Code
Brushed Stainless Steel	SS
Ornamental (Slotted)	OSS
Decorative (Perforated)	DSS
Powder Coated	W, MB

COLOR & TRIM OPTIONS

Standard Color	Code
White	SW
Optional Color	Code
Cream	SC
Ivory	SI
Warm White	WW

Additional custom colors available.

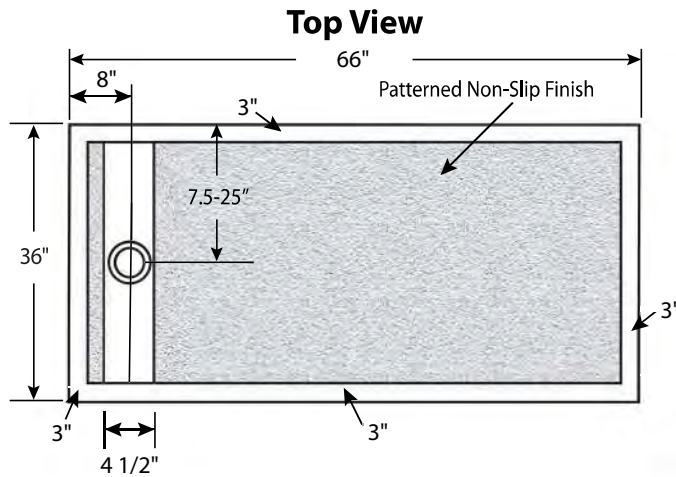


Cast Marble Solutions

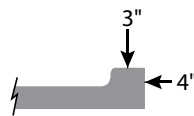


SB66x36-8TD-xH-LC

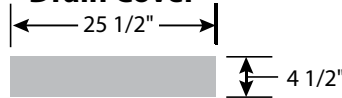
66 X 36 LH OR RH SHOWER BASE WITH 8" TRENCH DRAIN
IMI LITECAST™



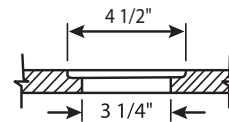
Side View of Curb



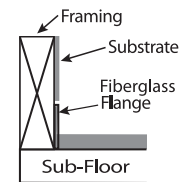
Drain Cover



Drain Details: (U.S.)



Flange Details: (U.S.)



FEATURES Dimensional Tolerance $\pm 1/4$ ". Dimensions needed for site preparation should be measured from the unit. American Bath Group assumes no responsibility for preparatory work.

Type and Model #	Material	Shower Base	Pieces
Shower Base #SB66x36-8TD-xH-LC	Cast Marble	Anti-Slip/Textured Finish	1

DIMENSIONS

Specifications	inches
Shower Base Depth:	36
Shower Base Width:	66
Curb Height:	4
Curb Width:	3

Suggested Drains:



Solvent Weld type fitting similar to Oatey Part No. 42097



Compression type "No-Caulk" fitting similar to Oatey Part No. 42099

SB66x42-6.5TD-xH-LC

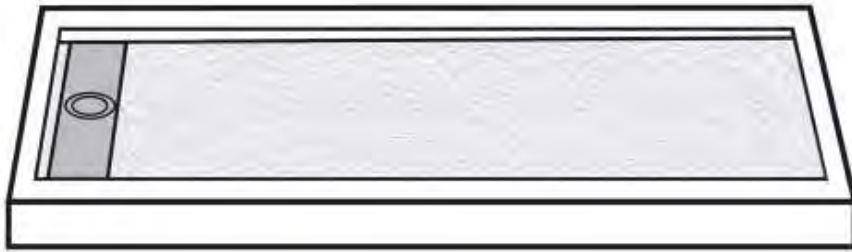
inches

66 X 42 LH OR RH SHOWER BASE WITH 6.5" TRENCH DRAIN IMI LITECAST™

Exterior Dimensions: 66W x 42D

Note: Base dimensions may vary +/- 1/4"

* Also available in IMI ProCast™



FEATURES

- Fiberglass Flange
- Left or right drain
- Pre-sloped to drain
- Solid one-piece construction
- Pre-leveled, rests on subfloor
- Mold and mildew resistant
- Bacteria resistant
- "Grout-free" and non-porous
- Stain resistant and easy to clean
- Waterproof and leakproof

STANDARDS AND RATINGS

- Typical CSI Code: 22 42 23 (Div 22)
- ANSI
- ASTM (Fire Rating)
- MAS Certified Green, IAPMO Certified

Code compliant when fully equipped and installed according to guidelines.

Material to be stacked on pallets.

DRAIN FINISHES

Solid Cover	Code
Brushed Stainless Steel	SS
Ornamental (Slotted)	OSS
Decorative (Perforated)	DSS
Powder Coated	W, MB

COLOR & TRIM OPTIONS

Standard Color	Code
White	SW
Optional Color	Code
Cream	SC
Ivory	SI
Warm White	WW

Additional custom colors available.

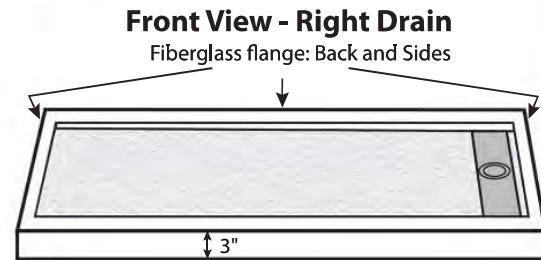
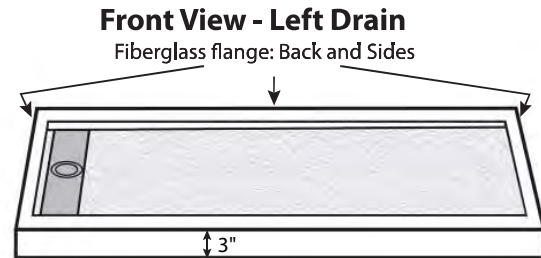
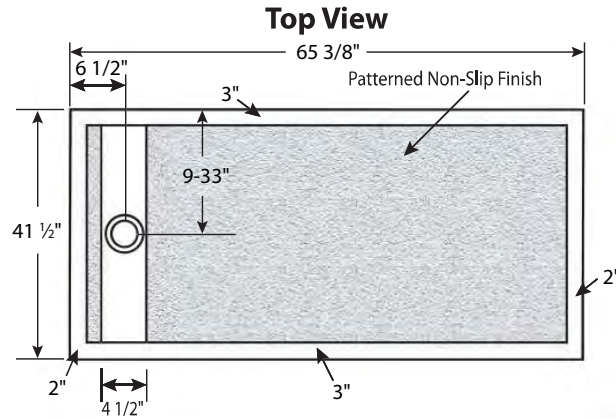


Cast Marble Solutions

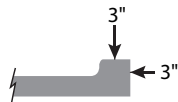


SB66x42-6.5TD-xH-LC

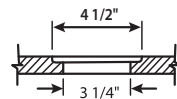
66 X 42 LH OR RH SHOWER BASE WITH 6.5" TRENCH DRAIN
IMI LITECAST™



Side View of Curb



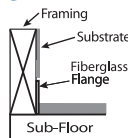
Drain Details: (U.S.)



Drain Cover



Flange Details: (U.S.)



FEATURES Dimensional Tolerance $\pm 1/4$ ". Dimensions needed for site preparation should be measured from the unit. American Bath Group assumes no responsibility for preparatory work.

Type and Model #	Material	Shower Base	Pieces
Shower Base #SB66x42-6.5TD-xH-LC	Cast Marble	Anti-Slip/Textured Finish	1

DIMENSIONS

Specifications	inches
Shower Base Depth:	42
Shower Base Width:	66
Curb Height:	3
Curb Width:	3

Suggested Drains:



Solvent Weld type fitting similar to Oatey Part No. 42097



Compression type "No-Caulk" fitting similar to Oatey Part No. 42099

SB72x34-4TD-xH-LC

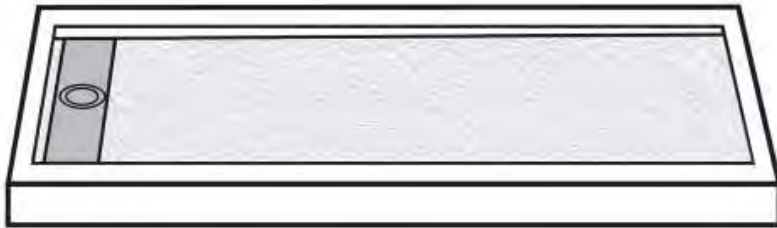
inches

72 X 34 LH OR RH SHOWER BASE WITH 4" TRENCH DRAIN IMI LITECAST™

Exterior Dimensions: 72W x 34D

Note: Base dimensions may vary +/- 1/4"

* Also available in IMI ProCast™



FEATURES

- Fiberglass Flange
- Left or right drain
- Pre-sloped to drain
- Solid one-piece construction
- Pre-leveled, rests on subfloor
- Mold and mildew resistant
- Bacteria resistant
- "Grout-free" and non-porous
- Stain resistant and easy to clean
- Waterproof and leakproof

STANDARDS AND RATINGS

- Typical CSI Code: 22 42 23 (Div 22)
- ANSI
- ASTM (Fire Rating)
- MAS Certified Green

Code compliant when fully equipped and installed according to guidelines.

Material to be stacked on pallets.

DRAIN FINISHES

Solid Cover	Code
Brushed Stainless Steel	SS
Ornamental (Slotted)	OSS
Decorative (Perforated)	DSS
Powder Coated	W, MB

COLOR & TRIM OPTIONS

Standard Color	Code
White	SW
Optional Color	Code
Cream	SC
Ivory	SI
Warm White	WW

Additional custom colors available.



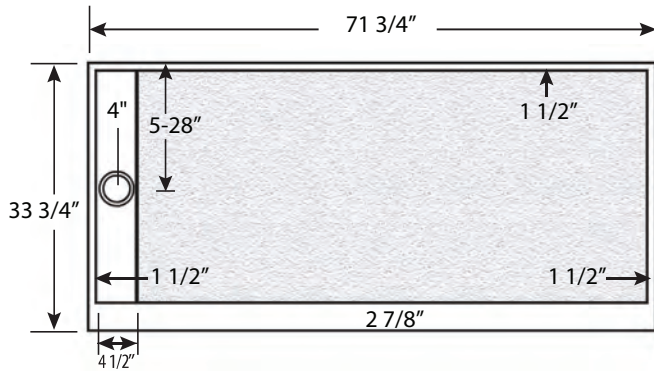
Cast Marble Solutions



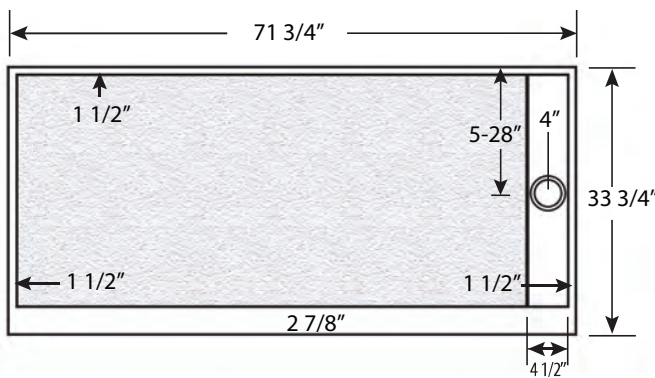
SB72x34-4TD-xH-LC

72 X 34 LH OR RH SHOWER BASE WITH 4" TRENCH DRAIN
IMI LITECAST™

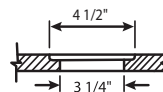
Top View - Left Drain



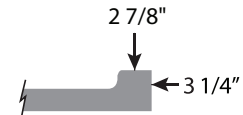
Top View - Right Drain



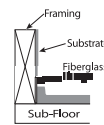
Drain Details: (U.S.)



Side View of Curb



Flange Details: (U.S.)



Drain Cover



FEATURES Dimensional Tolerance $\pm 1/4$ ". Dimensions needed for site preparation should be measured from the unit. American Bath Group assumes no responsibility for preparatory work.

Type and Model #	Material	Shower Base	Pieces
Shower Base #SB72x34-4TD-xH-LC	Cast Marble	Anti-Slip/Textured Finish	1

DIMENSIONS

Specifications	inches
Shower Base Depth:	33 3/4
Shower Base Width:	71 3/4
Curb Height:	3 1/4
Curb Width:	2 7/8

Suggested Drains:



Solvent Weld type fitting similar to Oatey Part No. 42097



Compression type "No-Caulk" fitting similar to Oatey Part No. 42099

Rev. 08.16.21

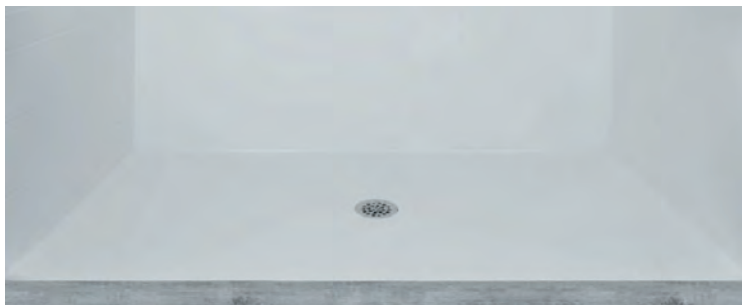
SB-RI-ADA-LC

inches

ADA COMPLIANT ROLL-IN SHOWER BASE WITH CENTER DRAIN IMI LITECAST™

Exterior Dimensions: 62W x 31D

Note: Base dimensions may vary +/- 1/8"



FEATURES

- Fiberglass flange attached at factory
- Solid one-piece construction
- Abrasion-resistant gel coat surface
- Extremely sanitary
- Mold or mildew resistant
- Textured non-slip finish
- Pre-leveled — rests on subfloor
- 10-year limited warranty against manufacturing defects

STANDARDS AND RATINGS

- ADA
- Typical CSI Code: 22 42 23 (Div 22)
- ANSI
- ASTM (Fire Rating)
- MAS Certified Green

Code compliant when fully equipped and installed according to guidelines.

Material to be stacked on pallets.

COLOR & TRIM OPTIONS

Standard Color	Code
----------------	------

White	SW
-------	----

Optional Color	Code
----------------	------

Cream	SC
Ivory	SI
Warm White	WW

Additional custom colors available.



Cast Marble Solutions

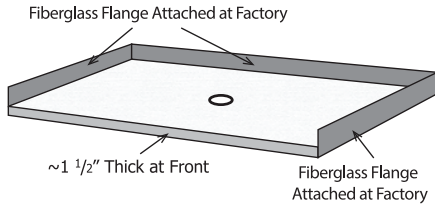


SB-RI-ADA-LC

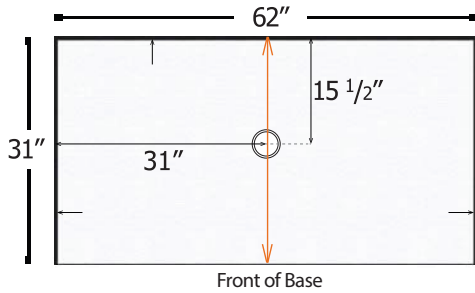
ADA COMPLIANT ROLL-IN SHOWER BASE WITH CENTER DRAIN

IMI LITECAST™

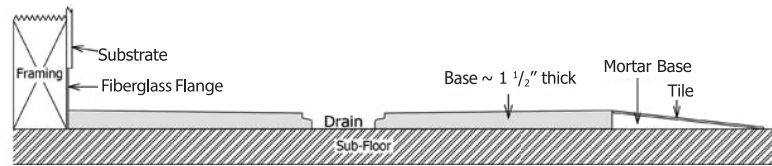
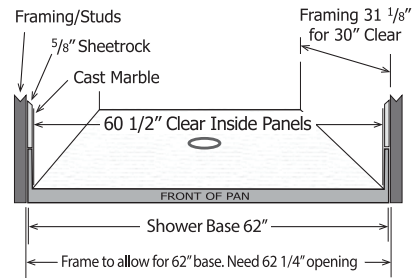
Perspective View



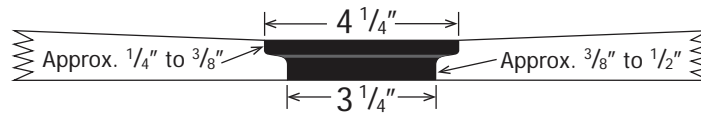
Top View



Based on a 62" x 31" Custom Shower Base



Drain Detail



FEATURES Dimensional Tolerance $\pm 1/8"$. Dimensions needed for site preparation should be measured from the unit. American Bath Group assumes no responsibility for preparatory work.

Type and Model #	Material	Shower Base	Pieces
Shower Base #SB-RI-ADA-LC	Cast Marble	Anti-Slip/Textured Finish	1

DIMENSIONS

Specifications	inches
Shower Base Depth:	31
Shower Base Width:	62
Threshold Height:	1 1/4

Suggested Drains

Oatey part #42150 Brass

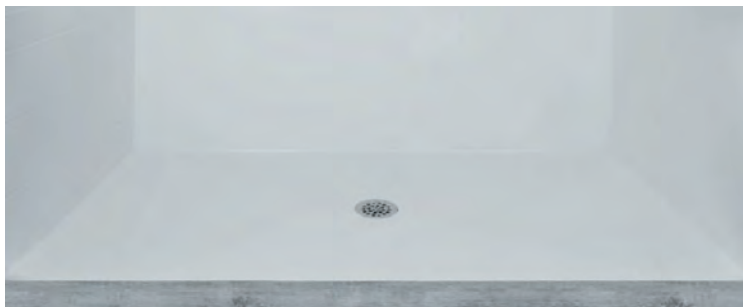
SB-RI-62x36ADA-LC

inches

ADA COMPLIANT ROLL-IN SHOWER BASE WITH CENTER DRAIN IMI LITECAST™

Exterior Dimensions: 62W x 36D

Note: Base dimensions may vary +/- 1/8"



FEATURES

- Fiberglass flange attached at factory
- Solid one-piece construction
- Abrasion-resistant gel coat surface
- Extremely sanitary
- Mold or mildew resistant
- Textured non-slip finish
- Pre-leveled — rests on subfloor
- 10-year limited warranty against manufacturing defects

STANDARDS AND RATINGS

- ADA
- Typical CSI Code: 22 42 23 (Div 22)
- ANSI
- ASTM (Fire Rating)
- MAS Certified Green

Code compliant when fully equipped and installed according to guidelines.

Material to be stacked on pallets.

COLOR & TRIM OPTIONS

Standard Color	Code
----------------	------

White	SW
-------	----

Optional Color	Code
----------------	------

Cream	SC
Ivory	SI
Warm White	WW

Additional custom colors available.



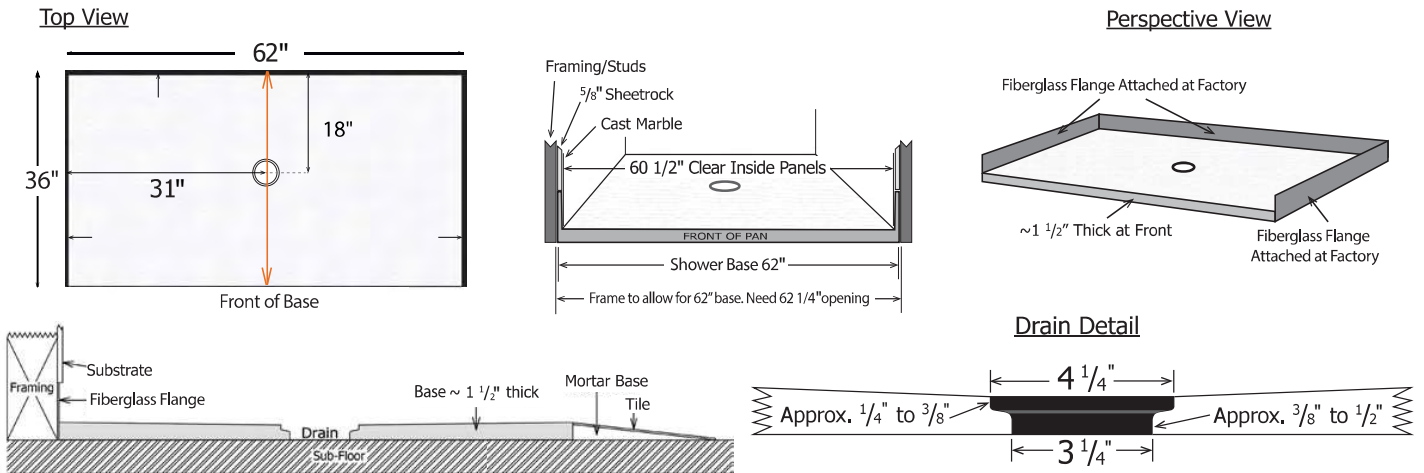
Cast Marble Solutions



SB-RI-62x36ADA-LC

ADA COMPLIANT ROLL-IN SHOWER BASE WITH CENTER DRAIN

IMI LITECAST™



FEATURES Dimensional Tolerance $\pm 1/4"$. Dimensions needed for site preparation should be measured from the unit. American Bath Group assumes no responsibility for preparatory work.

Type and Model #	Material	Shower Base	Pieces
Shower Base #SB-RI-62x36ADA-LC	Cast Marble	Anti-Slip/Textured Finish	1

DIMENSIONS

Specifications	inches
Shower Base Depth:	36
Shower Base Width:	62
Threshold Height:	1 1/4

SUGGESTED DRAINS

Description
Oatey part #42150 Brass
Kohler model #K9132 Stainless Steel

SB62x36-RI-6TD-LC

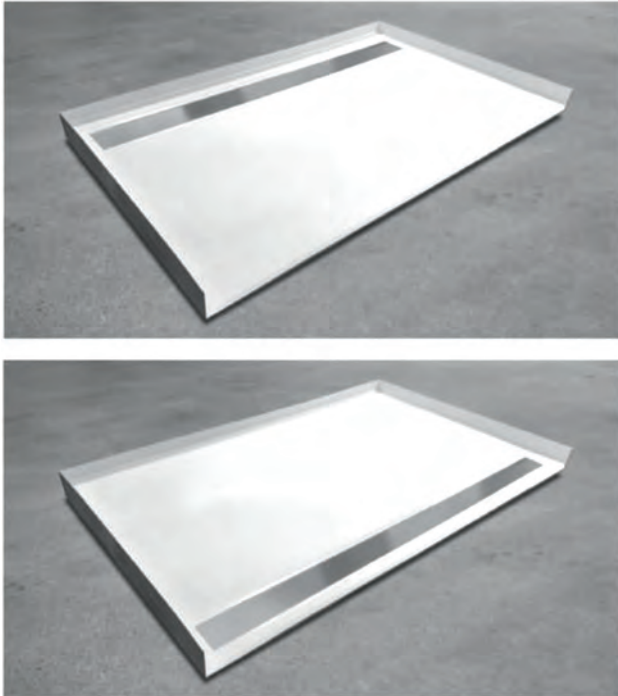
inches

62 1/4 X 36 ADA ROLL-IN W/6" TRENCH DRAIN IMI LITECAST™

Exterior Dimensions: 62 1/4 x 36D

Note: Base dimensions may vary +/- 1/4"

* Also available in IMI ProCast™



Material to be stacked on pallets.

DRAIN FINISHES

Solid Cover	Code
Brushed Stainless Steel	SS
Ornamental (Slotted)	OSS
Decorative (Perforated)	DSS
Powder Coated	W, MB

COLOR & TRIM OPTIONS

Standard Color	Code
White	SW

Optional Color	Code
Cream	SC
Ivory	SI
Warm White	WW

Additional custom colors available.



Cast Marble Solutions

FEATURES

- Fiberglass Flange
- Front or rear drain
- Pre-sloped to drain
- Solid one-piece construction
- Pre-leveled, rests on subfloor
- Mold and mildew resistant
- Bacteria resistant
- "Grout-free" and non-porous
- Stain resistant and easy to clean
- Waterproof and leakproof

OPTIONS

- 8" x 72" x 1 1/2" Access Ramp (Trim to Fit)

STANDARDS AND RATINGS

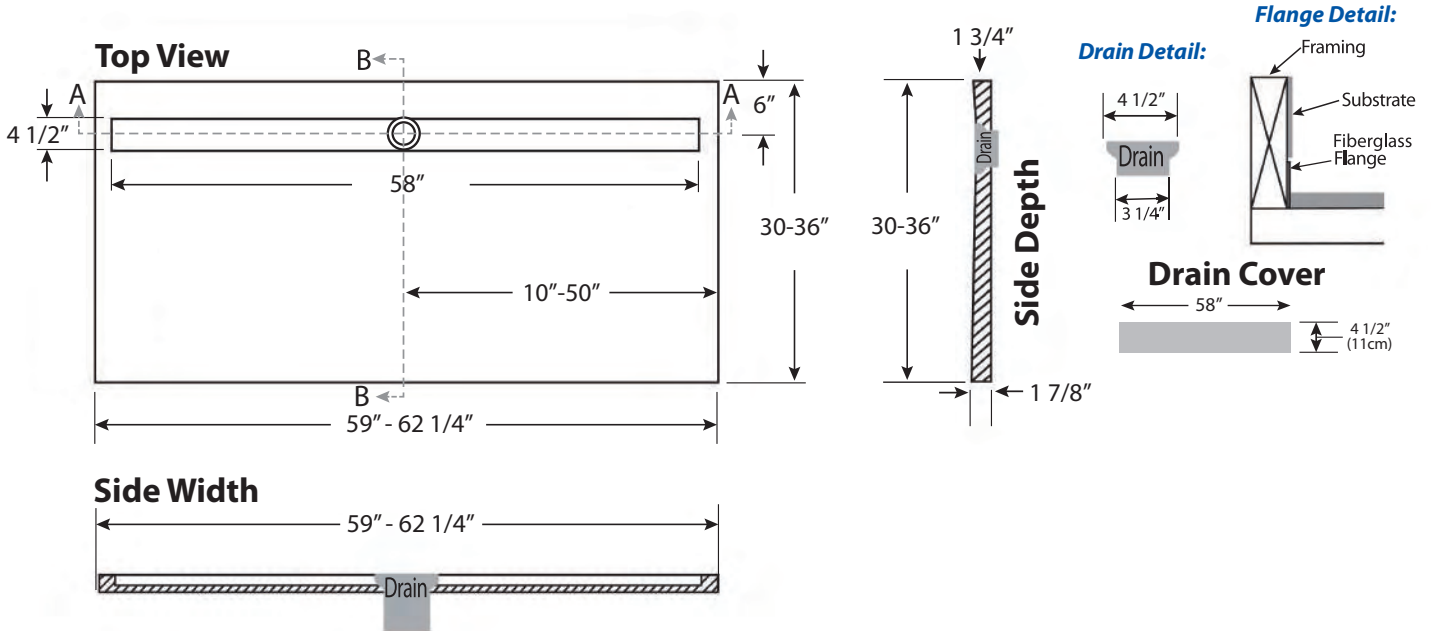
- Typical CSI Code: 22 42 23 (Div 22)
- ANSI
- ASTM (Fire Rating)
- MAS Certified Green

Code compliant when fully equipped and installed according to guidelines.



SB62x36-RI-6TD-LC

62 ¼ X 36 ADA ROLL-IN W/6" TRENCH DRAIN
IMI LITECAST™



FEATURES Dimensional Tolerance $\pm 1/4"$. Dimensions needed for site preparation should be measured from the unit. American Bath Group assumes no responsibility for preparatory work.

Type and Model #	Material	Shower Base	Pieces
Shower Base #SB62x36-RI-6TD-LC	Cast Marble	Anti-Slip/Textured Finish	1

DIMENSIONS

Specifications	inches
Shower Base Depth:	30-36
Shower Base Width:	59-62 ¼
Trench Side Threshold Height:	1 ¾
Opposite Side Threshold Height:	1 ¾

Suggested Drains:



Solvent Weld type fitting similar to Oatey Part No. 42097



Compression type "No-Caulk" fitting similar to Oatey Part No. 42099

Rev. 10.19.21

SB62x38-RI-5TD-LC

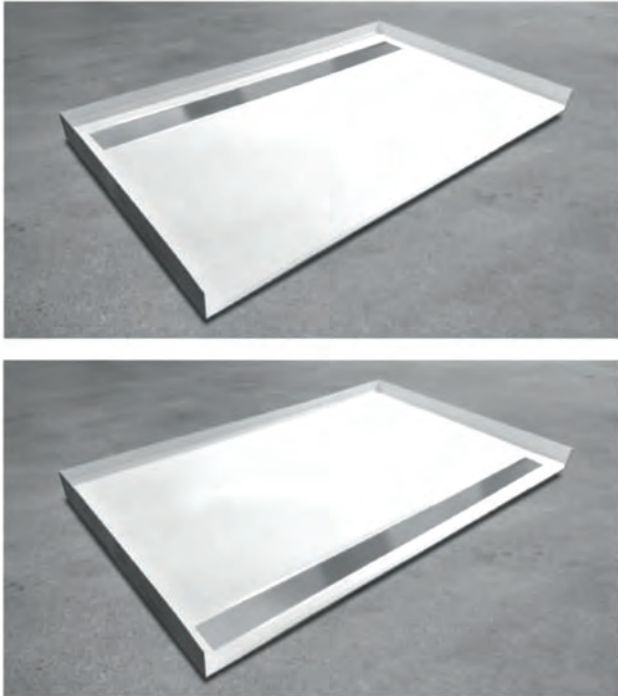
inches

62 X 38 ADA ROLL-IN W/5" TRENCH DRAIN IMI LITECAST™

Exterior Dimensions: 62W x 38D

Note: Base dimensions may vary +/- 1/8"

* Also available in IMI ProCast™



Material to be stacked on pallets.

DRAIN FINISHES

Solid Cover	Code
Brushed Stainless Steel	SS
Ornamental (Slotted)	OSS
Decorative (Perforated)	DSS
Powder Coated	W, MB

COLOR & TRIM OPTIONS

Standard Color	Code
White	SW

Optional Color	Code
Cream	SC
Ivory	SI
Warm White	WW

Additional custom colors available.



Cast Marble Solutions

FEATURES

- Fiberglass Flange
- Front or rear drain
- Pre-sloped to drain
- Solid one-piece construction
- Pre-leveled, rests on subfloor
- Mold and mildew resistant
- Bacteria resistant
- "Grout-free" and non-porous
- Stain resistant and easy to clean
- Waterproof and leakproof

OPTIONS

- 8" x 72" x 1 1/2" Access Ramp (Trim to Fit)

STANDARDS AND RATINGS

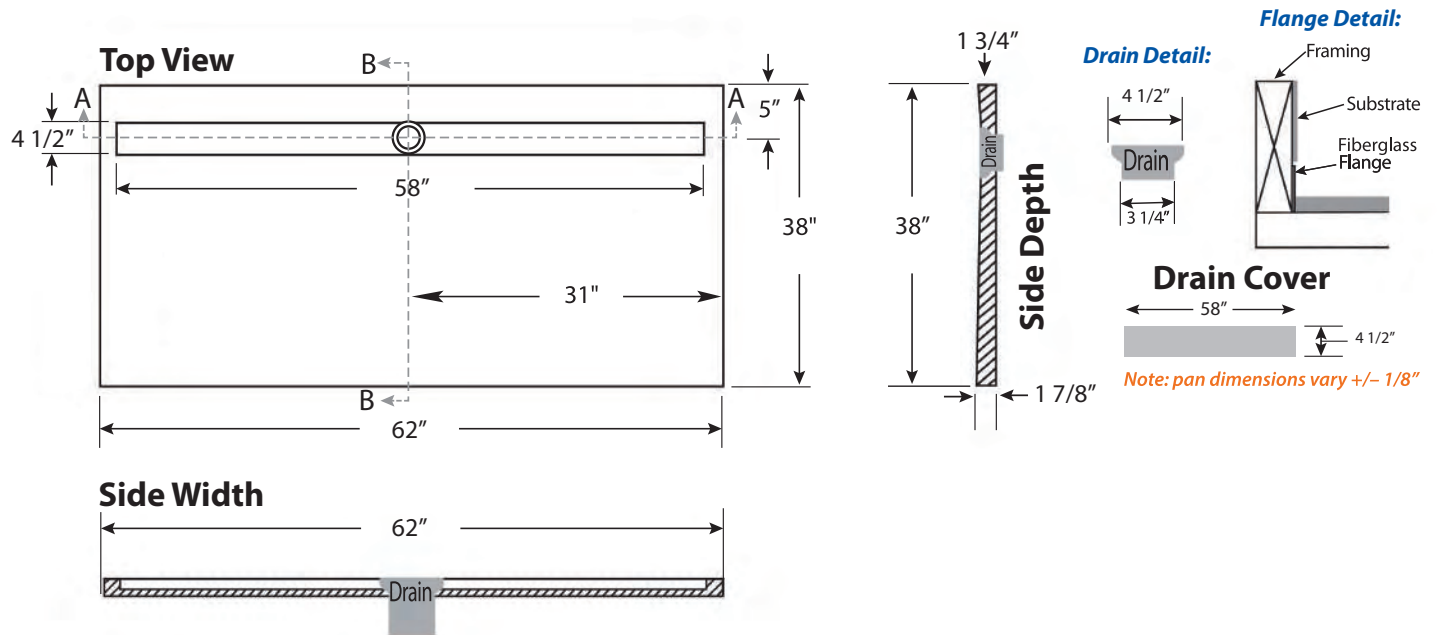
- Typical CSI Code: 22 42 23 (Div 22)
- ANSI
- ASTM (Fire Rating)
- MAS Certified Green

Code compliant when fully equipped and installed according to guidelines.



SB62x38-RI-5TD-LC

62 X 38 ADA ROLL-IN W/5" TRENCH DRAIN
IMI LITECAST™



FEATURES Dimensional Tolerance $\pm 1/8"$. Dimensions needed for site preparation should be measured from the unit. American Bath Group assumes no responsibility for preparatory work.

Type and Model #	Material	Shower Base	Pieces
Shower Base #SB62x38-RI-5TD-LC	Cast Marble	Anti-Slip/Textured Finish	1

DIMENSIONS

Specifications	inches
Shower Base Depth:	38
Shower Base Width:	62
Threshold Height:	1 3/4

Suggested Drains:



Solvent Weld type fitting similar to Oatey Part No. 42097



Compression type "No-Caulk" fitting similar to Oatey Part No. 42099

Rev. 02.01.21

SB66x34-ADJ-CUSTOM-TD

inches

66 X 34 ADJUSTABLE SHOWER BASE WITH LH OR RH TRENCH DRAIN IMI LITECAST™

Exterior Dimensions: 66W x 34D

Note: Base dimensions may vary +/- 1/4"

* Also available in IMI ProCast™



Material to be stacked on pallets.

DRAIN FINISHES

Solid Cover	Code
Brushed Stainless Steel	SS
Ornamental (Slotted)	OSS
Decorative (Perforated)	DSS
Powder Coated	W, MB

COLOR & TRIM OPTIONS

Standard Color	Code
White	SW
Optional Color	Code
Cream	SC
Ivory	SI
Warm White	WW

Additional custom colors available.



Cast Marble Solutions

FEATURES

- Available in Left Hand and Right Hand version
- Customizable to your specifications with fiberglass flange
- Solid one-piece construction, including fiberglass flanges, **chemically bonded to base** (upon request)
- Curb attached by plant or in field
- Pre-sloped to the drain, rests on subfloor
- Mold and mildew resistant
- Bacteria resistant
- "Grout-free" and non-porous
- Stain resistant and easy to clean
- Waterproof and leakproof

STANDARDS AND RATINGS

- Typical CSI Code: 22 42 23 (Div 22)
- ANSI
- ASTM (Fire Rating)
- MAS Certified Green

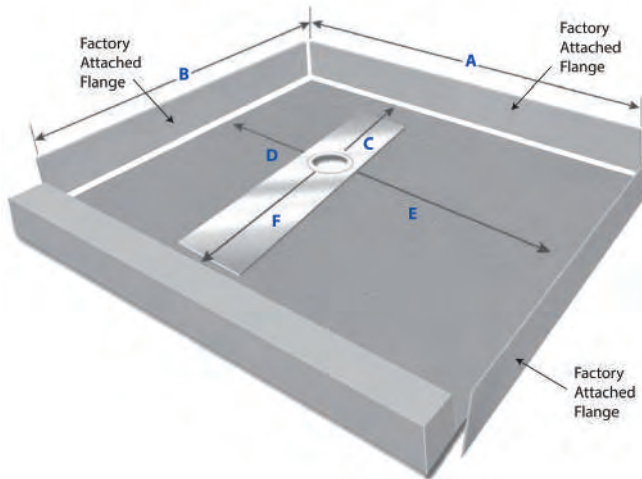
Code compliant when fully equipped and installed according to guidelines.



SB66x34-ADJ-CUSTOM-TD

66 X 34 ADJUSTABLE SHOWER BASE WITH LH OR RH TRENCH DRAIN

IMI LITECAST™



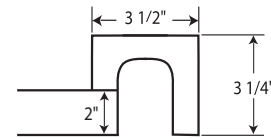
Dimensions:

- A = 66" max.
- B = 34" max. (w/a curb 36")

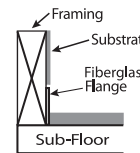
Drain Location:

- C = 26.5" max. / 8" min.
- D = 12" max. / 3.5" min.
- E = 54" max. / 3.5" min.
- F = 26.5" max. / 8" min.

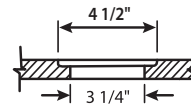
Curb Cross-Section View:



Flange Details: (U.S.)



Drain Details: (U.S.)



FEATURES Dimensional Tolerance $\pm 1/4"$. Dimensions needed for site preparation should be measured from the unit. American Bath Group assumes no responsibility for preparatory work.

Type and Model #	Material	Shower Base	Pieces
Shower Base #SB66x34-ADJ-CUSTOM-TD	Cast Marble	Anti-Slip/Textured Finish	1

DIMENSIONS

Specifications	inches
Shower Base Depth:	34 max / 36 max with curb
Shower Base Width:	66 max
Curb Height:	3
Curb Width:	3

Suggested Drains:



Solvent Weld type fitting similar to Oatey Part No. 42097



Compression type "No-Caulk" fitting similar to Oatey Part No. 42099

Rev. 08.16.21

SB84x36-ADJ-CUSTOM-TD

inches

84 X 36 ADJUSTABLE SHOWER BASE WITH LH OR RH TRENCH DRAIN IMI LITECAST™

Exterior Dimensions: 84W x 36D

Note: Base dimensions may vary +/- 1/4"

* Also available in IMI ProCast™



Material to be stacked on pallets.

DRAIN FINISHES

Solid Cover	Code
Brushed Stainless Steel	SS
Ornamental (Slotted)	OSS
Decorative (Perforated)	DSS
Powder Coated	W, MB

COLOR & TRIM OPTIONS

Standard Color	Code
White	SW
Optional Color	Code
Cream	SC
Ivory	SI
Warm White	WW

Additional custom colors available.



Cast Marble Solutions

FEATURES

- Available in Left Hand and Right Hand version
- Customizable to your specifications with fiberglass flange
- Solid one-piece construction, including fiberglass flanges, **chemically bonded to base** (upon request)
- Curb attached by plant or in field
- Pre-sloped to the drain, rests on subfloor
- Mold and mildew resistant
- Bacteria resistant
- "Grout-free" and non-porous
- Stain resistant and easy to clean
- Waterproof and leakproof

STANDARDS AND RATINGS

- Typical CSI Code: 22 42 23 (Div 22)
- ANSI
- ASTM (Fire Rating)
- MAS Certified Green

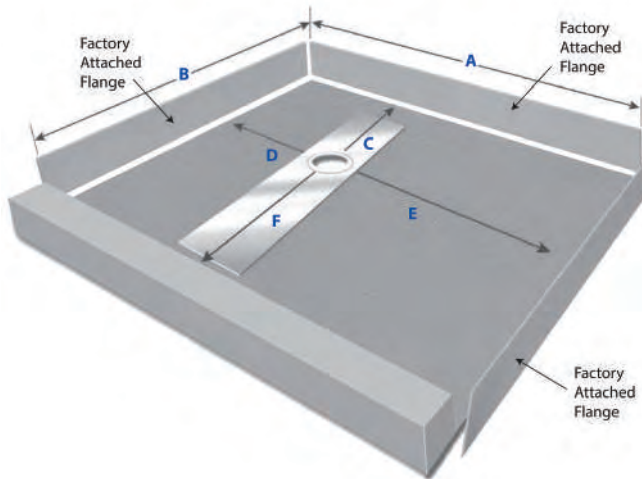
Code compliant when fully equipped and installed according to guidelines.



SB84x36-ADJ-CUSTOM-TD

84 X 36 ADJUSTABLE SHOWER BASE WITH LH OR RH TRENCH DRAIN

IMI LITECAST™



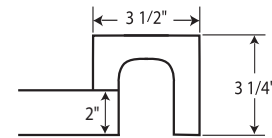
Dimensions:

- A** = 84" max.
- B** = 36" max. (w/a curb 38")

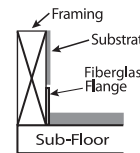
Drain Location:

- C** = 26.5" max. / 8" min.
- D** = 12" max. / 3.5" min.
- E** = 54" max. / 3.5" min.
- F** = 26.5" max. / 8" min.

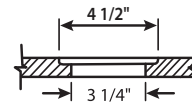
Curb Cross-Section View:



Flange Details: (U.S.)



Drain Details: (U.S.)



FEATURES Dimensional Tolerance $\pm 1/4"$. Dimensions needed for site preparation should be measured from the unit. American Bath Group assumes no responsibility for preparatory work.

Type and Model #	Material	Shower Base	Pieces
Shower Base #SB84x36-ADJ-CUSTOM-TD	Cast Marble	Anti-Slip/Textured Finish	1

DIMENSIONS

Specifications	inches
Shower Base Depth:	36 max / 38 max with curb
Shower Base Width:	84 max
Curb Height:	3
Curb Width:	3

Suggested Drains:



Solvent Weld type fitting similar to Oatey Part No. 42097



Compression type "No-Caulk" fitting similar to Oatey Part No. 42099

Rev. 08.16.21

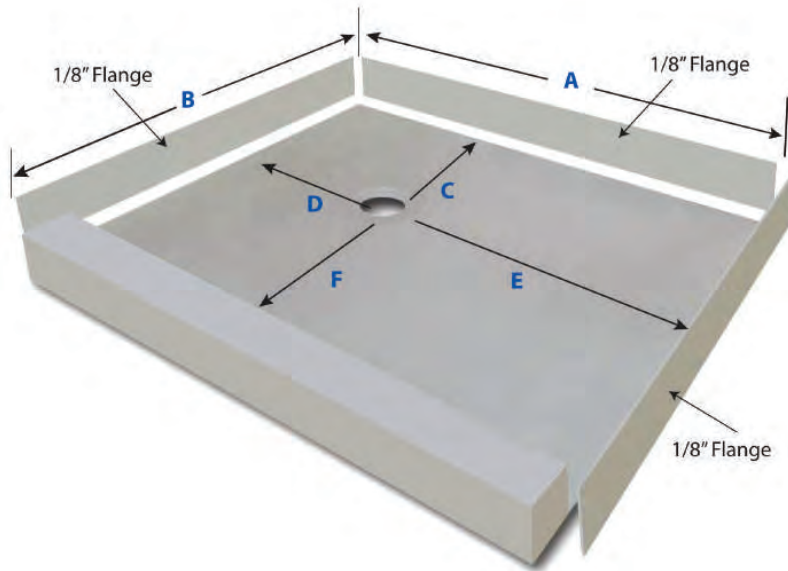
SB-CUSTOM-LC

inches

CUSTOM SHOWER BASE WITH CURB IMI LITECAST™

* Also available in IMI ProCast™

Note: Base dimensions may vary +/- 1/4"



Material to be stacked on pallets.

COLOR & TRIM OPTIONS

Standard Color	Code
White	SW

Optional Color	Code
Cream	SC
Ivory	SI
Warm White	WW

Additional custom colors available.



Cast Marble Solutions

FEATURES

- 3 1/2" W x 3 1/4" H curb
- Fiberglass flange attached at factory
- Solid one-piece construction
- Pre-leveled, rests on subfloor
- Mold and mildew resistant
- Bacteria resistant
- "Grout-free" and non-porous
- Stain resistant and easy to clean
- Water proof and leak proof

STANDARDS AND RATINGS

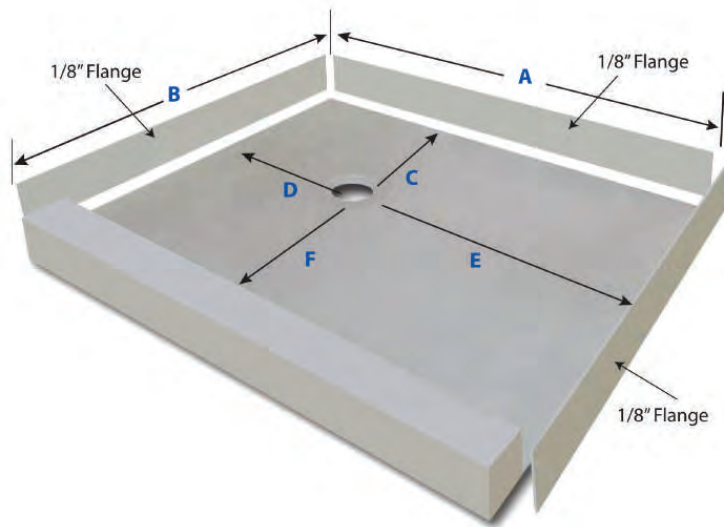
- Typical CSI Code: 22 42 23 (Div 22)
- ANSI-B
- ASTM (Fire Rating)
- DCOF Coefficient Rating: 0.42 or greater
- MAS Certified Green

Code compliant when fully equipped and installed according to guidelines.

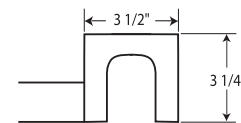


SB-CUSTOM-LC

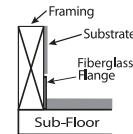
CUSTOM SHOWER BASE WITH CURB
IMI LITECAST™



Curb Cross-Section View:



Flange Details: (U.S.)





FEATURES Dimensional Tolerance $\pm 1/4"$. Dimensions needed for site preparation should be measured from the unit. American Bath Group assumes no responsibility for preparatory work.

Type and Model #	Material	Shower Base	Pieces
Shower Base #SB-CUSTOM-LC	Cast Marble	Anti-Slip/Textured Finish	1

DIMENSIONS

Specifications	inches
Shower Base Depth:	88 max
Shower Base Width:	116 max
Curb Height:	3 1/4

SUGGESTED DRAINS

Image	Description
	Solvent Weld type fitting similar to Oatey Part No. 42097
	Compression type "No-Caulk" fitting similar to Oatey Part No. 42099

Rev. 09.17.21