

PORCELAIN ENAMEL BATHTUB

inches

WITH PREMIUM CAST INSULATION

60W x 32D x 16 5/8H

011-2348-00 (RH)

011-2349-00 (LH)



DRAIN FINISHES

Stock

Chrome (CH)
Brushed Nickel (BN)
Dark Bronze (DB)
Matte Black (MB)
Brushed Gold (BG)

COLOR & TRIM OPTIONS

Stock

White

FEATURES

- Porcelain enamel encased with premium cast insulation
- Light weight and durable
- Full length sound deadening pad
- Brilliant porcelain finish
- Armorshield* — jobsite protective coating
- Deep soaker
- Slip-resistant bottom
- Standard outlet
- Easy installation — Set it and level it
- Lifetime limited warranty

STANDARDS AND RATINGS

- ANSI
- ASME A112.19.1/CSA B45.2 (Standard for Enameled Steel Plumbing Fixtures)
- ADA (American Disabilities Act)
- ASTM F 462 (Safety Specification for Slip Resistant Bathing Facilities)
- ASTM E 162 (Test Method for Surface Flammability)
- ASTM E 662 (Test Method for Smoke Density)
- ANSI Z124.1.2sec5.6 (Ignition Test)
- WW-P 541 (U.S. Military Federal Specification)
- HUD-FHA-VA
- LEED
- Buy American Act, as applicable when installed accordingly.

See terms and conditions for details.

*Optional Factory-applied, thick protective coating that guards against most jobsite damages. Please contact your ABG Hospitality specialist to learn more.



MADE IN THE USA

PORCELAIN ENAMEL BATHTUB

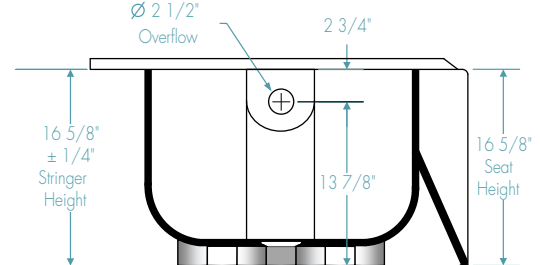
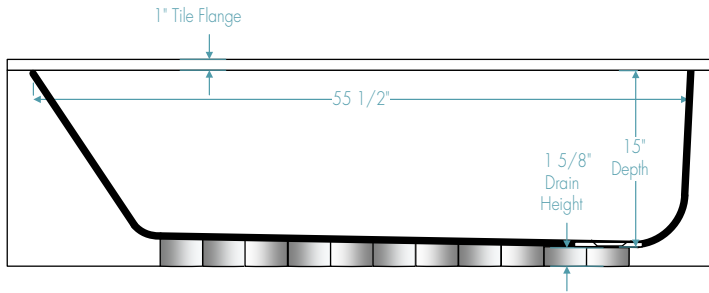
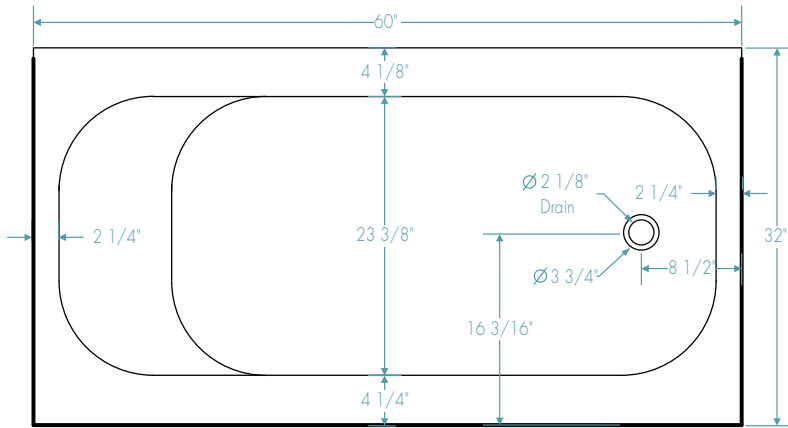
WITH PREMIUM CAST INSULATION

60W x 32D x 16 5/8H



Installation instructions can be found on the abghospitality.com website.

Material to be stacked on pallets.



FEATURES Dimensional Tolerance $\pm \frac{1}{8}$ ". Dimensions needed for site preparation should be measured from the unit. American Bath Group assumes no responsibility for preparatory work.

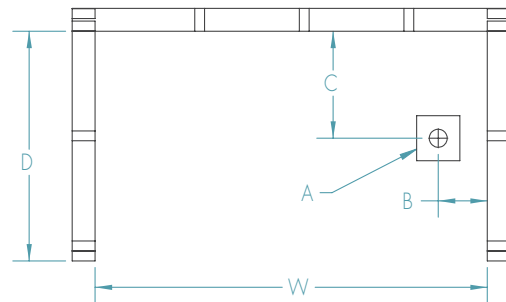
Type and Model #	Material	Drain	Apron Height	Pkg. Wt. lbs.
Bathtub #011-2348	Porcelain Enamel	RH	16 5/8"	90
Bathtub #011-2349	Porcelain Enamel	LH	16 5/8"	90

DIMENSIONS

Specifications	inches
Width:	32
Depth:	15
Height:	16 5/8"
Drain Rough-In (from Back Wall)	16 5/8"
Drain Rough-In (from Side Wall)	8 1/2"

FRAMING DIMENSIONS inches

Type	D Depth	W Width	A	B	C
Alcove	≥ 32	> 60	2 1/8" drain	8 1/2"	16 5/8"



SUMP DATA

Top of Drain to Bottom of Overflow	Capacity to Overflow gal	Min. Operating Capacity gal	WIDTH @ centerline		DEPTH @ centerline	
			Top	Bottom	Top	Bottom
10 5/8"	45 5/8"	0	23 3/8"	22 3/8"	-	-