

TECHNICAL SPECIFICATIONS

GT-4260

60" x 40 1/2" x 23 1/4"
MODEL NUMBER 141082



Standard Features

- Gelcoated fiberglass bathtub
- 5 1/2" wrap around backsplash
- Integrated apron & tiling flange
- Deck for faucet
- Right, left or center drain
- Textured floor
- Alcove installation

Systems

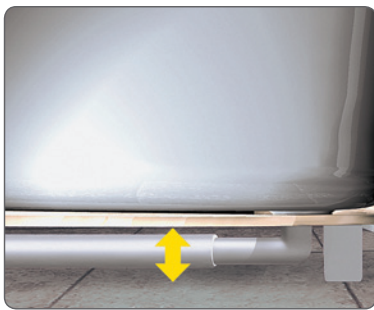
- Homestead whirlpool system¹

Options

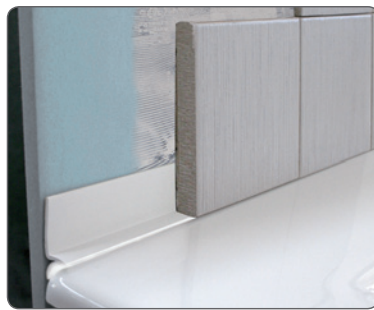
- Factory-installed in-line heater
- Above-the-Floor Rough (AFR)
- Pump position opposite than standard position²

Certifications

AKER products are certified by one or more of the following certification agencies.



Above-the-Floor Rough (AFR)



Tiling Flange

Why choose AKER ?

- Built to perform
- Innovation for a flawless install
- Beauty that's built for life

Customer: _____

Project: _____ Quote #: _____

AKER representative: _____ Tel: _____

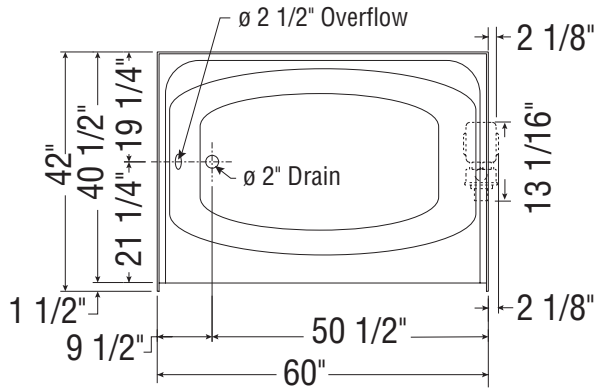
Date: _____



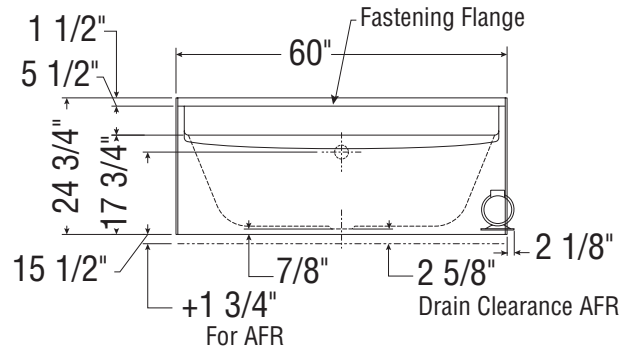
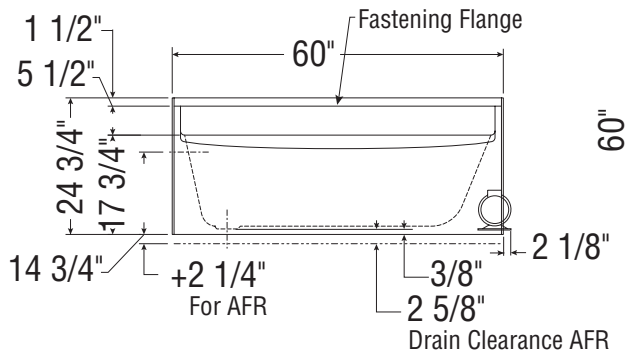
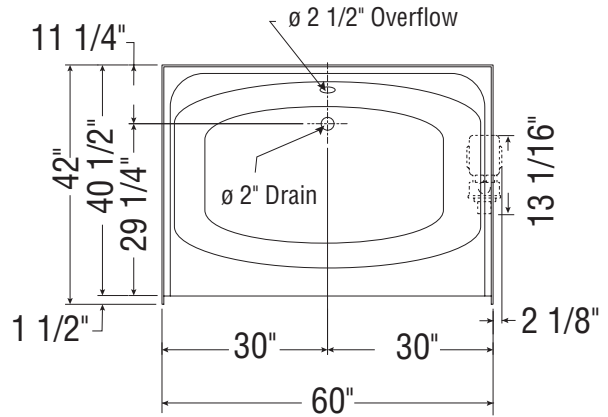
WWW.AKERBYMAAX.COM

Technical drawings

GT-4260 R
GT-4260 L (shown)

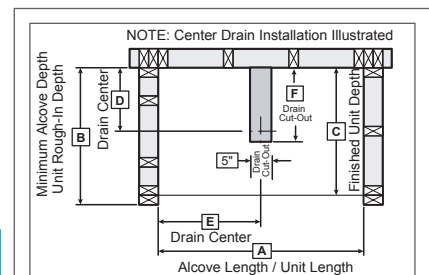


GT-4260 Center Drain



FOOTNOTES - BEFORE ORDERING, PLEASE SPECIFY:

1. Components for standard color bathtubs equipped with Homestead whirlpool are color-coordinated.
2. The pump on opposite side of standard location will exceed the bathtub dimensions from 8 to 10 inches.
3. On left or right drain models the pump on opposite side of standard location will exceed the bathtub dimensions from 8 to 10 inches. On center drain model the pump will exceed the bathtub dimensions by 2 1/8 inches



Model	No seat					
	A	B	C	D	E	F
141082	60"	42"	40 1/2"	11 1/4"	30"	14 1/4"

All dimensions are approximate. Structure measurements must be verified against the unit to ensure proper fit.

TECHNICAL SPECIFICATIONS

SBA-3260

60" x 32 1/2" x 21 1/4"
MODEL NUMBER 141079



Standard Features

- Gelcoated fiberglass bathtub
- Spacious bathing well
- Integrated apron & tiling flange
- Deck for faucet
- Armrests
- Textured floor
- Right or left-hand drain
- Alcove installation

Systems

- Homestead whirlpool system¹
- Bodywrap whirlpool system²

Options

- Factory-installed in-line heater
- Pump position opposite than standard position³

Certifications

AKER products are certified by one or more of the following certification agencies.



Tiling Flange



Why choose AKER ?

- Built to perform
- Innovation for a flawless install
- Beauty that's built for life

Customer: _____

Project: _____ Quote #: _____

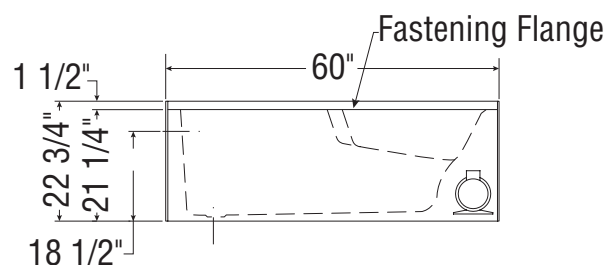
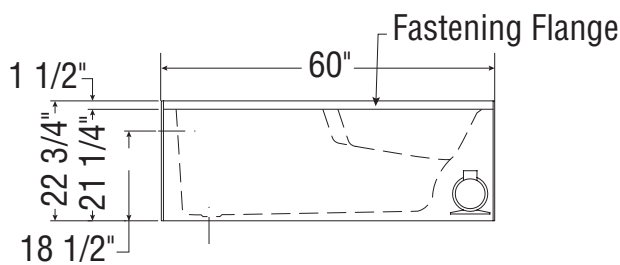
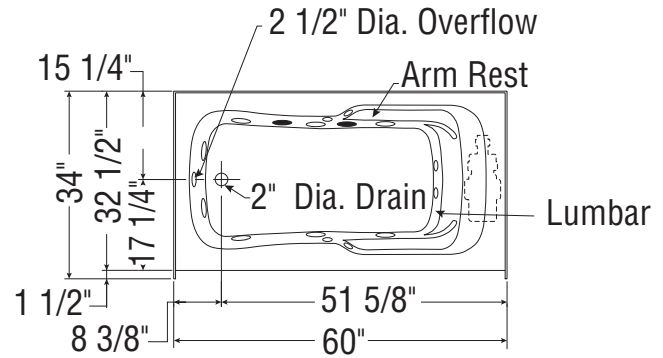
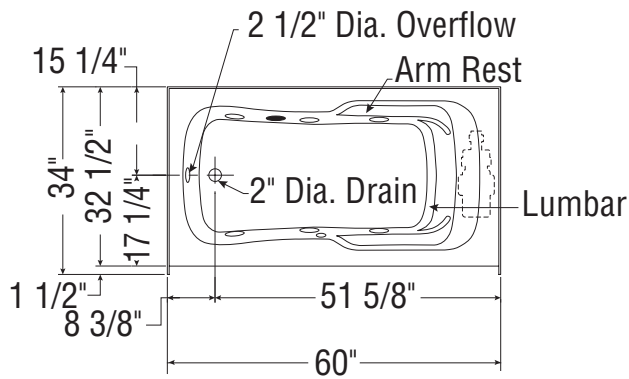
AKER representative: _____ Tel: _____

Date: _____



WWW.AKERBYMAAX.COM

Technical drawings

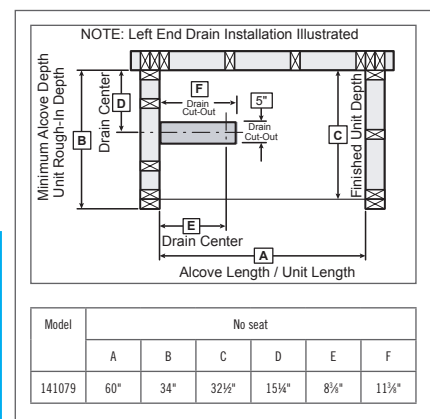


6-jet Homestead Collection SBA-3260L
HMS (illustrated)

10-jet Bodywrap Collection SBA-3260L
BWS (illustrated)

FOOTNOTES - BEFORE ORDERING, PLEASE SPECIFY:

1. Components for bathtubs equipped with Homestead whirlpool are color-coordinated.
2. Components for standard color bathtubs equipped with Bodywrap whirlpool are color-coordinated. Trim kit with metallic finish can be added. For non-standard color bathtubs, please order option 20209 and specify trim kit color.
3. The pump on opposite side of standard location will exceed the bathtub dimensions from 8 to 10 inches.



All dimensions are approximate. Structure measurements must be verified against the unit to ensure proper fit.

TECHNICAL SPECIFICATIONS

T0-60

60" x 30 1/2" x 16"
MODEL NUMBER 141078



Standard Features

- Gelcoated fiberglass bathtub
- Integrated tiling flange
- Twin back corner soap trays
- Textured floor
- Right or left-hand drain
- Alcove installation

Systems

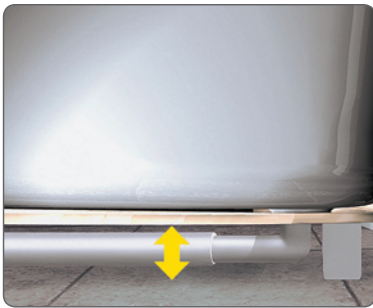
- N/A

Options

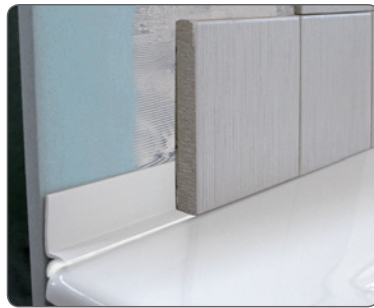
- Above-the-Floor Rough (AFR)
- Overflow not drilled

Certifications

AKER products are certified by one or more of the following certification agencies.



Above-the-Floor Rough (AFR)



Tiling Flange

Why choose AKER ?

- Built to perform
- Innovation for a flawless install
- Beauty that's built for life

Customer: _____

Project: _____ Quote #: _____

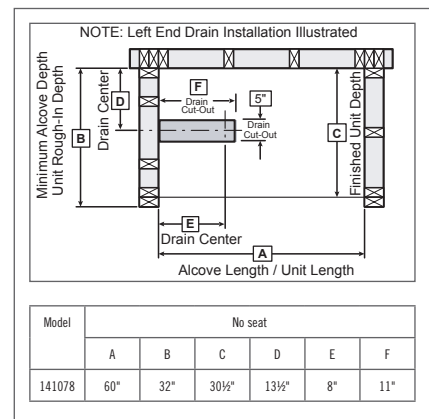
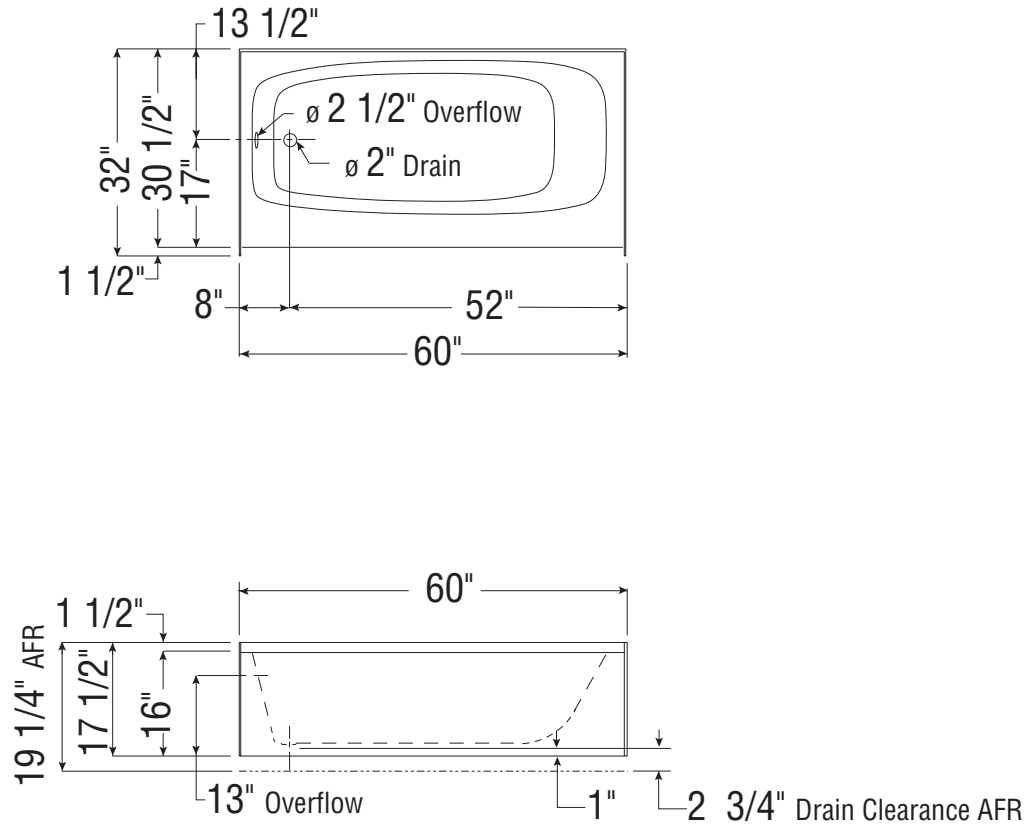
AKER representative: _____ Tel: _____

Date: _____



WWW.AKERBYMAAX.COM

Technical drawings

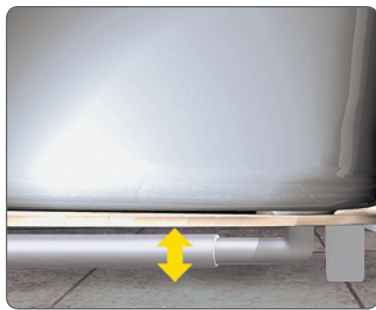


All dimensions are approximate. Structure measurements must be verified against the unit to ensure proper fit.

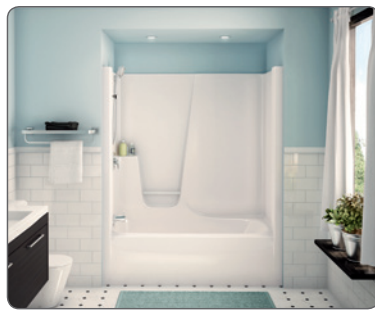


GB-60

60" x 33" x 72"
MODEL NUMBER 141004



Above-the-Floor Rough (AFR)



Standard Features

- One-piece gelcoated fiberglass tub-shower
- Built-in back wall shelves with integrated soap dish
- Standard clear acrylic bar with optional metallic finishes
- Right or left-hand drain
- Textured floor

Systems

- Homestead whirlpool system¹

Options

- Chrome grab bar replacing acrylic bar
- Polished Brass grab bar replacing acrylic bar
- Gelcoated fiberglass roofcap
- Light for roofcap (factory installed)
- In-line heater (factory installed)
- Pump position opposite than standard position
- Above-the-Floor Rough (AFR)

Door selection

Combine with MAAX's complete shower door offering, visit www.maax.com

Certifications

AKER products are certified by one or more of the following certification agencies.



Why choose AKER ?

- Built to perform
- Innovation for a flawless install
- Beauty that's built for life

Customer: _____

Project: _____ Quote #: _____

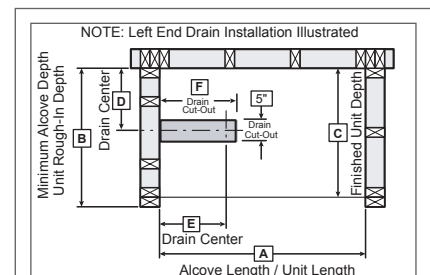
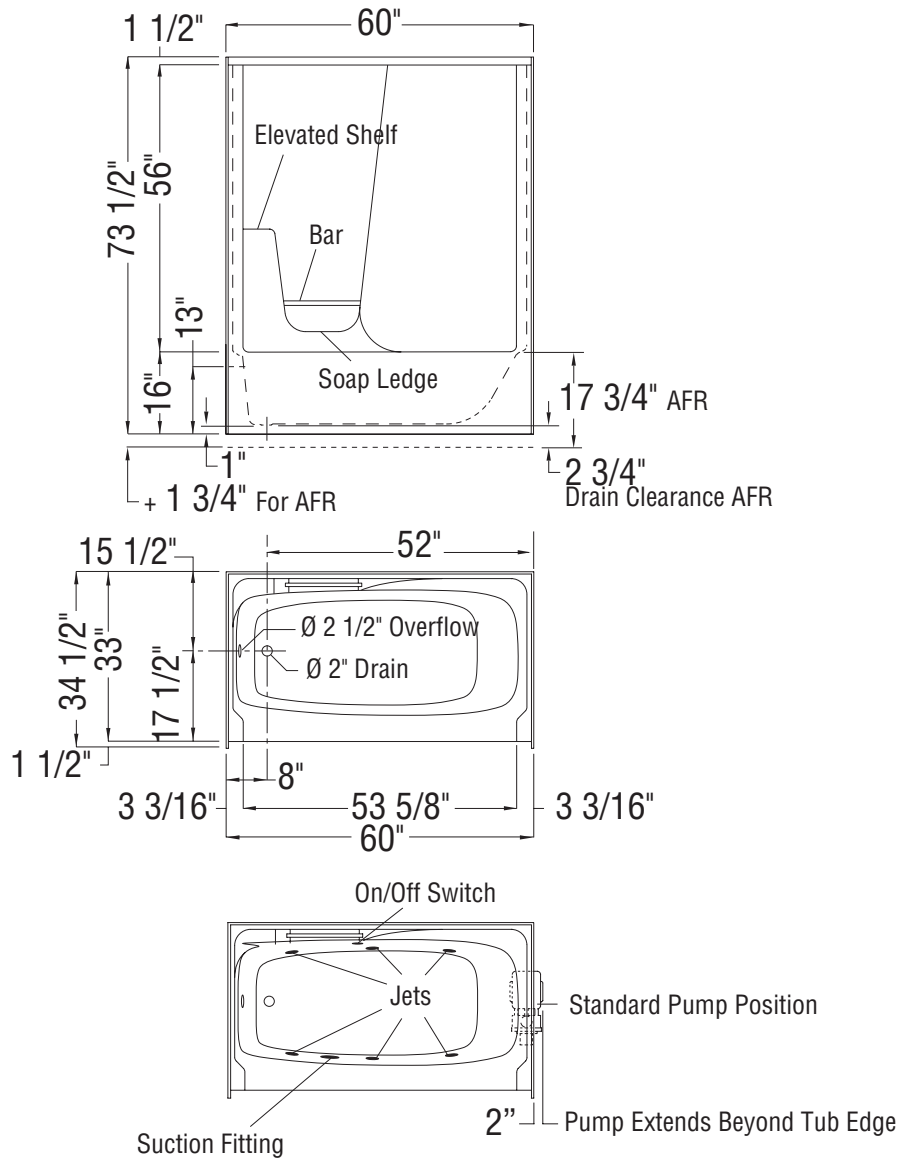
AKER representative: _____ Tel: _____

Date: _____



WWW.AKERBYMAAX.COM

Technical drawings



Model	No seat					
	A	B	C	D	E	F
141004	60"	34 1/2"	33"	15 1/2"	8"	11"

FOOTNOTES - BEFORE ORDERING, PLEASE SPECIFY:

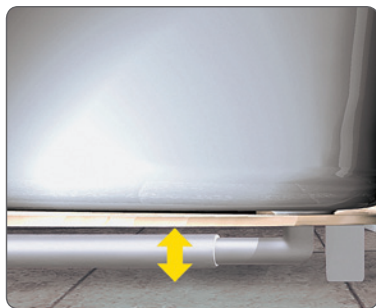
- Components for bathtubs equipped with Homestead whirlpool are color-coordinated.

All dimensions are approximate. Structure measurements must be verified against the unit to ensure proper fit.

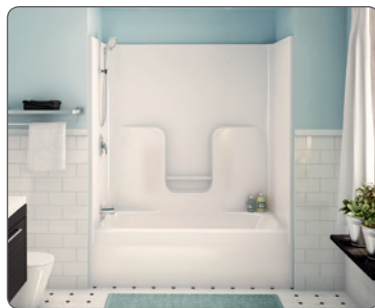
TECHNICAL SPECIFICATIONS

CM-60

60" x 31½" x 72"
MODEL NUMBER 141000



Above-the-Floor Rough (AFR)



Standard Features

- One-piece gelcoated fiberglass tub-shower
- Built-in back wall shelves with integrated soap dish
- Standard clear acrylic bar with optional metallic finish
- Right or left-hand drain
- Textured floor

Systems

- N/A

Options

- Chrome grab bar replacing acrylic bar
- Polished Brass grab bar replacing acrylic bar
- Left wall reinforcement
- Right wall reinforcement
- Back wall reinforcement
- Wall reinforcement (3 walls)
- Above-the-Floor Rough (AFR)

Door selection

Combine with MAAX's complete shower door offering, visit www.maax.com

Certifications

AKER products are certified by one or more of the following certification agencies.



Why choose AKER ?

- Built to perform
- Innovation for a flawless install
- Beauty that's built for life

Customer: _____

Project: _____ Quote #: _____

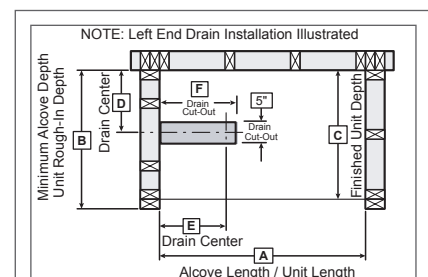
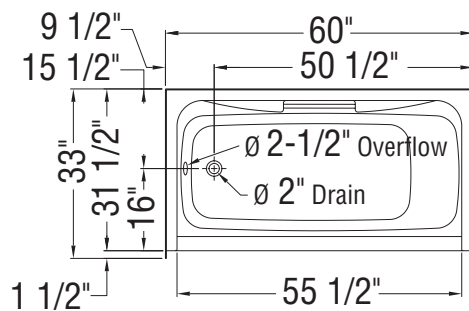
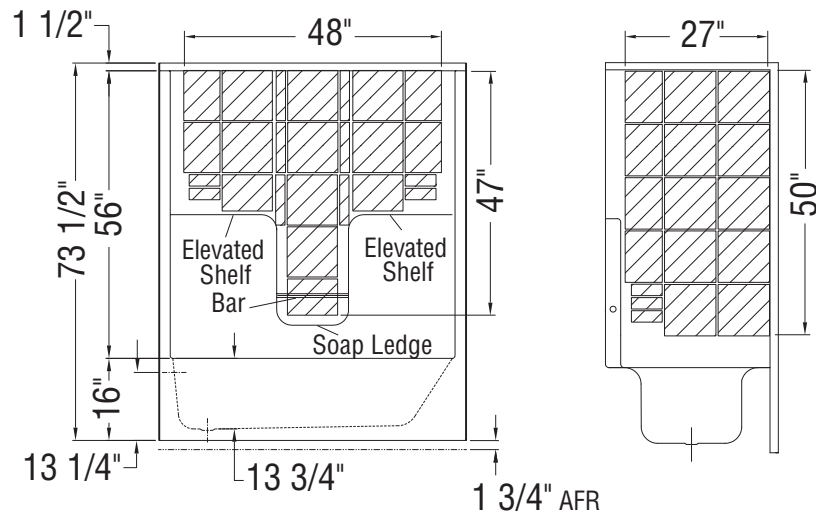
AKER representative: _____ Tel: _____

Date: _____



WWW.AKERBYMAAX.COM

Technical drawings



Model	No seat					
	A	B	C	D	E	F
141000	60"	33"	31½"	15½"	9½"	12½"

FOOTNOTES - BEFORE ORDERING, PLEASE SPECIFY:

1. Please see technical drawings for reinforcement positioning and size.

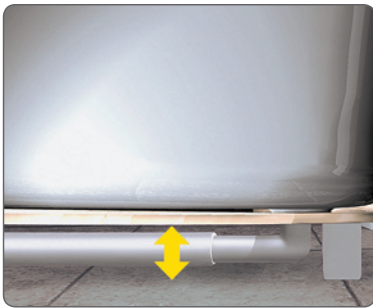
All dimensions are approximate. Structure measurements must be verified against the unit to ensure proper fit.



TECHNICAL SPECIFICATIONS

TS-3060

60" x 30" x 74³/₄"
MODEL NUMBER 141132



Above-the-Floor Rough (AFR)



Standard Features

- One-piece gelcoated fiberglass tub-shower
- Built-in back wall shelves with integrated soap dish
- Standard clear acrylic bar with optional metallic finishes
- Right or left-hand drain
- Textured floor

Systems

- N/A

Options

- Chrome grab bar replacing acrylic bar
- Polished Brass grab bar replacing acrylic bar
- Left wall reinforcement
- Right wall reinforcement
- Back wall reinforcement
- Wall reinforcement (3 walls)
- Above-the-Floor Rough (AFR)

Door selection

Combine with MAAX's complete shower door offering, visit www.maax.com

Certifications

AKER products are certified by one or more of the following certification agencies.



Why choose AKER ?

- Built to perform
- Innovation for a flawless install
- Beauty that's built for life

Customer: _____

Project: _____ Quote #: _____

AKER representative: _____ Tel: _____

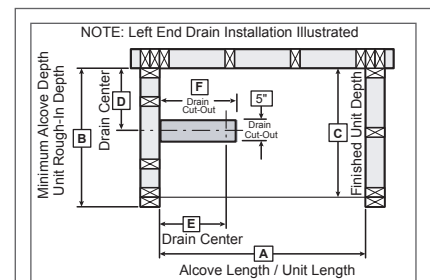
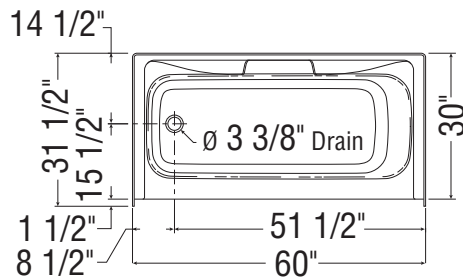
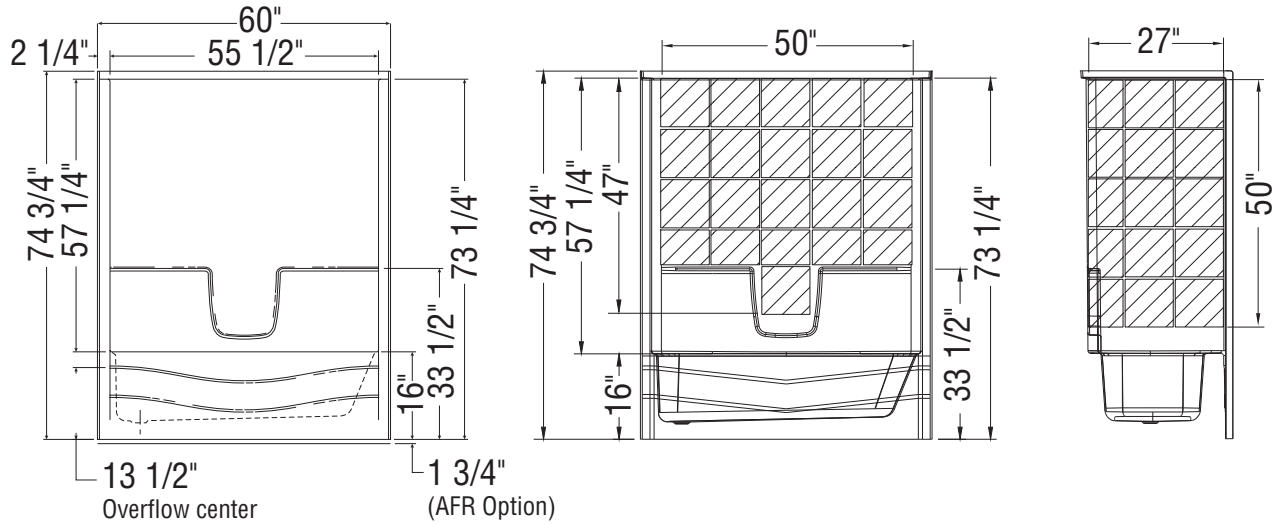
Date: _____



WWW.AKERBYMAAX.COM

Technical drawings

With reinforcement



Model	No seat					
	A	B	C	D	E	F
141132	60"	31 ¹ / ₂ "	30"	14 ¹ / ₂ "	8"	11"

FOOTNOTES - BEFORE ORDERING, PLEASE SPECIFY:

1. Please see technical drawings for reinforcement positioning and size.

All dimensions are approximate. Structure measurements must be verified against the unit to ensure proper fit.



TECHNICAL SPECIFICATIONS

KDTS-3260

59⁷/₈" x 32" x 79¹/₄"
MODEL NUMBER 142012



Above-the-Floor Rough (142013 AFR)



PIN system

Why choose AKER ?

- Built to perform
- Innovation for a flawless install
- Beauty that's built for life

Customer: _____

Project: _____ Quote #: _____

AKER representative: _____ Tel: _____

Date: _____

Standard Features

- Four-piece gelcoated fiberglass tub-shower with PIN system for easy front installation
- Large top corner shelves, wide soap dish and standard acrylic handle
- Right or left-hand drain
- Textured floor

Systems

- Homestead whirlpool system¹

Options

- Above-the-Floor Rough (model number 142013)
- Left wall reinforcement
- Right wall reinforcement
- Back wall reinforcement
- Wall reinforcement (3 walls)
- Chrome and Brushed Nickel handle replacing acrylic bar
- Modern 18 in. or 24 in. grab bars, White, Chrome or Brushed Nickel
- In-line heater (factory installed)
- Whirlpool pump position opposite than standard position
- Pre-assembled unit

Door selection

Combine with MAAX's complete shower door offering, visit www.maax.com

Certifications

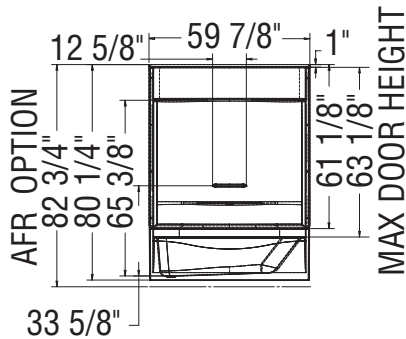
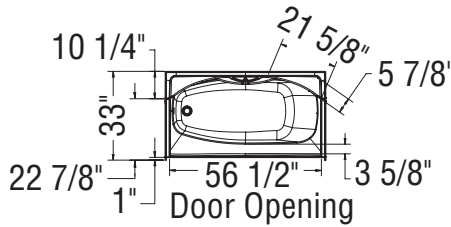
AKER products are certified by one or more of the following certification agencies.



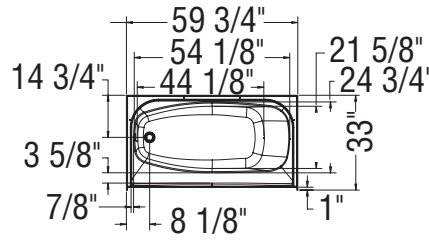
WWW.AKERBYMAAX.COM

Technical drawings

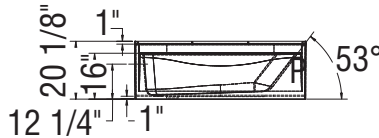
STANDARD



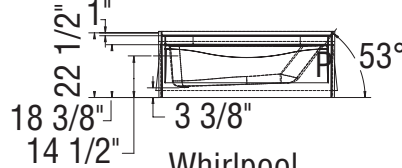
NO SYSTEM



NOT ABOVE-THE-FLOOR



ABOVE-THE-FLOOR

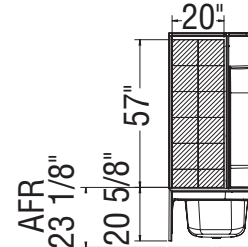


Whirlpool

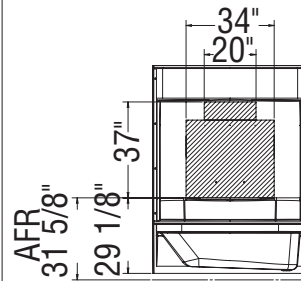


REINFORCEMENT BACKING

OPTION 20212-L Shown
OPTION 20212-R Symetrical

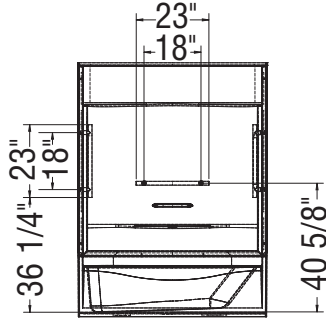


OPTION 20212-B

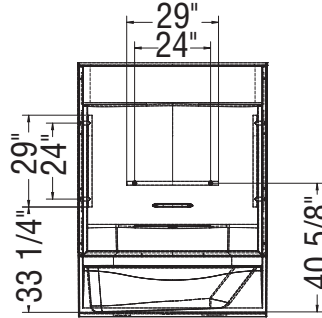


GRAB BARS

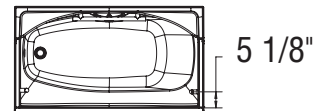
OPTION 20203



OPTION 20204

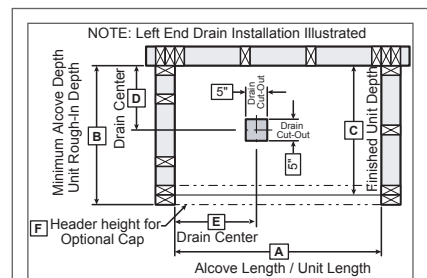


OPTION 20203-20204



FOOTNOTES - BEFORE ORDERING, PLEASE SPECIFY:

1. Handles for standard color tub showers are color-coordinated. Handles with metallic finish can be added (additional charge applies). For non-standard color tub showers, please specify handle color (additional charge applies for metallic finishes).
2. The pump on opposite side of standard location will exceed the bathtub dimensions from 8 to 10 inches.
3. Please see technical drawings for reinforcement positioning and size.
4. Please see technical drawings for grab bar positioning.

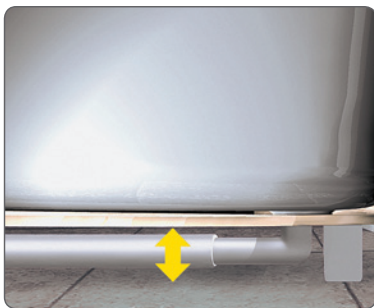


Model	No seat				
	A	B	C	D	E
142012	60"	33"	32"	14 3/4"	8 1/4"

TECHNICAL SPECIFICATIONS

KDTS-3060

59⁷/₈" x 30¹/₈" x 77¹/₂"
 MODEL NUMBER 142006



Above-the-Floor Rough (142007 AFR)



PIN system

Why choose AKER ?

- Built to perform
- Innovation for a flawless install
- Beauty that's built for life

Customer: _____

Project: _____ Quote #: _____

AKER representative: _____ Tel: _____

Date: _____

Standard Features

- Four-piece gelcoated fiberglass tub-shower with PIN system for easy front installation
- Large top corner shelves, wide soap dish and standard acrylic handle
- Right or left-hand drain
- Textured floor

Systems

- Homestead whirlpool system¹

Options

- Above-the-Floor Rough (model number 142007)
- Left wall reinforcement
- Right wall reinforcement
- Back wall reinforcement
- Wall Reinforcement (3 walls)
- Chrome and Brushed Nickel handle replacing acrylic bar
- Modern 18 in. or 24 in. grab bars, White, Chrome or Brushed Nickel
- In-line heater (factory installed)
- Whirlpool pump position opposite than standard position
- Pre-assembled unit

Door selection

Combine with MAAX's complete shower door offering, visit www.maax.com

Certifications

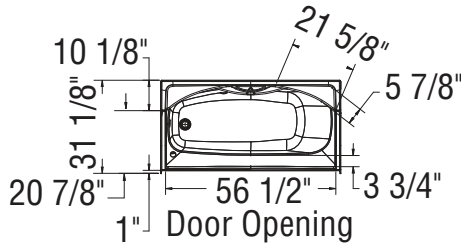
AKER products are certified by one or more of the following certification agencies.



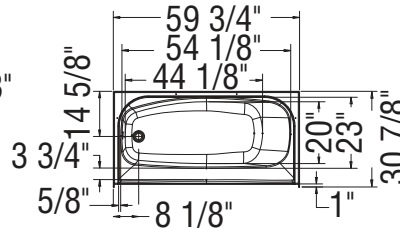
WWW.AKERBYMAAX.COM

Technical drawings

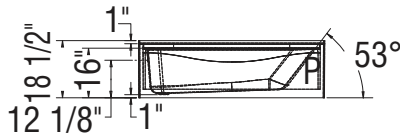
STANDARD



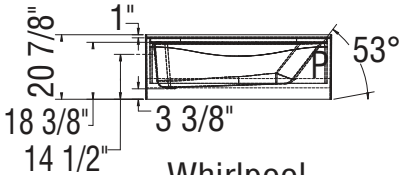
NO SYSTEM



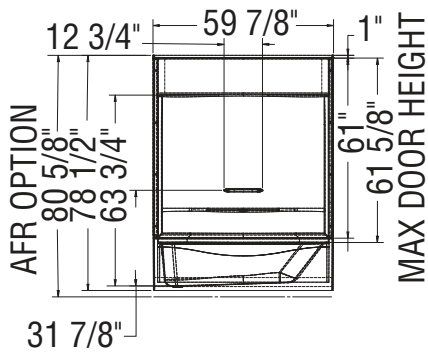
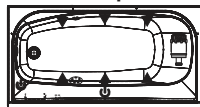
NOT ABOVE-THE-FLOOR



ABOVE-THE-FLOOR

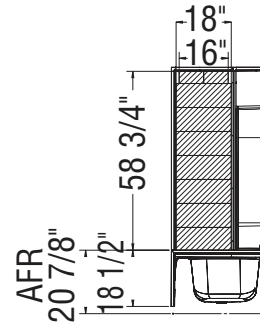


Whirlpool

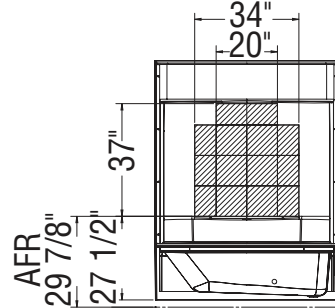


REINFORCEMENT BACKING

OPTION 20212-L Shown
OPTION 20212-R Symmetrical

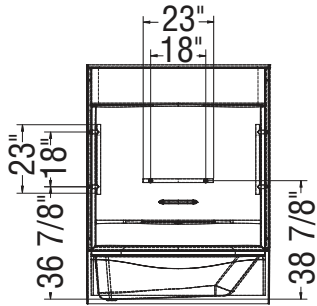


OPTION 20212-B

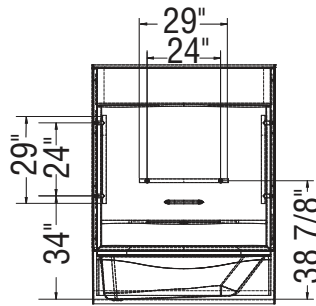


GRAB BARS

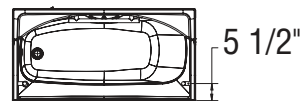
OPTION 20203



OPTION 20204

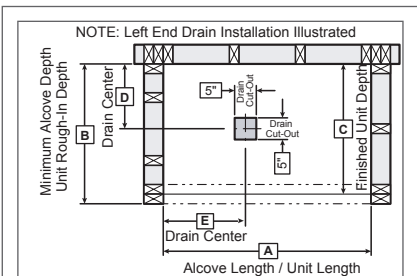


OPTION 20203-20204



FOOTNOTES - BEFORE ORDERING, PLEASE SPECIFY:

1. Handles for standard color tub showers are color-coordinated. Handles with metallic finish can be added (additional charge applies). For non-standard color tub showers, please specify handle color (additional charge applies for metallic finishes).
2. The pump on opposite side of standard location will exceed the bathtub dimensions from 8 to 10 inches.
3. Please see technical drawings for reinforcement positioning and size.
4. Please see technical drawings for grab bar positioning.

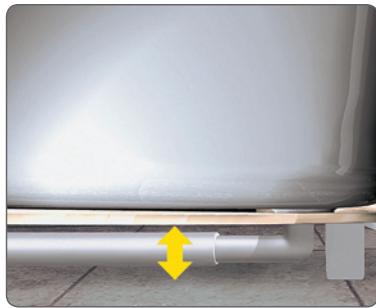


Model	No seat				
	A	B	C	D	E
142006	60"	31"	30"	14 1/4"	8 1/4"

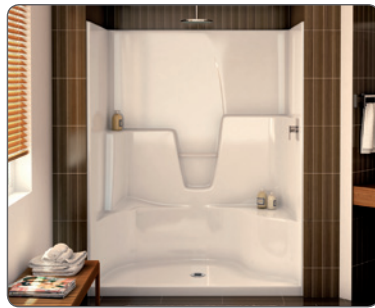
TECHNICAL SPECIFICATIONS

SHLS/RS-60

60" x 36" x 76½"
MODEL NUMBER 141036



Above-the-Floor Rough (AFR)



Why choose AKER ?

- Built to perform
- Innovation for a flawless install
- Beauty that's built for life

Customer: _____

Project: _____ Quote #: _____

AKER representative: _____ Tel: _____

Date: _____

Standard Features

- One-piece gelcoated fiberglass shower
- Two-level built-in corner shelves with standard clear acrylic bar
- Right or left-hand seat with integrated footrest (opposite to seat)
- Center drain
- Textured floor

Systems

- N/A

Options

- Gelcoat fiberglass roofcap
- Light for roofcap (factory drilled hole)
- 13 in. white powder coated grab bar, opposite to seat (factory installed)
- 16 in. white powder coated grab bar replacing acrylic bar (factory installed)
- Above-the-Floor Rough (AFR)

Door selection

Combine with MAAX's complete shower door offering, visit www.maax.com

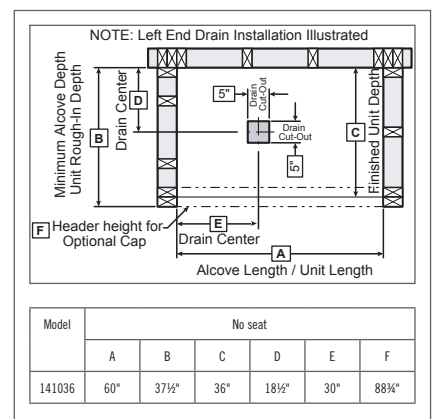
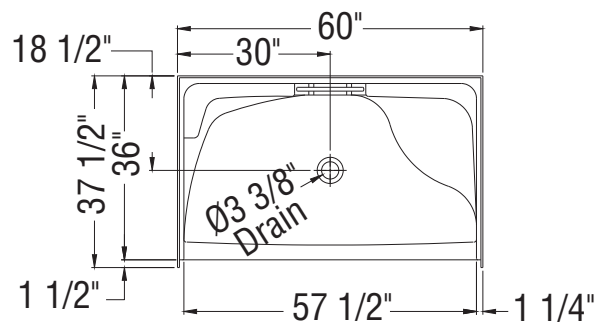
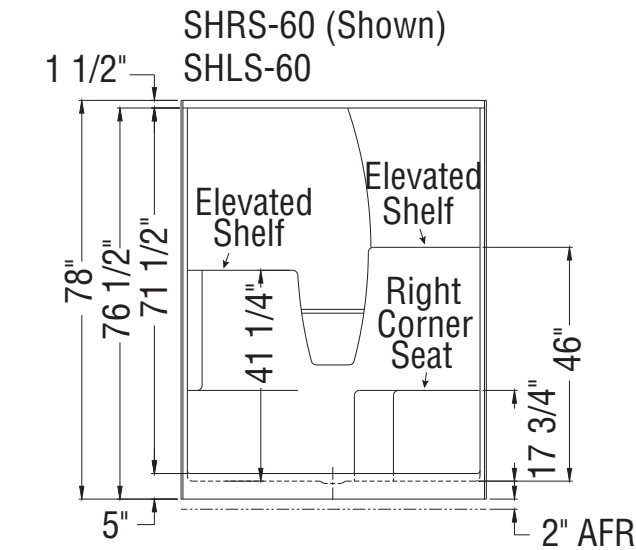
Certifications

AKER products are certified by one or more of the following certification agencies.



WWW.AKERBYMAAX.COM

Technical drawings



All dimensions are approximate. Structure measurements must be verified against the unit to ensure proper fit.

TECHNICAL SPECIFICATIONS

SHLS/RS-48

48¼" x 36" x 76½"
MODEL NUMBER 141033



Standard Features

- One-piece gelcoated fiberglass shower
- Two-level built-in corner shelves with standard clear acrylic bar
- Right or left-hand seat
- Center drain
- Textured floor

Systems

- N/A

Options

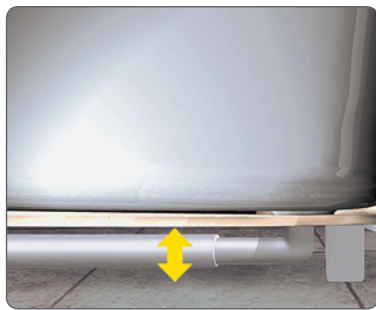
- Gelcoat fiberglass roofcap
- Light for roofcap (factory drilled hole)
- 13 in. white powder coated grab bar, opposite to seat (factory installed)
- 16 in. white powder coated grab bar replacing acrylic bar (factory installed)
- Above-the-Floor Rough (AFR)

Door selection

Combine with MAAX's complete shower door offering, visit www.maax.com

Certifications

AKER products are certified by one or more of the following certification agencies.



Above-the-Floor Rough (AFR)



Why choose AKER ?

- Built to perform
- Innovation for a flawless install
- Beauty that's built for life

Customer: _____

Project: _____ Quote #: _____

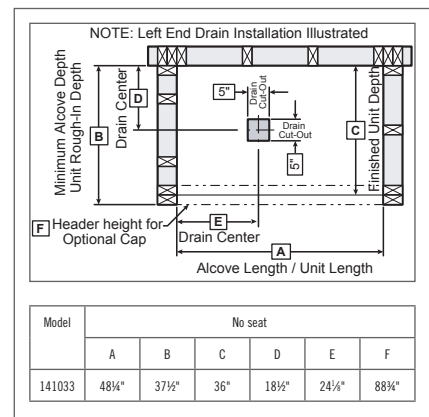
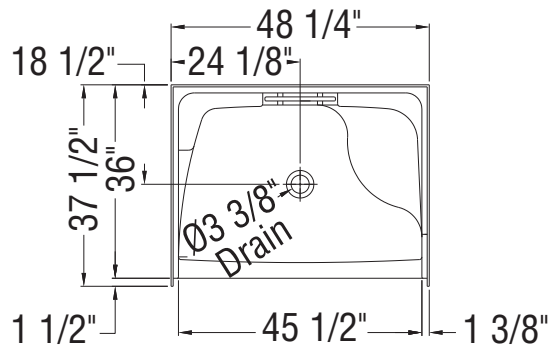
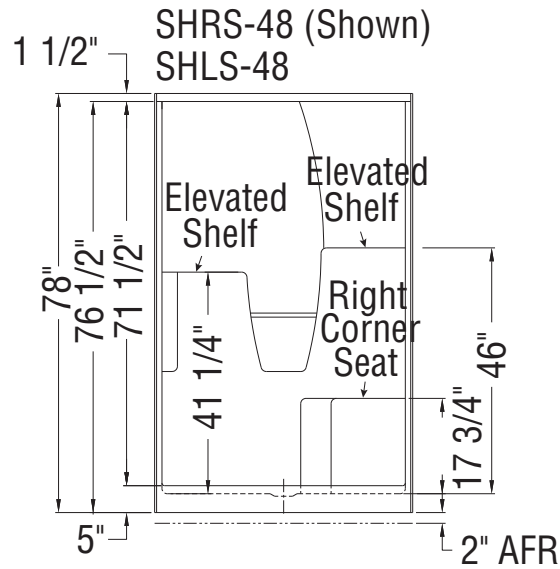
AKER representative: _____ Tel: _____

Date: _____



WWW.AKERBYMAAX.COM

Technical drawings

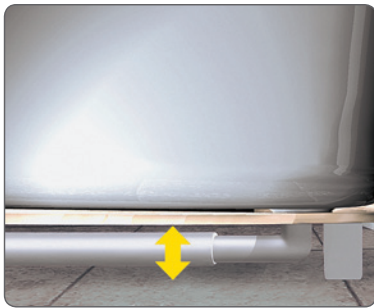


All dimensions are approximate. Structure measurements must be verified against the unit to ensure proper fit.

TECHNICAL SPECIFICATIONS

S-36

36" x 36" x 72"
MODEL NUMBER 141022



Above-the-Floor Rough (AFR)



Why choose AKER ?

- Built to perform
- Innovation for a flawless install
- Beauty that's built for life

Customer: _____

Project: _____ Quote #: _____

AKER representative: _____ Tel: _____

Date: _____

Standard Features

- One-piece gelcoated fiberglass shower
- Built-in corner shelves
- Center drain
- Textured floor

Systems

- N/A

Options

- Gelcoated fiberglass roofcap
- Light for roofcap (factory installed)
- Left wall reinforcement
- Right wall reinforcement
- Back wall reinforcement
- Wall reinforcement (3 walls)
- Above-the-Floor Rough (AFR)

Door selection

Combine with MAAX's complete shower door offering, visit www.maax.com

Certifications

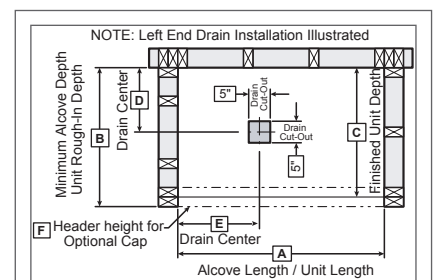
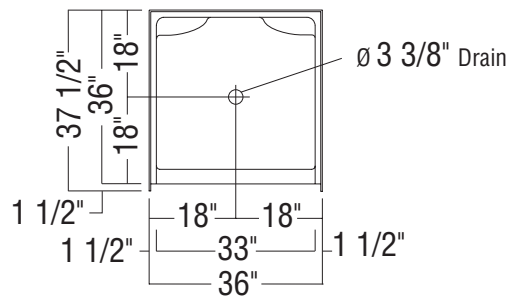
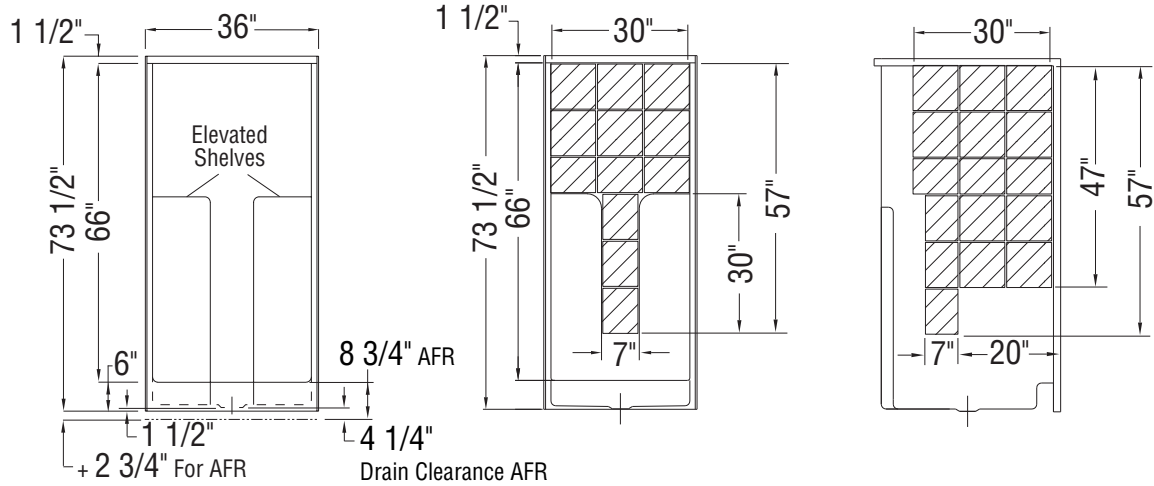
AKER products are certified by one or more of the following certification agencies.



WWW.AKERBYMAAX.COM

Technical drawings

With reinforcement



FOOTNOTES - BEFORE ORDERING, PLEASE SPECIFY:
1. Please see technical drawings for reinforcement positioning and size.

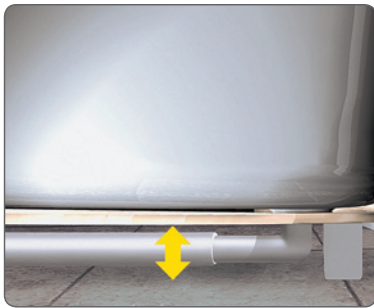
Model	No seat				
	A	B	C	D	E
141022	36"	37 1/2"	36"	18"	18"

All dimensions are approximate. Structure measurements must be verified against the unit to ensure proper fit.

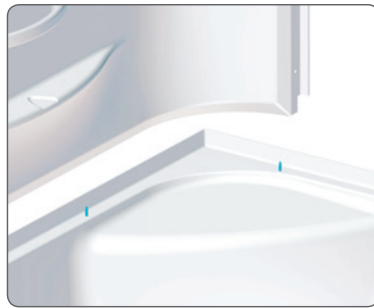
TECHNICAL SPECIFICATIONS

KDS-3060

59³/₄" x 30" x 80¹/₈"
MODEL NUMBER 142036



Above-the-Floor Rough (142037 AFR)



PIN system

Why choose AKER ?

- Built to perform
- Innovation for a flawless install
- Beauty that's built for life

Customer: _____

Project: _____ Quote #: _____

AKER representative: _____ Tel: _____

Date: _____

Standard Features

- Four-piece gelcoated fiberglass shower with PIN system for easy front installation
- Large top corner shelves, wide soap dish and standard acrylic handle
- Right/left-hand seat (drain opposite to seat) or no seat (center drain)
- Textured floor

Systems

- N/A

Options

- Above-the-Floor Rough (model number 142037)
- Left wall reinforcement
- Right wall reinforcement
- Back wall reinforcement
- Wall reinforcement (3 walls)
- Chrome and Brushed Nickel handle replacing acrylic bar
- Modern 18 in. or 24 in. grab bars, White, Chrome or Brushed Nickel
- Pre-assembled unit

Door selection

Combine with MAAX's complete shower door offering, visit www.maax.com

Certifications

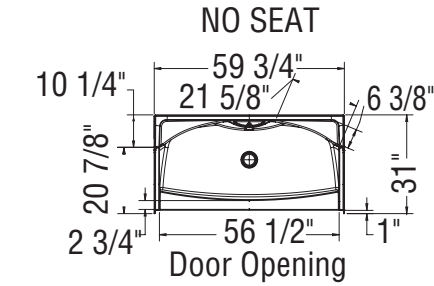
AKER products are certified by one or more of the following certification agencies.



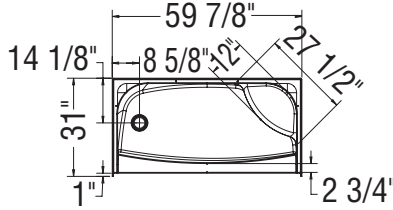
WWW.AKERBYMAAX.COM

Technical drawings

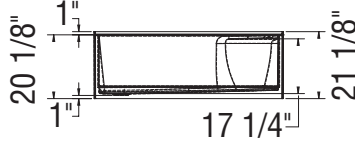
STANDARD



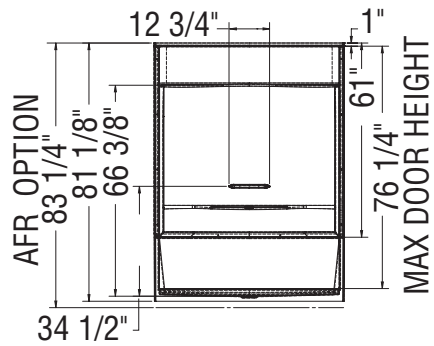
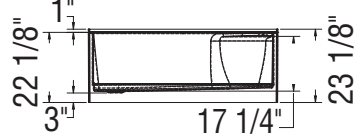
**RIGHT SEAT SHOWN
 LEFT SEAT SYMMETRICAL**



NOT ABOVE-THE-FLOOR

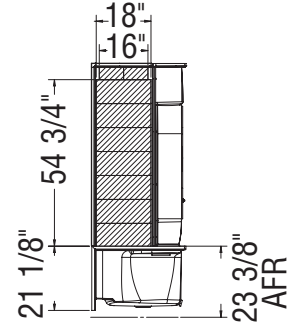


ABOVE-THE-FLOOR

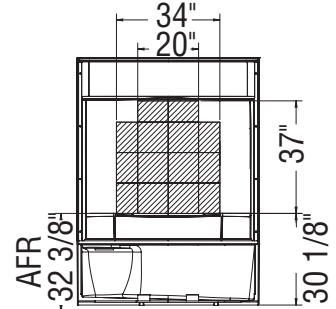


REINFORCEMENT BACKING

**OPTION 20212-L Shown
 OPTION 20212-R Symetrical**

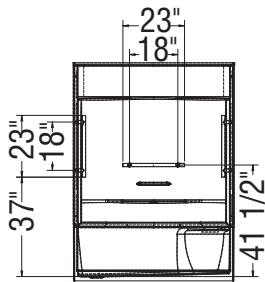


OPTION 20212-B

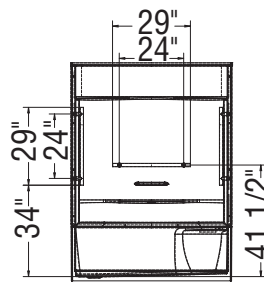


GRAB BARS

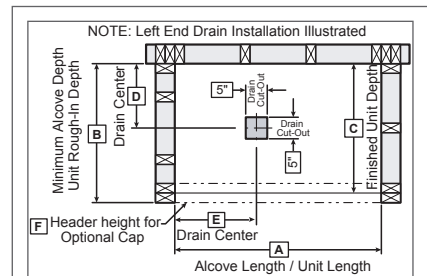
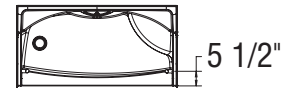
OPTION 20203



OPTION 20204



**OPTION
 20203-20204**



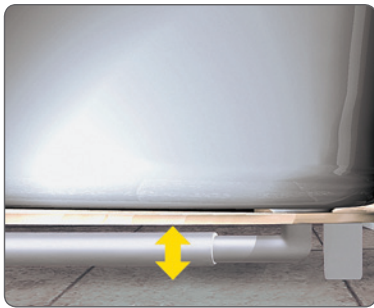
Model	No seat					Seat
	A	B	C	D	E	E*
142036	60"	31"	30"	14 1/4"	30"	8 1/2"

All dimensions are approximate. Structure measurements must be verified against the unit to ensure proper fit.

TECHNICAL SPECIFICATIONS

KDS-3448

47⁷/₈" x 33⁵/₈" x 80¹/₈"
MODEL NUMBER 142030



Above-the-Floor Rough (142031 AFR)



PIN system

Why choose AKER ?

- Built to perform
- Innovation for a flawless install
- Beauty that's built for life

Customer: _____

Project: _____ Quote #: _____

AKER representative: _____ Tel: _____

Date: _____

Standard Features

- Four-piece gelcoated fiberglass shower with PIN system for easy front installation
- Large top corner shelves, wide soap dish and standard acrylic handle
- Right/left-hand seat or no seat
- Center drain
- Textured floor

Systems

- N/A

Options

- Above-the-Floor Rough (model number 142031)
- Left wall reinforcement
- Right wall reinforcement
- Back wall reinforcement
- Wall reinforcement (3 walls)
- Chrome and Brushed Nickel handle replacing acrylic bar
- Modern 18 in. or 24 in. grab bars, White, Chrome or Brushed Nickel
- Pre-assembled unit

Door selection

Combine with MAAX's complete shower door offering, visit www.maax.com

Certifications

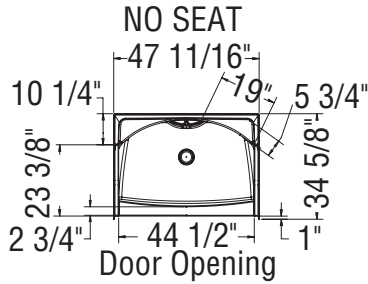
AKER products are certified by one or more of the following certification agencies.



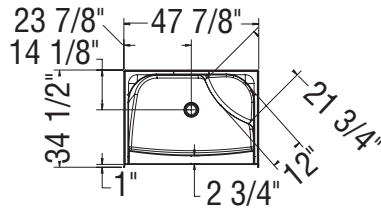
WWW.AKERBYMAAX.COM

Technical drawings

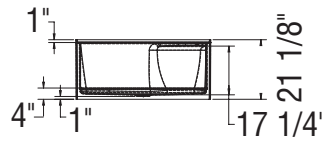
STANDARD



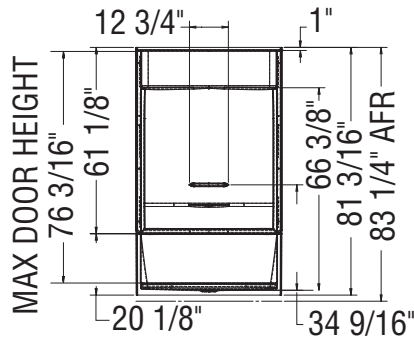
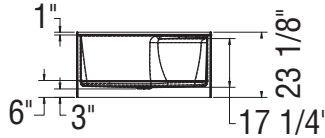
RIGHT SEAT SHOWN
LEFT SEAT SYMMETRICAL



NOT ABOVE-THE-FLOOR

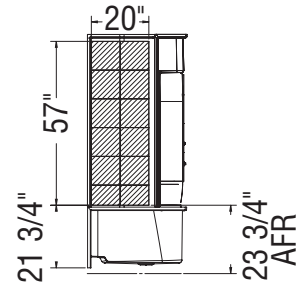


ABOVE-THE-FLOOR

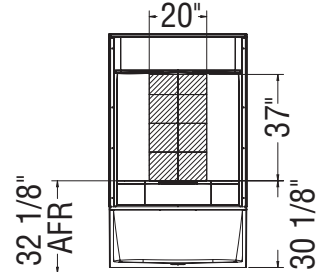


REINFORCEMENT BACKING

OPTION 20212-L Shown
OPTION 20212-R Symetrical



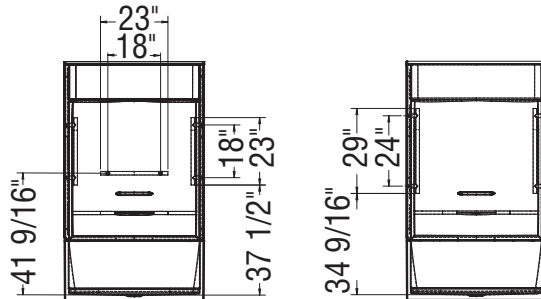
OPTION 20212-B



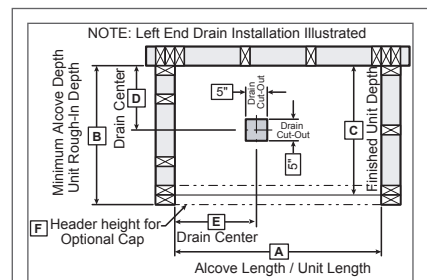
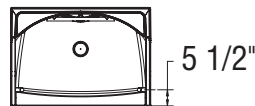
GRAB BARS

OPTION 20203

OPTION 20204



OPTION
20203-20204



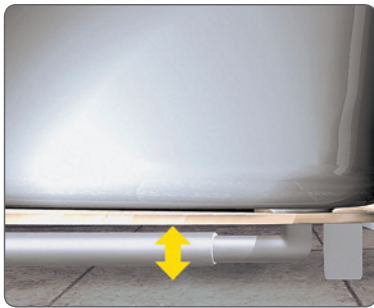
Model	No seat					Seat
	A	B	C	D	E	D*
142030	48"	34 ¹ / ₂ "	33 ¹ / ₂ "	14 ¹ / ₄ "	24"	14 ¹ / ₄ "

All dimensions are approximate. Structure measurements must be verified against the unit to ensure proper fit.

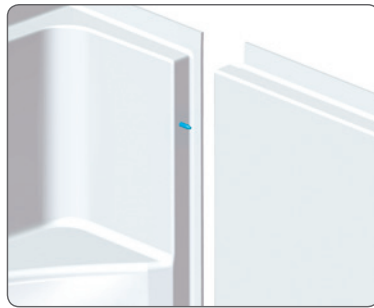
TECHNICAL SPECIFICATIONS

KDS-3636

35⁷/₈" x 36" x 76"
MODEL NUMBER 142024



Above-the-Floor Rough (142025 AFR)



PIN system

Why choose AKER ?

- Built to perform
- Innovation for a flawless install
- Beauty that's built for life

Customer: _____

Project: _____ Quote #: _____

AKER representative: _____ Tel: _____

Date: _____

Standard Features

- Four-piece gelcoated fiberglass shower with PIN system for easy front installation
- Large top corner shelves, footrests and standard acrylic handle
- Center drain
- Textured floor

Systems

- N/A

Options

- Above-the-Floor Rough (model number 142025)
- Left wall reinforcement
- Right wall reinforcement
- Back wall reinforcement
- Wall reinforcement (3 walls)
- Chrome and Brushed Nickel handle replacing acrylic bar
- Modern 18 in. or 24 in. grab bars, White, Chrome or Brushed Nickel
- Pre-assembled unit

Door selection

Combine with MAAX's complete shower door offering, visit www.maax.com

Certifications

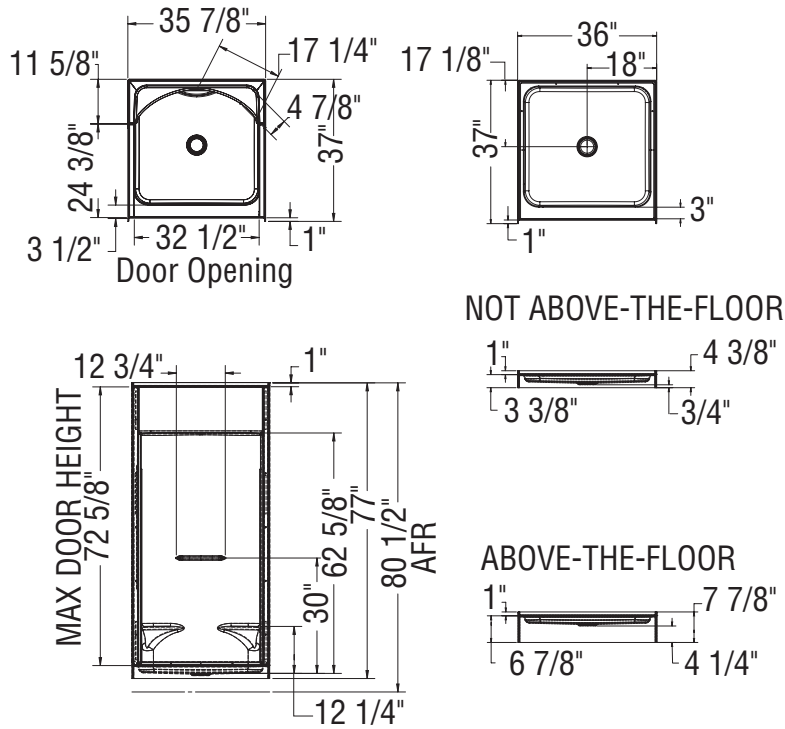
AKER products are certified by one or more of the following certification agencies.



WWW.AKERBYMAAX.COM

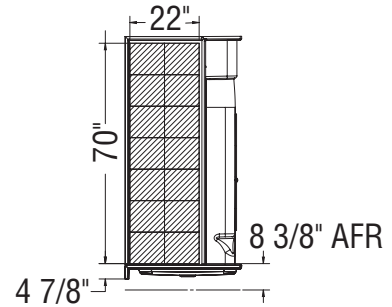
Technical drawings

STANDARD

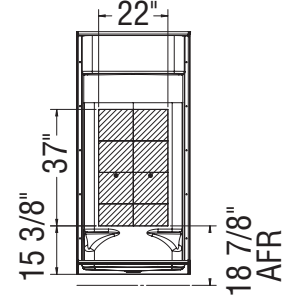


REINFORCEMENT BACKING

OPTION 20212-L Shown
OPTION 20212-R Symmetrical



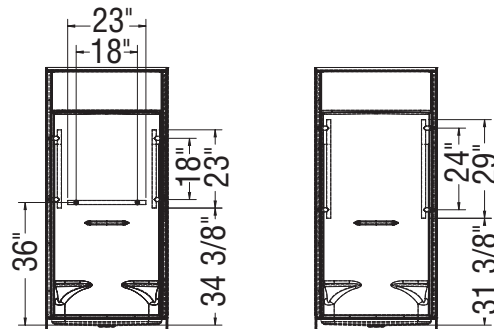
OPTION 20212-B



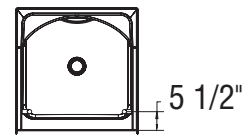
GRAB BARS

OPTION 20203

OPTION 20204

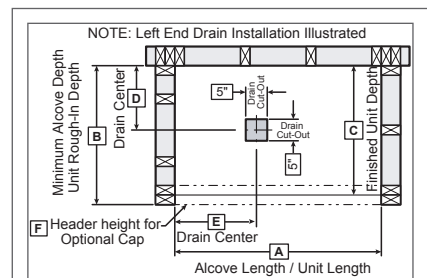


OPTION
20203-20204



FOOTNOTES - BEFORE ORDERING, PLEASE SPECIFY:

1. Handles for standard color showers are color-coordinated. Handles with metallic finish can be added (additional charge applies). For non-standard color showers, please specify handle color (additional charge applies for metallic finishes).
2. Please see technical drawings for reinforcement positioning and size.
3. Please see technical drawings for grab bar positioning.



Model	No seat				
	A	B	C	D	E
142024	36"	37"	36"	17 1/4"	18"