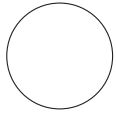


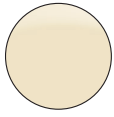
RN IBIZA 60" x 60" x 21.5"

AirBath option will add 1" to height of unit

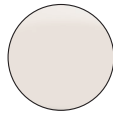
Premium Thermal Cast Acrylic



white



bone



biscuit

Cut-Out

1" to inside dimension around the rim

Operating Capacity

71 Gallons

Shipping Weight:

Soaker - 182 lbs

Whirlpool - 212 lbs

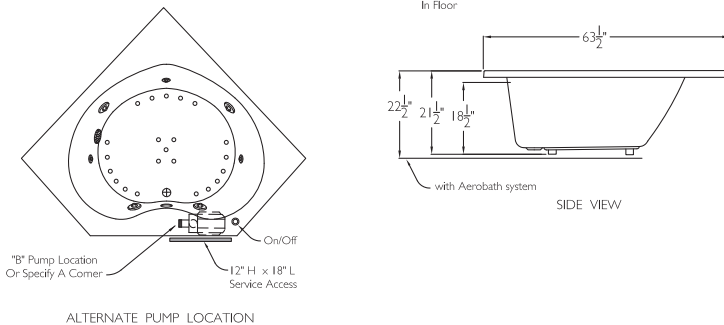
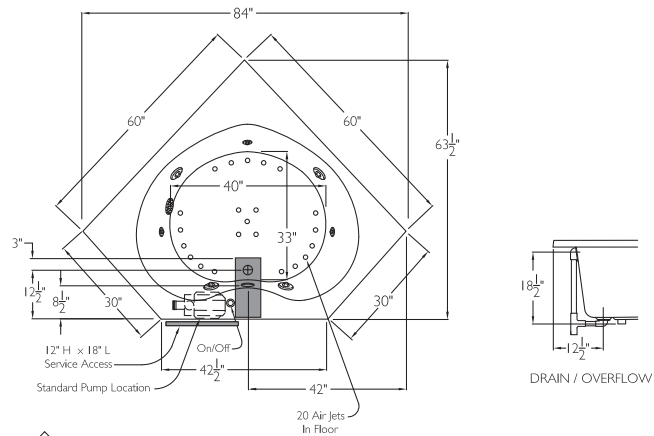
Hydro-Massage System

4 Premium Power-Flow Adjustable Jets

3 Lumbar Ease-Flow Adjustable Jets

Optional Features

- Skirt
Factory installed - Aventura
Field or factory installed - Deco
- Cast Acrylic Nailing Flange
Yes
- In-Line Heater
Yes



CONTRACTOR ADVANTAGE
soaker tubs | whirlpools | air tubs



soaker tub



whirlpool



airtub

