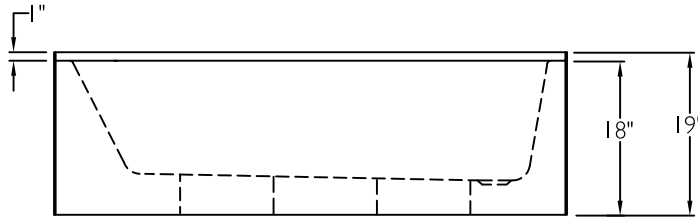


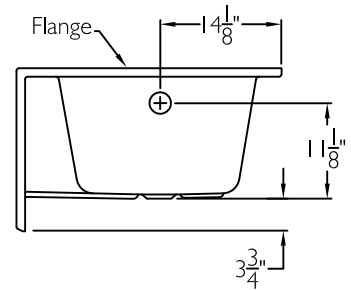
# LUXURY ACRYLIC SERIES

## SUBMITTAL DATA

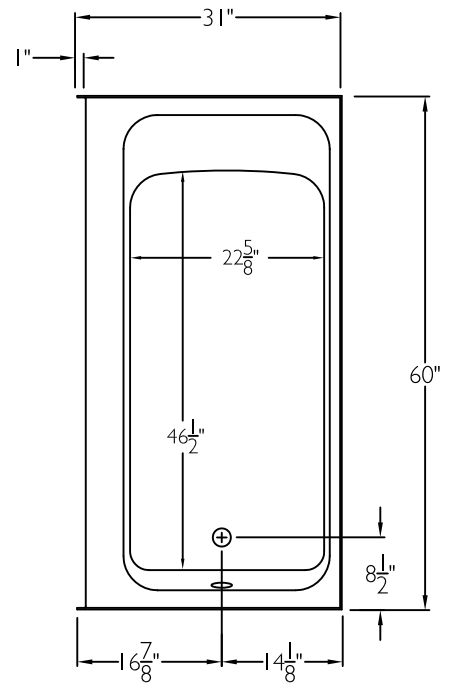
FRONT VIEW



END VIEW



TOP VIEW



DUE TO THE NATURE OF THE MATERIALS  
DIMENSIONS MAY VARY +/- 1/2"

### Applied Acrylic Tub Only Handed

This skirted tub enclosure shall be Praxis model G6030 TO SMINM above floor rough in with left or right drain. Finished surface shall be of a sanitary grade applied acrylic.

The unit shall have outside dimensions of 60" x 31" x 19". The bathtub shall meet ANSI Z124.1.2, and CSA B45.5.

The enclosure shall be equipped with the following accessories:

1. Applied Acrylic Finish.
2. Left Or Right Drain Location.
3. Slip Resistant Bottom.
4. 3 3/4" Above Floor Rough-In.
5. Skirted Design.

Job Name:

**PRAXIS**

Model No:

Drawing #: G 6030 TO SMINM-LR

Approved By:

Date Approved:

Date: 2-13-17.

Revised: 3-19-20.

Rep:

Wholesaler:

Quote No: