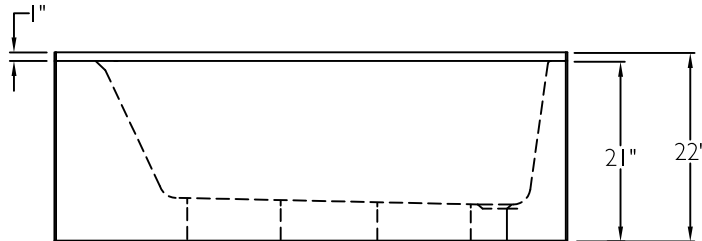


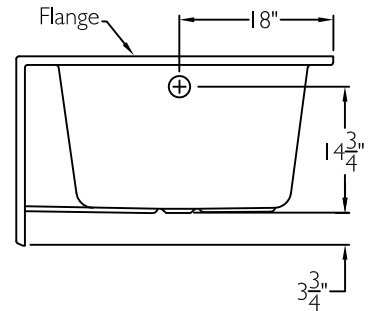
LUXURY ACRYLIC SERIES

SUBMITTAL DATA

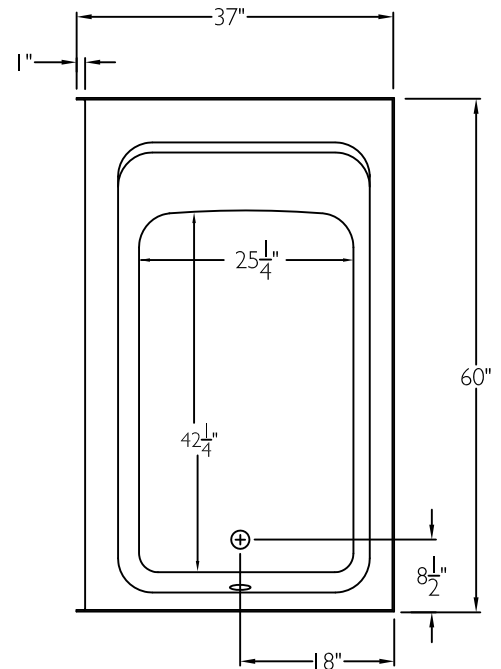
FRONT VIEW



END VIEW



TOP VIEW



DUE TO THE NATURE OF THE MATERIALS
DIMENSIONS MAY VARY + - 1/2"

Applied Acrylic Tub Only Handed

This skirted tub enclosure shall be Praxis model G6036 TO SMINM above floor rough in with left or right drain. Finished surface shall be of a sanitary grade applied acrylic.

The unit shall have outside dimensions of 60" x 37" x 22". The bathtub shall meet ANSI Z124.1.2, and CSA B45.5.

The enclosure shall be equipped with the following accessories:

1. Applied Acrylic Finish.
2. Left Or Right Drain Location.
3. Slip Resistant Bottom.
4. 3 3/4" Above Floor Rough-In.
5. Skirted Design.

Job Name:		PRAXIS	
Model No:		Drawing #: G 6036 TO SMINM-LR	
Approved By:	Date Approved:	Date: 2-13-17.	Revised: 3-24-20.
Rep:	Wholesaler:	Quote No:	