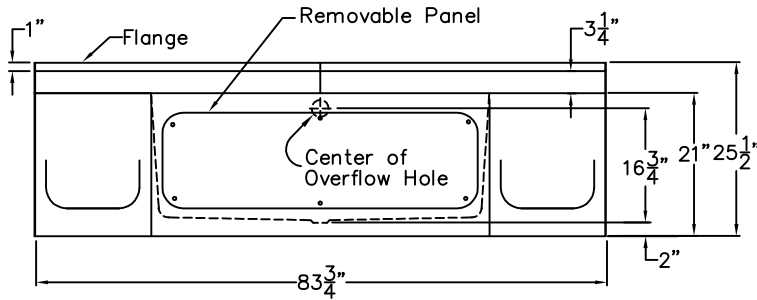


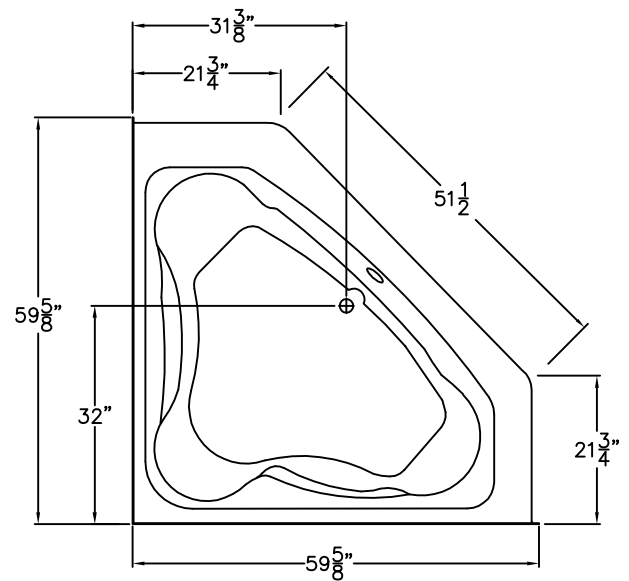
Luxury Acrylic Series

SUBMITTAL DATA

FRONT VIEW



TOP VIEW



Corner Bathtub

This corner soaking bathtub shall be Aquarius Model G 6060 RS center drain location. Finished surface shall be of sanitary-grade applied acrylic. The unit shall have outside dimensions of 59 5/8" x 59 5/8" x 25 1/2". The unit shall meet IAPMO Z124-2011, and CSA B45.5-11.

The enclosure shall be equipped with the following factory installed accessories:

- 1) Molded seat at the corner,
- 2) Wainscot along the straight wall,
- 3) Integral molded apron/skirt,
- 4) Removable access panel,
- 5) Water capacity: 85 US Gallons.

DUE TO THE NATURE OF THE MATERIALS
DIMENSIONS MAY VARY ± 1/2"

Job Name:

AQUARIUS

Approved By Print Name:

Drawing#: G 6060 RS

Approved By Signature:

Date:

Date: 8-4-04

Revised: 10-12-16

Rep.:

Wholesaler:

Quote No.:

PRAXIS INDUSTRIES, LLC.
435 INDUSTRIAL RD - SAVANNAH, TN 38372
1 (800) 443-7269 - FAX (731) 925-4290