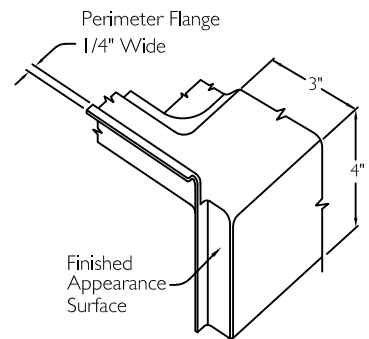
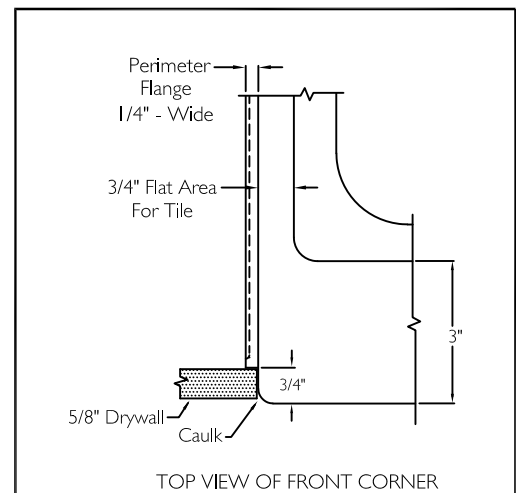
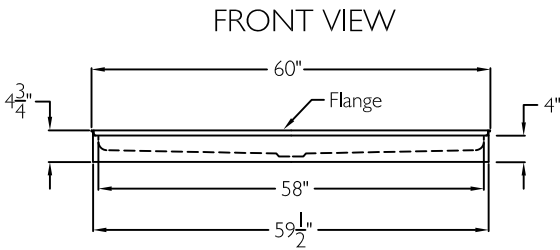
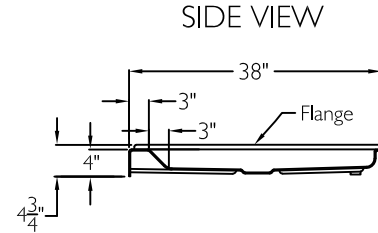
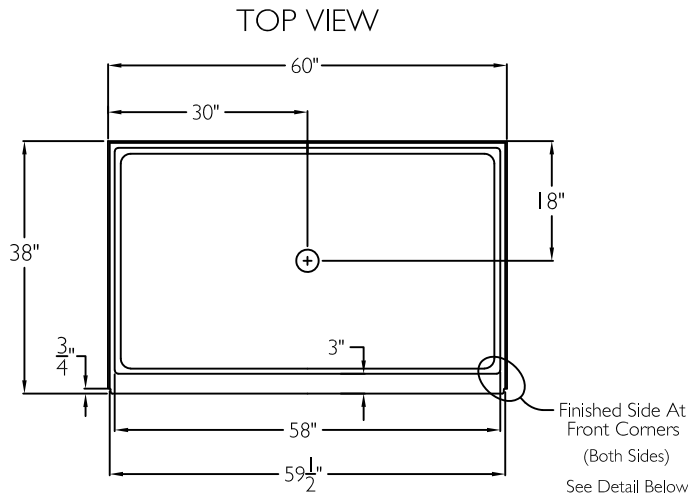


Confort Series

SUBMITTAL DATA



DUE TO THE NATURE OF THE MATERIALS
DIMENSIONS MAY VARY +- 1/2"

Shower Pan

This shower pan shall be Model G 6038 SH ANSI-B PAN center drain. Finished surface shall be of sanitary-grade AcrylX™ applied acrylic. The unit shall have outside dimensions of 60" x 38" x 4 3/4". The unit shall meet IAPMOZ124, HUD-UM73, CSA B45.5-11, and Home Innovation Reserch Lab.

The enclosure shall be equipped with the following factory installed accessories:

- 1) Applied acrylic finish,
- 2) Center drain location,
- 3) 3/4" high, 1/4" wide perimeter flange on top,
- 4) No recessed flanges at front,
- 5) Finished appearance surface on sides at front (see detail),
- 6) 4.0" Threshold.

Job Name:

PRAXIS

Approved By Print Name:

Drawing #: G 6038 SH 4.0 ANSI-B Pan

Approved By Signature:

Date:

Date: 2-7-20.

Revised: 7-17-20.

Rep:

Wholesaler:

Quote No:

PRAXIS INDUSTRIES, INC.
ROUTE 1, BOX 46D - SAVANNAH, TN, 38372
1 (800) 443 - 7269 - FAX (901) 925 - 4290