

AcryIX™ APPLIED ACRYLIC shower bases



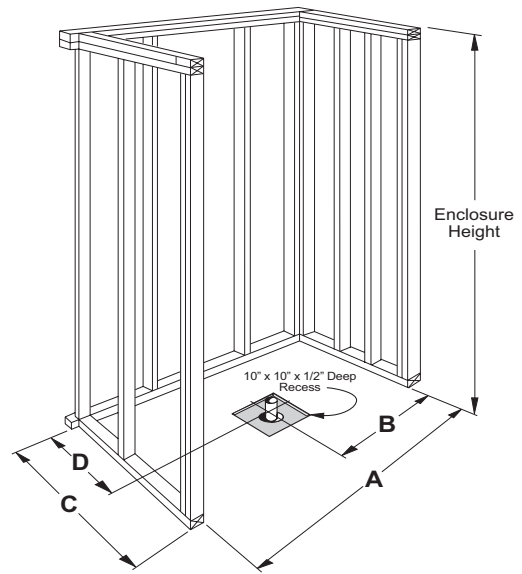
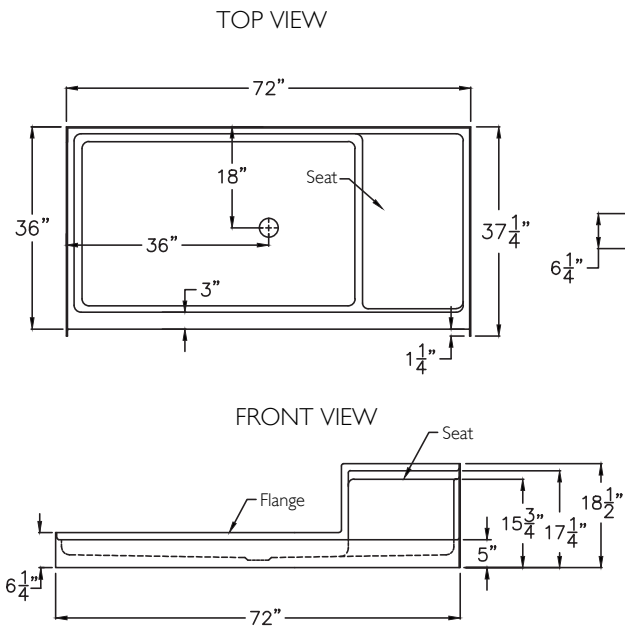
G 7236 SH IS PAN 72" x 36" x 19"

AcryIX™ shower base with one seat and 5" EasyStep™ threshold.

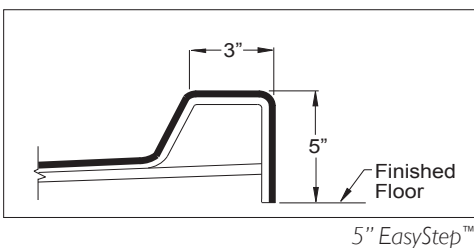
HANDED left or right seat

WEIGHT 96

CODES IPC, UPC, ANSI Z 124.2



CENTER DRAIN	A	B	C	D
G 7236 SH IS PAN	72 1/4"	36 1/8"	37 1/4"	18"



upgrade to SOLID SURFACE

Solid Surface is available as an upgrade to standard AcryIX™ and has a lifetime warranty.

