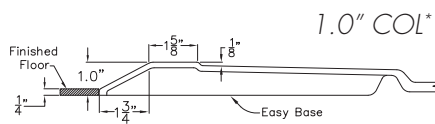
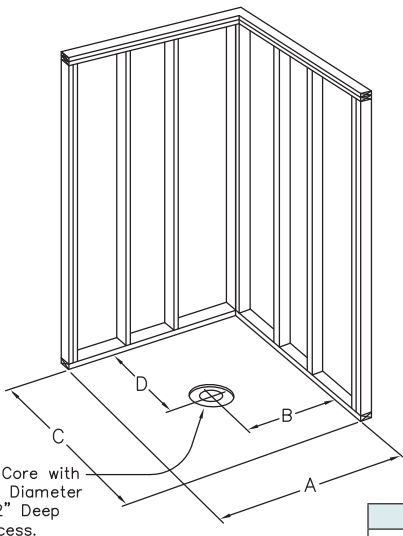
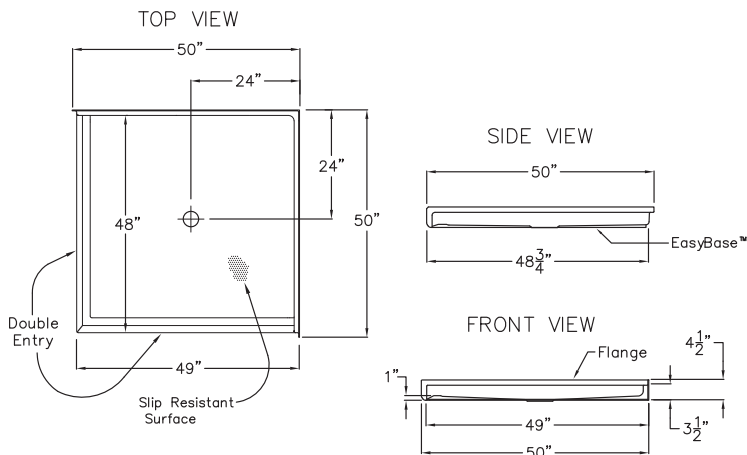


# Multi-piece Showers

**MPB 4848 BF DE 1.0 C**



A	B	C	D
50"	24"	50"	24"



Barrier Free  
Threshold



Solid Surface  
Finish



Gelcoat  
Finish

OUTER DIMENSION	50" x 50" x 4.5"
THRESHOLD	1.0" COL*
DRAIN	Center
HANDED	Drain
SHIPPING WEIGHT	102
LOAD FACTOR	0.33
TRUCK LOAD FACTOR	0.33

## NOTES

\*COL Change of level threshold has a manageable 0.25" vertical rise to easily coordinate with minimum finished flooring.

**CODES** code compliant with IPC, UPC, and ANSI Z 124.2 only.

**EasyBase™** Self-supporting and pre-levelled shower base, EasyBase™, is standard on all barrier free shower bases. EasyBase™ is not offered on EasyStep™ models.

**RAPID SHIP** All shower bases are in stock for rapid shipment - ships in four business days.

**WARRANTY** All shower bases are offered with an unprecedented thirty year limited warranty.



Empowering People Of All Ages & Abilities  
 The Praxis Companies, LLC | Praxis Makes Perfect  
 800.443.7269 | praxiscompanies.com