



PRAXIS

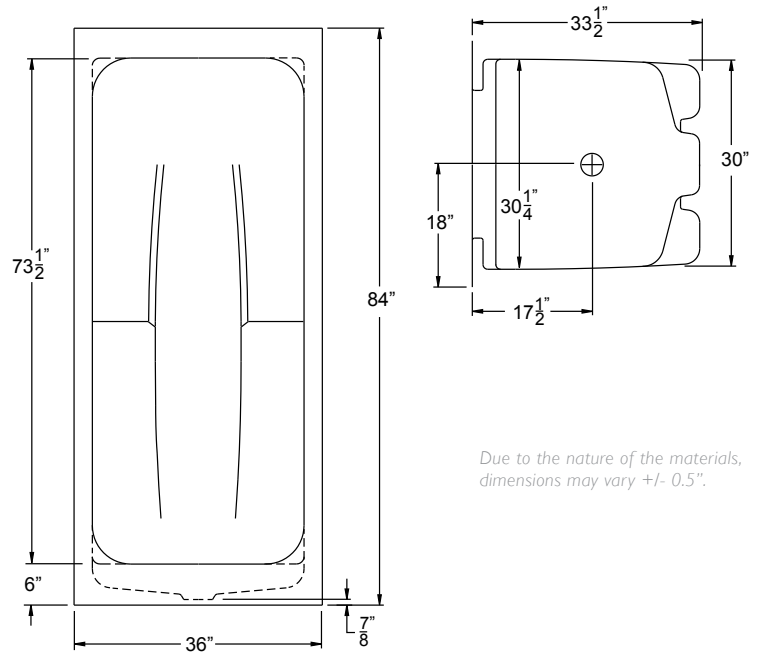
storage solutions

open-top & extra tall domed
premium thermal cast acrylic

A3634SHCS

36" x 33.5" x 84"

Enclosure: up to 30.25" x 73"



*Due to the nature of the materials,
dimensions may vary +/- 0.5".*

FEATURES

FINISH	PRODUCT	PIECES	SEAT	TOP
Thermal Cast Acrylic	Shower	One	n/a	Domed

OPTIONS

WHIRLPOOL	CAST ACRYLIC COLORS	ACCESSORIES
n/a	White, Biscuit	Drain

TECHNICAL INFORMATION

WT	LOAD FACTOR	HANDED BY	CODES
160	1	Center Drain	ANSI 124.2, UPC

WARRANTY

Thermal Cast Acrylic - 5 Year Limited



HIGHEST GRADE
premium thermal
cast acrylic finish



MORE STORAGE
over 140 square inches
of shelving space,
120 square inches of
usable deck space



SMOOTH LEDGES
for easy bottle storage
placement

CUSTOMER SERVICE 800.443.7269

435 Industrial Road | Savannah, TN 38372 | Fax 731.925.4290 | www.praxiscompanies.com

Rev. 012017