

SAFE. ACCESSIBLE.
BATHING SOLUTIONS.

MyPlace™ AcrylX™ multi-piece showers

MP 6030 BF 5P .75 C

OUTER DIMENSION	60" x 31" x 77.75"
ENCLOSURE (up to)	57.75" x 72.75"
THRESHOLD	0.75" COL*
DRAIN	Center
HANDED	Drain
SHIPPING WEIGHT	437
LOAD FACTOR	2.4
TRUCK LOAD FACTOR	0.64



Barrier Free
Threshold



AcrylX™
Finish

NOTES

*COL Change of level threshold has a manageable 0.25" vertical rise to easily coordinate with minimum finished flooring.

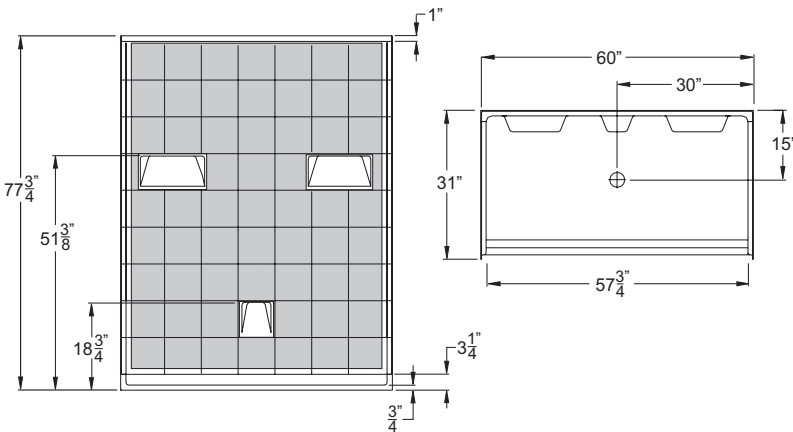
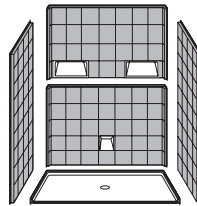
CODES ANSI Z 124.2, HUD, FHA, CSA, NAHB (Home Innovation Research Lab)

EasyBase™ Self-supporting and pre-levelled shower base, EasyBase™, is standard on all barrier free multi-piece showers. EasyBase™ is not offered on EasyStep™ models.

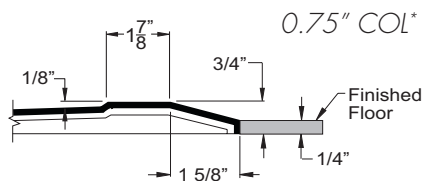
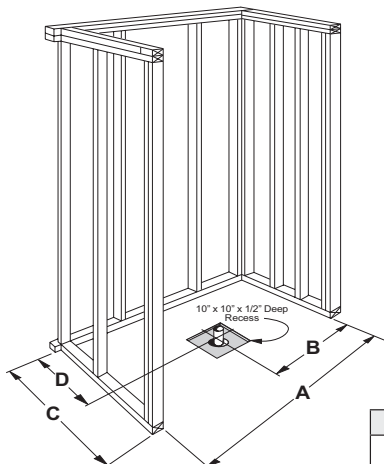
WOOD BACKING All multi-piece showers are offered standard with wood reinforced walls.

RAPID SHIP All multi-piece showers are in stock for rapid shipment - ships in four business days.

WARRANTY All multi-piece showers are offered with an unprecedented thirty year limited warranty.



gray shading represents wood backing



A	B	C	D
60.25"	30.125"	31.25"	15"

Due to the nature of the materials, dimensions may vary +/- 0.5".



THE PRAXIS COMPANIES | praxiscompanies.com
customer service 800.443.7269