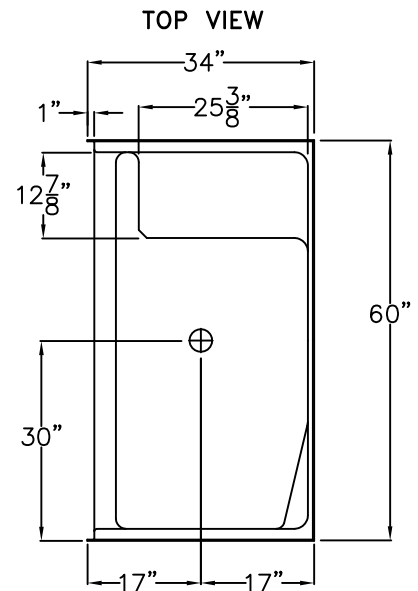
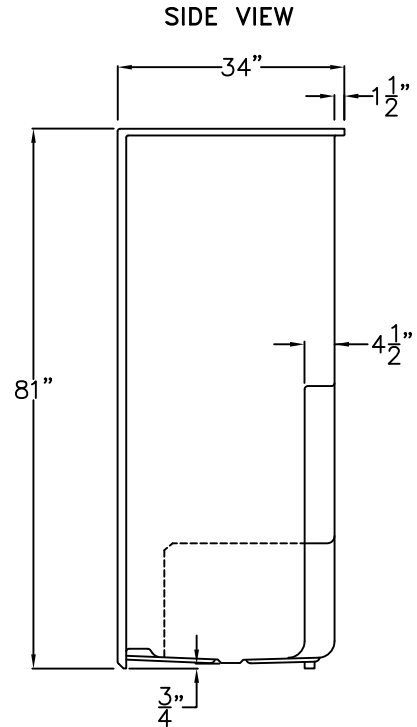
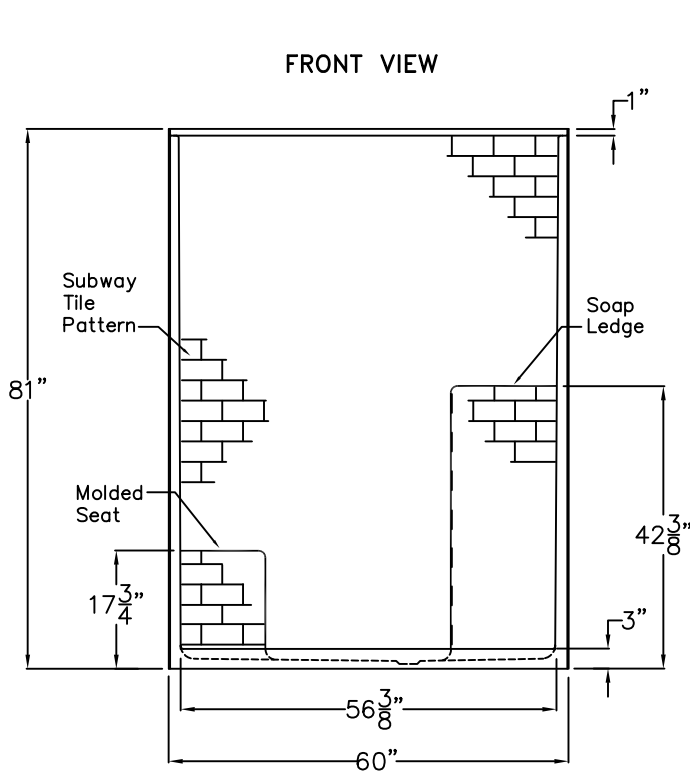


# Luxury Acrylic Series

## SUBMITTAL DATA



DUE TO THE NATURE OF THE MATERIALS  
DIMENSIONS MAY VARY ± 1/2"

### Simulated Tile Shower

This shower shall be Praxis Model 16034SH1SSTLR center drain. Finished surface shall be of sanitary-grade applied acrylic. The unit shall have outside dimensions of 60" x 34" x 81". The unit shall meet IAPMO Z124-2011, and CSA B45.5-11.

The enclosure shall be equipped with the following factory installed accessories:

- 1) Simulated tile finish,
- 2) Center drain location,
- 3) Molded corner soap ledge,
- 4) Molded seat left or right,
- 5) 3.0 threshold.

Job Name:		<b>PRAXIS</b>	
Approved By Print Name:		Drawing#: 16034SH1SSTLR	
Approved By Signature:		Date:	Date: 3-13-19    Revised: 11-22-19
Rep.:		Wholesaler:	
		Quote No.:	

PRAXIS INDUSTRIES, LLC.  
435 INDUSTRIAL RD - SAVANNAH, TN 38372  
1 (800) 443-7269 - FAX (731) 925-4290