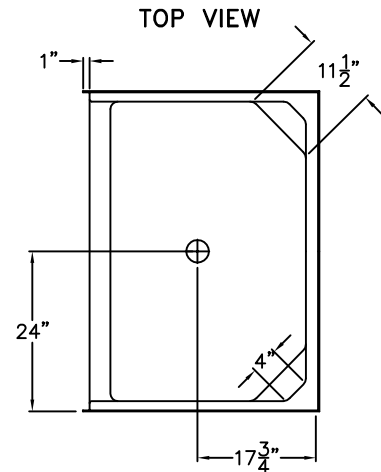
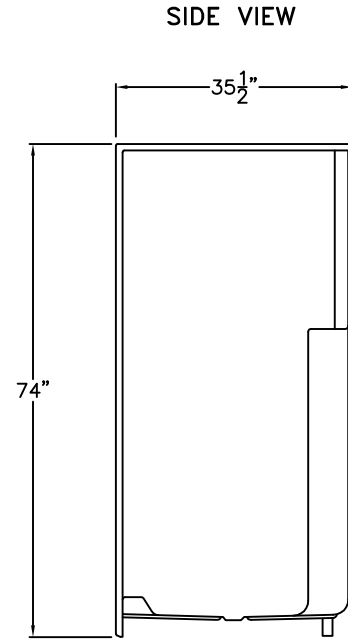
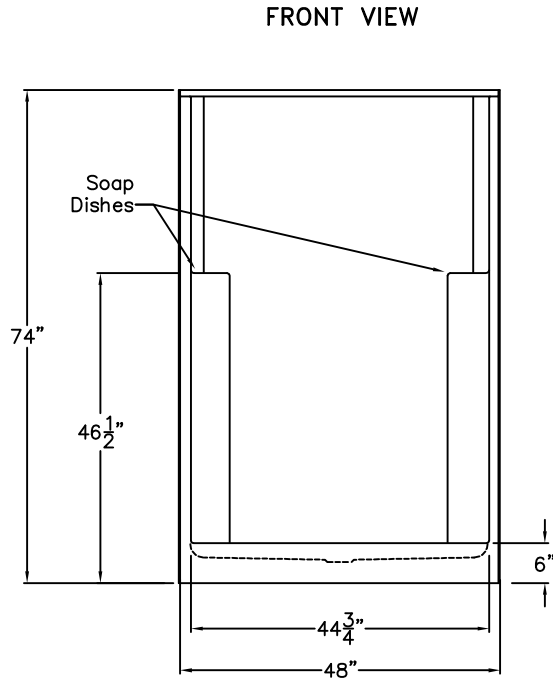


# Luxury Acrylic Series

## SUBMITTAL DATA



### Smooth Wall Shower

This shower enclosure shall be Aquarius Model G 4836 SH NS center drain. Finished surface shall be of sanitary-grade applied acrylic. The unit shall have outside dimensions of 48" x 35 1/2" x 74". The unit shall meet IAPMO Z124-2011, and CSA B45.5-11.

The enclosure shall be equipped with the following factory installed accessories:

- 1) Two molded soap dishes,
- 2) Center drain location,
- 3) 6.0" threshold.

DUE TO THE NATURE OF THE MATERIALS  
DIMENSIONS MAY VARY ± 1/2"

<b>Job Name:</b>	<b>AQUARIUS</b>
<b>Approved By Print Name:</b>	<b>Drawing#: G 4836 SH NS 6.0</b>
<b>Approved By Signature:</b> _____	<b>Date: 11-1-00</b> <span style="float: right;"><b>Revised: 10-10-16</b></span>
<b>Rep.:</b> _____	<b>Quote No.:</b> _____

PRAXIS INDUSTRIES, LLC.  
435 INDUSTRIAL RD - SAVANNAH, TN 38372  
1 (800) 443-7269 - FAX (731) 925-4290