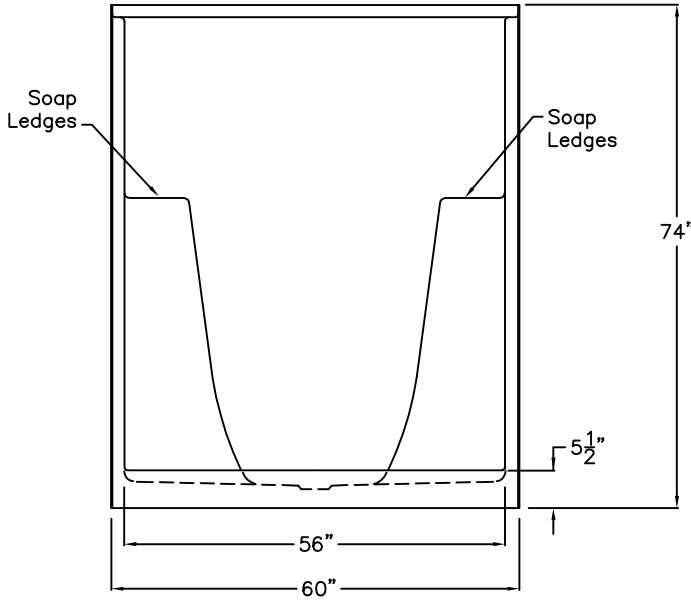


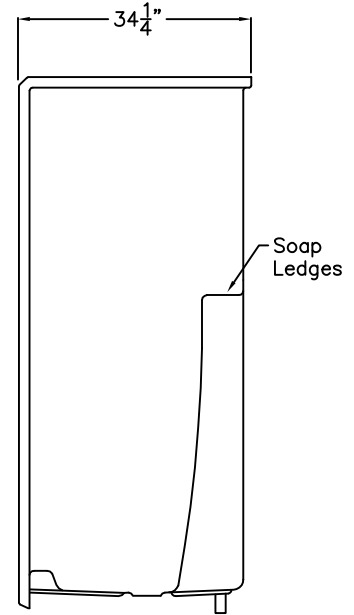
Luxury Acrylic Series

SUBMITTAL DATA

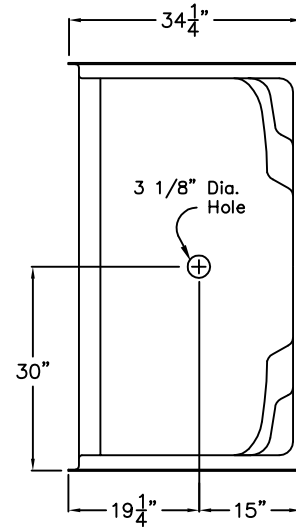
FRONT VIEW



SIDE VIEW



TOP VIEW



DUE TO THE NATURE OF THE MATERIALS
DIMENSIONS MAY VARY ± 1/2"

Smooth Wall Shower

This shower enclosure shall be Aquarius Model G 6034 SH NS center drain. Finished surface shall be of sanitary-grade applied acrylic. The unit shall have outside dimensions of 60" x 34 1/4" x 74". The unit shall meet IAPMO Z124-2011, and CSA B45.5-11.

The enclosure shall be equipped with the following factory installed accessories:

- 1) Molded corner soap ledges,
- 2) Center drain location,
- 3) 5 1/2" threshold.

Job Name:

AQUARIUS

Approved By Print Name:

Drawing#: G 6034 SH NS

Approved By Signature:

Date:

Date: 11-18-14 Revised: 10-11-16

Rep.:

Wholesaler:

Quote No.:

PRAXIS INDUSTRIES, LLC.
435 INDUSTRIAL ROAD, SAVANNAH, TN 38372
1 (800) 326-5489 - FAX (888) 246-0466