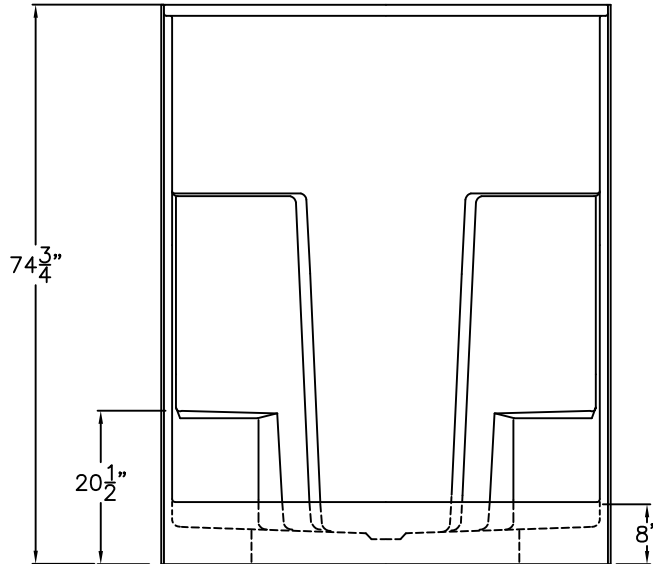


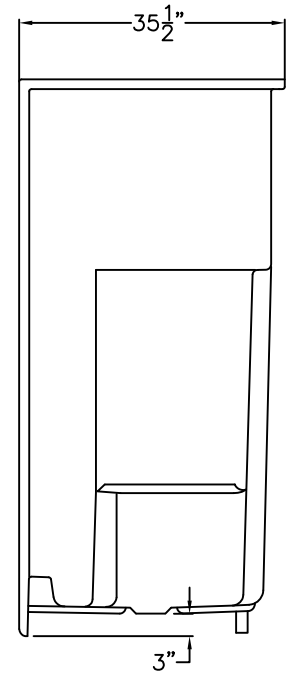
Luxury Acrylic Series

SUBMITTAL DATA

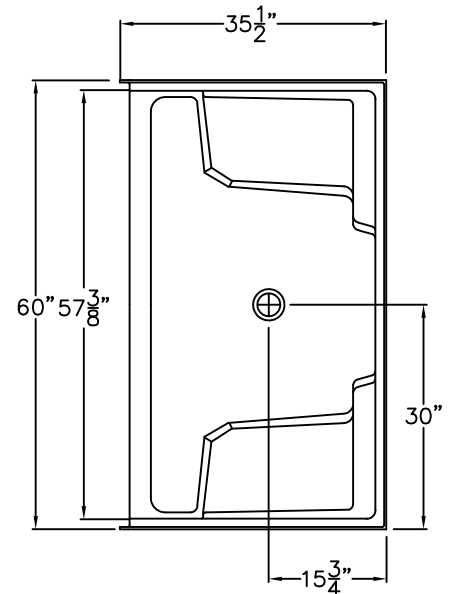
FRONT VIEW



SIDE VIEW



TOP VIEW



Smooth Wall Shower

This shower enclosure shall be Aquarius Model G 6036 SH 2S center drain. Finished surface shall be of sanitary-grade applied acrylic. The unit shall have outside dimensions of 60" x 35 1/2" x 74 3/4". The unit shall meet IAPMO Z124-2011, and CSA B45.5-11.

The enclosure shall be equipped with the following factory installed accessories:

- 1) Molded corner soap ledges,
- 2) Two molded large molded seats,
- 3) 8.0" threshold.

DUE TO THE NATURE OF THE MATERIALS
DIMENSIONS MAY VARY ± 1/2"

Job Name:	AQUARIUS	
Approved by Print Name:	Drawing#: G 6036 SH 2S	
Approved by Signature:	Date:	Date: 5-18-07 Revised: 10-11-16
Rep.:	Wholesaler:	Quote No.:

PRAXIS INDUSTRIES, LLC.
435 INDUSTRIAL ROAD, SAVANNAH, TN 38372
1 (800) 443-7269 - FAX (731) 925-4290