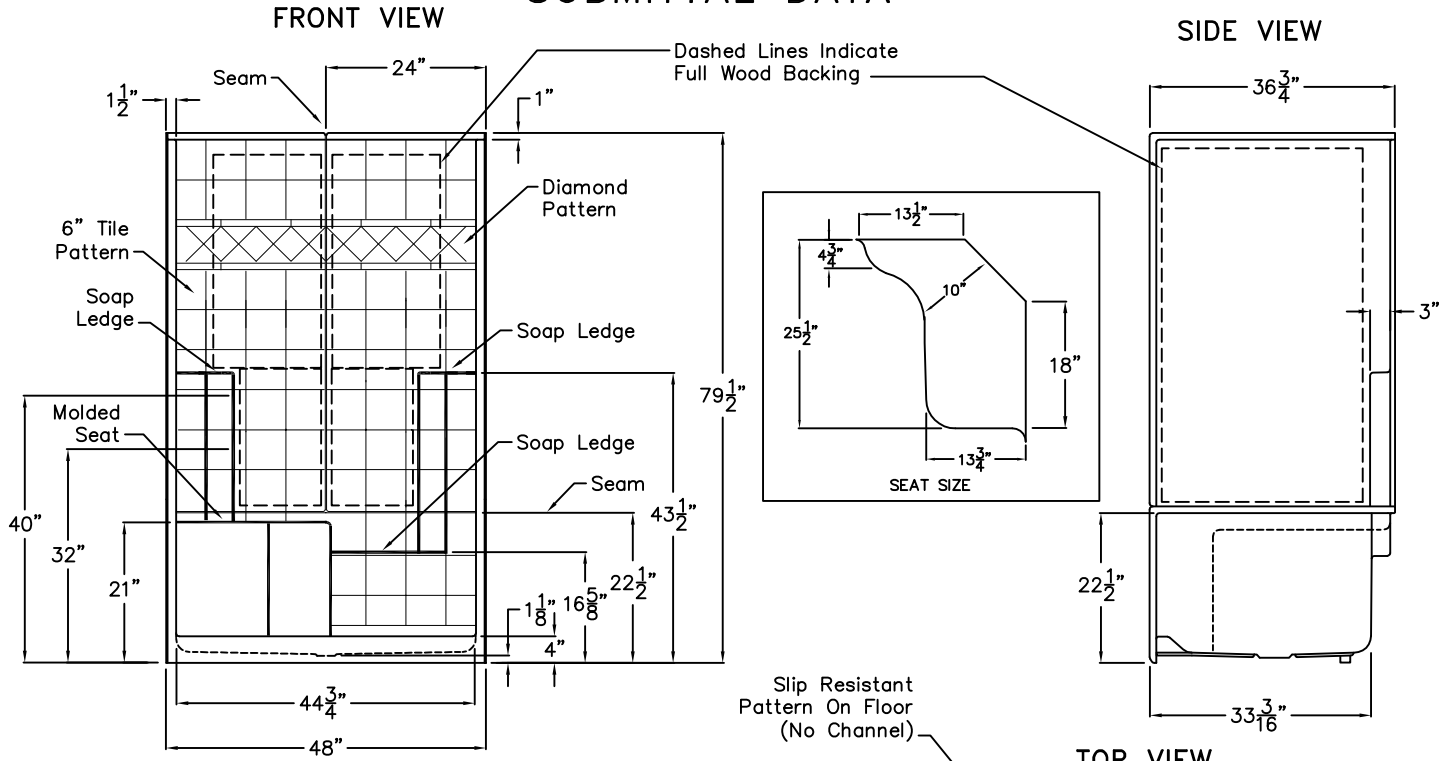


Luxury Acrylic Series

SUBMITTAL DATA



Slip Resistant Pattern On Floor (No Channel)

Sectional Shower

This shower enclosure shall be Aquarius Model MP 3648 SH 1S 3P right or left. Finished surface shall be of sanitary-grade applied acrylic. The unit shall have outside dimensions of 48" x 36 3/4" x 79 1/2". The unit shall meet IAPMO Z124-2011, and CSA B45.5-11.

The enclosure shall be equipped with the following factory installed accessories:

- 1) Molded soap ledges,
- 2) Molded lower ledge on back wall,
- 3) Molded seat right or left,
- 4) Tile finish,
- 5) Diamond accents,
- 6) Three piece sectional design,
- 7) Full wood backing on all walls,
- 8) 4.0" threshold.

DUE TO THE NATURE OF THE MATERIALS INVOLVED
UNIT DIMENSIONS MAY VARY ± 1/2 INCH

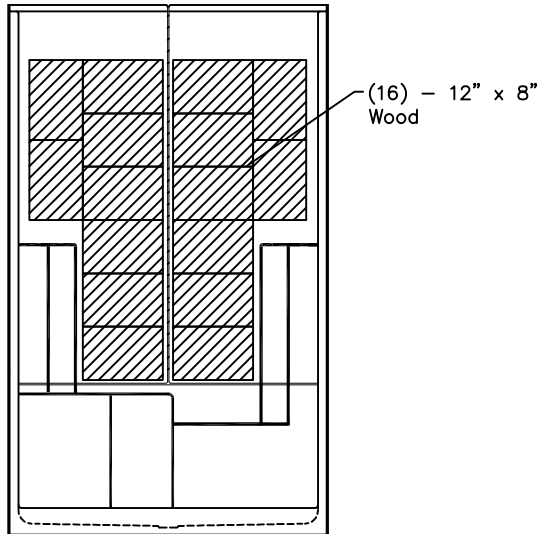
Job Name:		AQUARIUS	
Approved by Print Name:		Drawing: MP 3648 SH 1S 3P 4.0	
Approved by Signature:	Date:	Date: 9-7-2011	Revised: 10-17-16
Rep.:	Wholesaler:	Quote No.:	

PRAXIS INDUSTRIES, LLC.
435 INDUSTRIAL RD - SAVANNAH, TN 38372
1 (800) 443-7269 - FAX (731) 925-4290

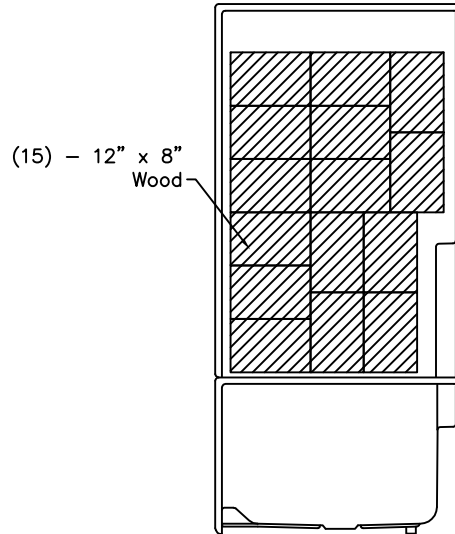
Board Placement Drawing

SUBMITTAL DATA © 2004

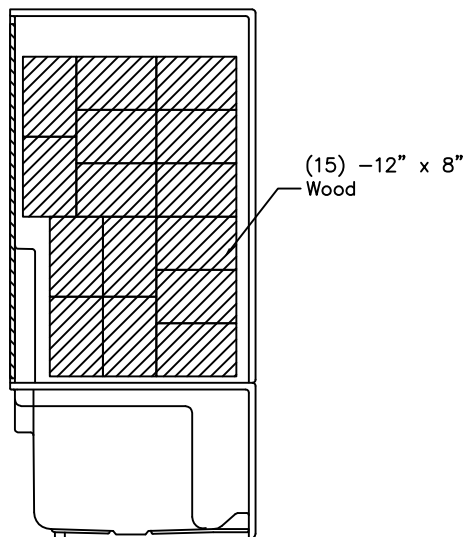
FRONT VIEW



SIDE VIEW



SEAT SIDE VIEW



DUE TO THE NATURE OF THE MATERIALS INVOLVED
UNIT DIMENSIONS MAY VARY ± 1/2 INCH

Job Name:	AQUARIUS	
Approved by Print Name:	Drawing: MP 3648 SH 1S 3P 4.0-BP	
Approved by Signature:	Date:	Date: 9-7-2011 Revised: 10-17-16
Rep.:	Wholesaler:	Quote No.:

PRAXIS INDUSTRIES, LLC.
435 INDUSTRIAL RD - SAVANNAH, TN 38372
1 (800) 443-7269 - FAX (731) 925-4290