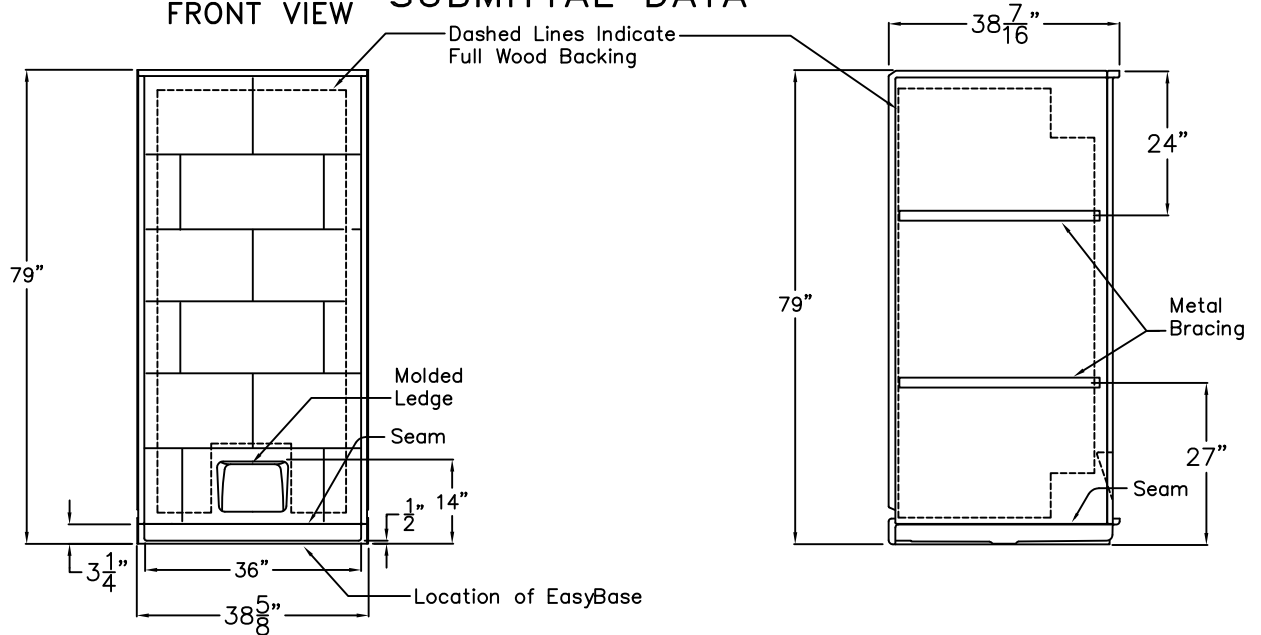


Comfort Series SUBMITTAL DATA



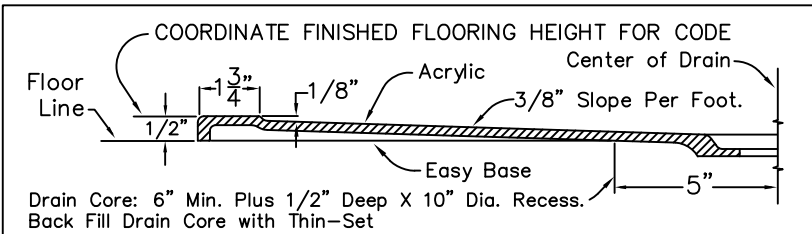
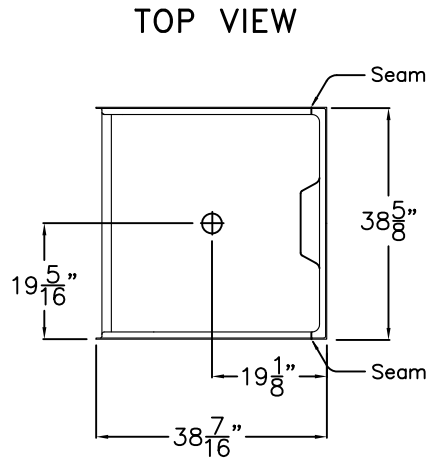
4 Piece Sectional BF Shower

The shower pan shall be Aquarius model MP 3838 BF 4 Piece center drain. Finished surface shall be of an applied acrylic. The base shall be attached to the sump of the unit in such a manner to form an integral part with an inner and outer coating of polyester resin. The unit shall have outside dimensions of 38 5/8" x 38 7/16" x 79".

The unit meets ANSI Z124.1.2, UPC, CSA B45.5, HUD-UM73, Home Innovation Research Lab, and complies with ADA, and ANSI A117.1 when configured with code required accessories such as grab bars, valve with hand shower and seat.

This enclosure shall be equipped with the following installed accessories:

- 1) Low entry 1/2" threshold,
- 2) Slip resistant surface on floor,
- 3) Center drain location,
- 4) Subway tile finish,
- 5) Low molded shelf,
- 6) Full wood backing on walls,
- 7) Factory installed Easy Base self sustaining bottom.



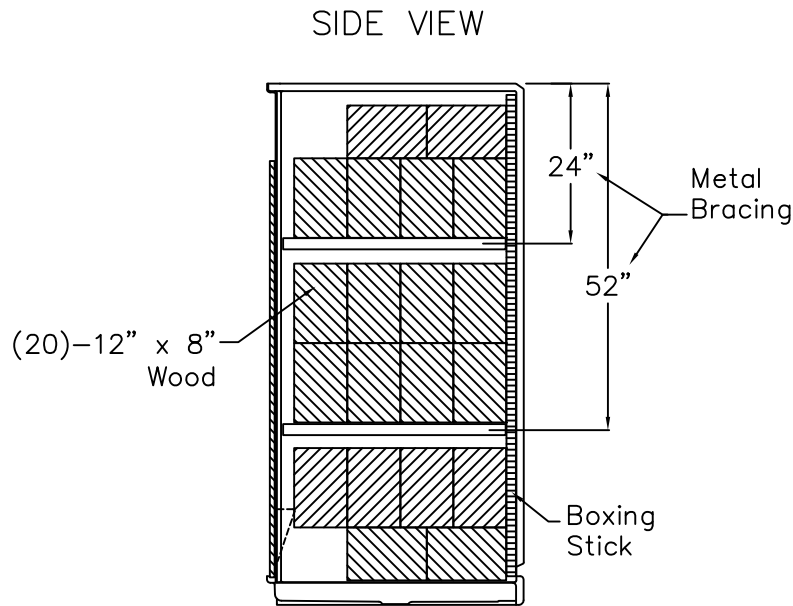
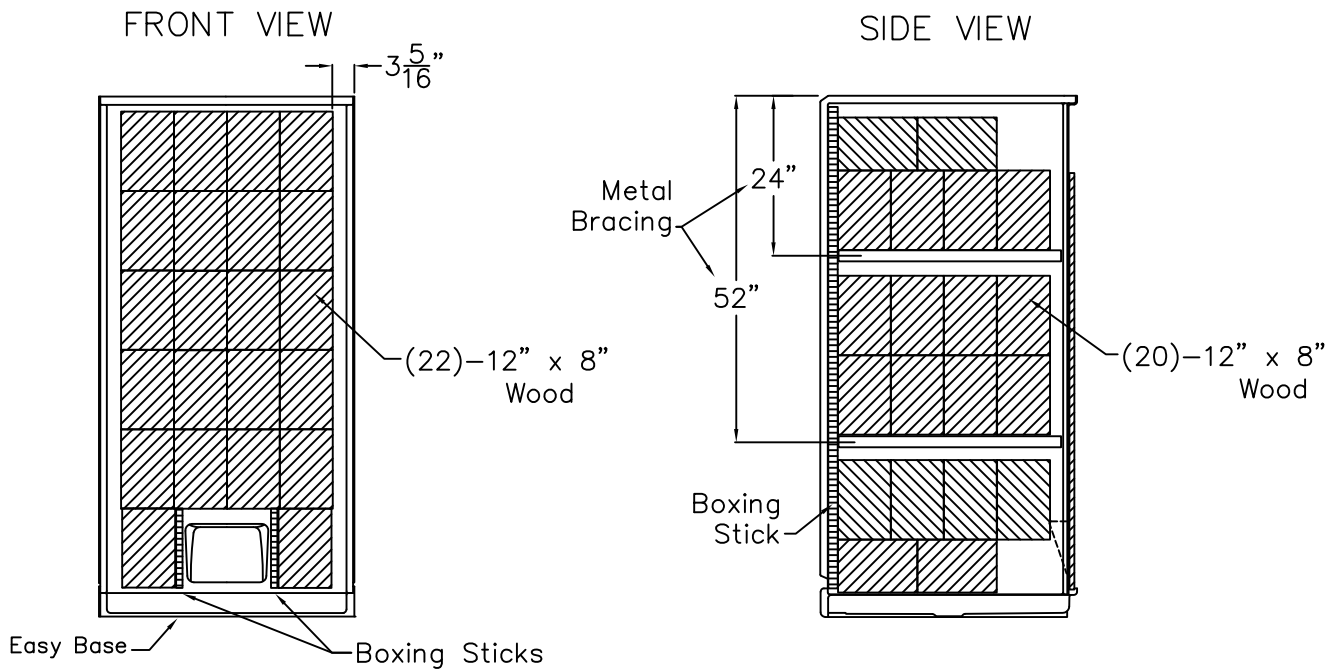
DUE TO THE NATURE OF THE MATERIALS INVOLVED
UNIT DIMENSIONS MAY VARY ± 1/2 INCH

AQUARIUS	
Drawing#: MP 3838 BF .50 4P FWB Easy Base	
Approved by:	Date Approved:
Rep.:	Wholesaler:
Date: 3-31-09 Revised: 11-4-16	
Quote No.	

PRAXIS INDUSTRIES, INC.
ROUTE 1, BOX 46D - SAVANNAH, TN 38372
1 (800) 443-7269 - FAX (901) 925-4290

Board Placement Drawing

SUBMITTAL DATA © 2004



DUE TO THE NATURE OF THE MATERIALS INVOLVED
UNIT DIMENSIONS MAY VARY ± 1/2 INCH

Job Name:

AQUARIUS

Model No.:

Drawing#: MP 3838 BF 4P .50 FWB
Easy Base-BP

Approved by:

Date Approved:

Date: 3-31-09

Revised: 11-4-16

Rep.:

Wholesaler:

Quote No.:

PRAXIS INDUSTRIES, INC.
ROUTE 1, BOX 46D - SAVANNAH, TN 38372
1 (800) 443-7269 - FAX (901) 925-4290