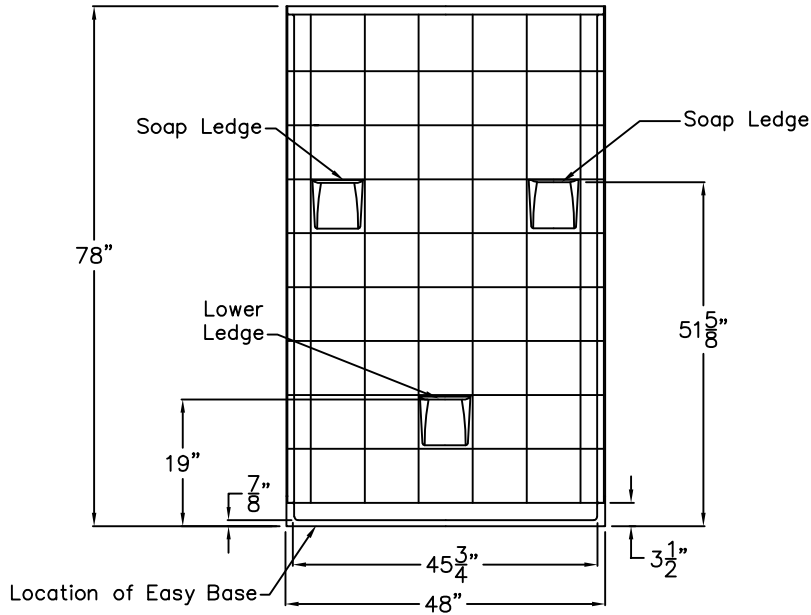
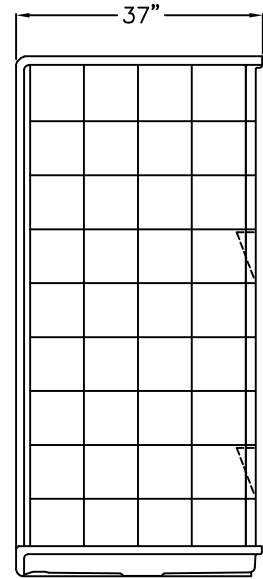


Comfort Series SUBMITTAL DATA

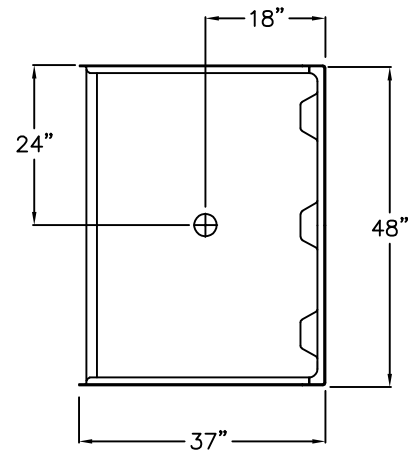
FRONT VIEW



SIDE VIEW



TOP VIEW



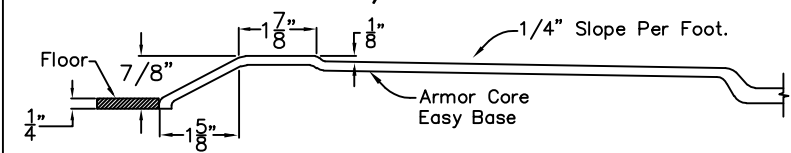
Sectional Shower

This shower enclosure shall be Model MP 4836 BF 4P .875 center drain. Finished surface shall be of sanitary-grade applied acrylic. The unit shall have outside dimensions of 48" x 37" x 78". The unit shall meet IAPMO Z124-2011, and CSA B45.5-11.

The enclosure shall be equipped with the following factory installed accessories:

- 1) Molded soap ledges,
- 2) Molded lower ledge on back wall,
- 3) Tile finish,
- 5) Diamond accents,
- 6) Full reinforced backing on all walls,
- 7) Factory installed Armor Core Easy Base,
- 8) 7/8" threshold.

Detail of 7/8" Threshold



DUE TO THE NATURE OF THE MATERIALS INVOLVED
UNIT DIMENSIONS MAY VARY ± 1/2 INCH

PRAXIS

Approved By Print Name:

Drawing#: MP 4836 BF 4P .875

Approved By Signature:

Date:

Date: 3-31-09

Revised: 4-3-17

Rep.:

Wholesaler:

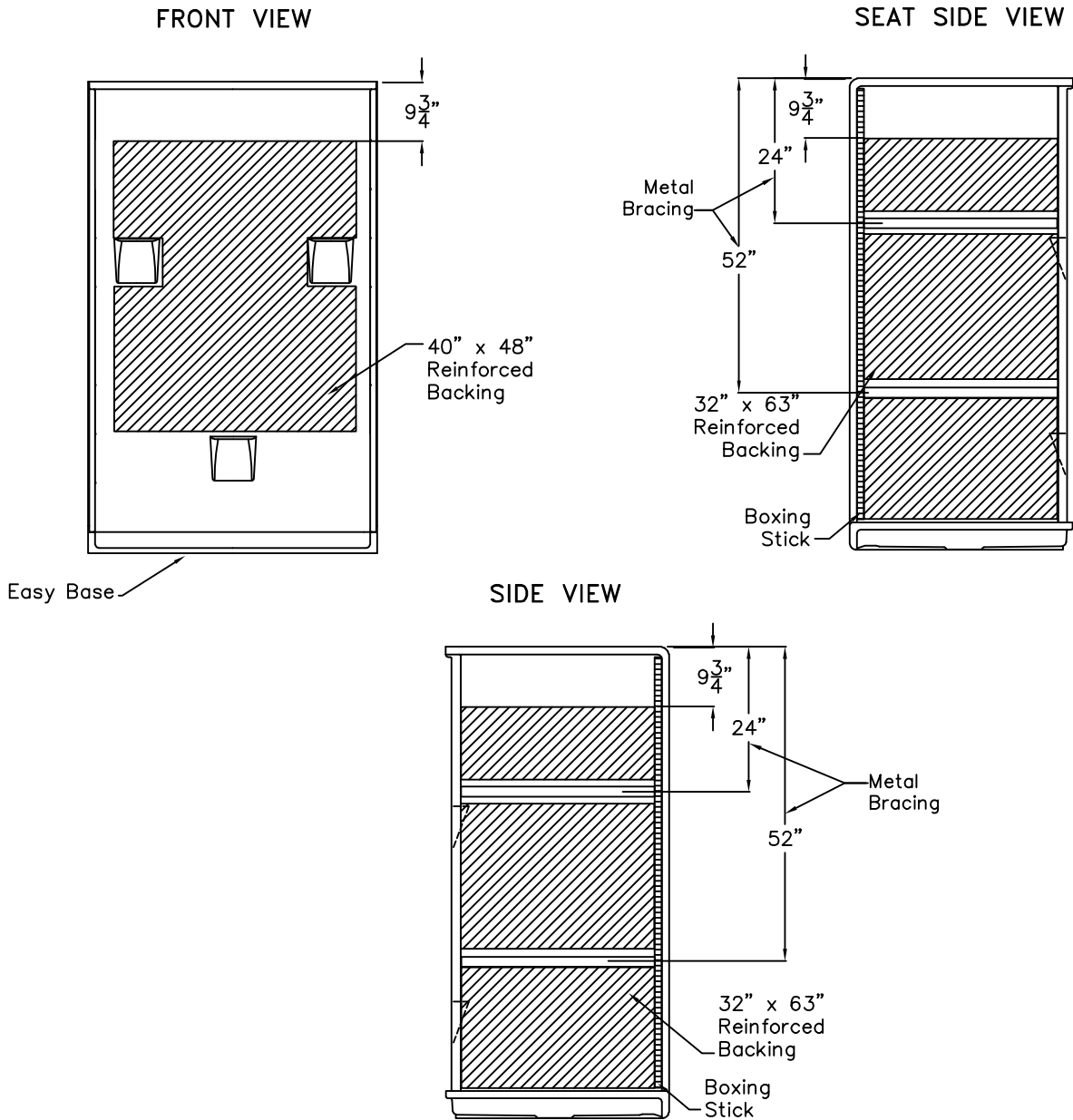
Quote No.

PRAXIS INDUSTRIES, INC.
ROUTE 1, BOX 46D - SAVANNAH, TN 38372
1 (800) 443-7269 - FAX (901) 925-4290

Recyclable Paper

Backing Placement Drawing

SUBMITTAL DATA



DUE TO THE NATURE OF THE MATERIALS INVOLVED
UNIT DIMENSIONS MAY VARY ± 1/2 INCH

Job Name:	PRAXIS		
Approved by Print Name:	Drawing#: MP 4836 BF 4P .875-BP		
Approved by Signature:	Date:	Date: 3-31-09	Revised: 4-3-17
Rep.:	Wholesaler:	Quote No.:	

PRAXIS INDUSTRIES, INC.
ROUTE 1, BOX 46D - SAVANNAH, TN 38372
1 (800) 443-7269 - FAX (901) 925-4290