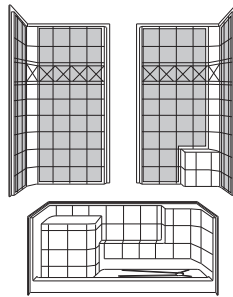


Multi-piece Showers

MP 6032 SH IS 3P 4.0 L/R



EasyStep™
Threshold



Solid Surface
Finish



Gelcoat
Finish

OUTER DIMENSION	60" x 33" x 77"
ENCLOSURE (up to)	55.75" x 71"
THRESHOLD	4" EasyStep™
DRAIN	Left or Right
HANDED	Seat L/R
SHIPPING WEIGHT	300
LOAD FACTOR	0.97
TRUCK LOAD FACTOR	0.97

NOTES

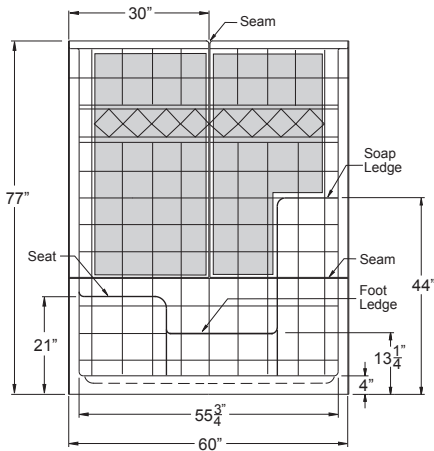
CODES IPC, UPC, ANSI Z 124.2 NAHB, HUD and FHA.

EasyBase™ Self-supporting and pre-levelled shower base, EasyBase™, is standard on all barrier free multi-piece showers. *EasyBase™ is not offered on EasyStep™ models.*

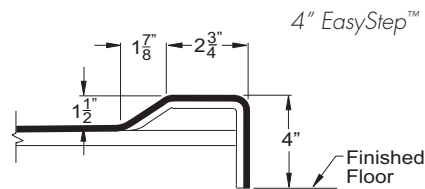
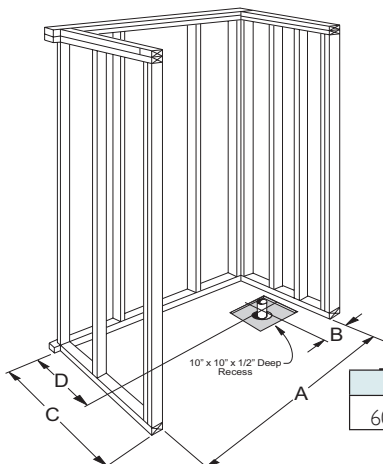
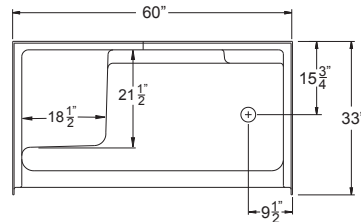
WOOD BACKING All multi-piece showers are offered standard with plywood reinforced walls.

RAPID SHIP All multi-piece showers are in stock for rapid shipment - ships in four business days.

WARRANTY All multi-piece showers are offered with an unprecedented thirty year limited warranty.



gray shading represents wood backing



A	B	C	D
60.25"	29.5"	33.25"	15.875"



Empowering People Of All Ages & Abilities
The Praxis Companies, LLC | Praxis Makes Perfect
800.443.7269 | praxiscompanies.com