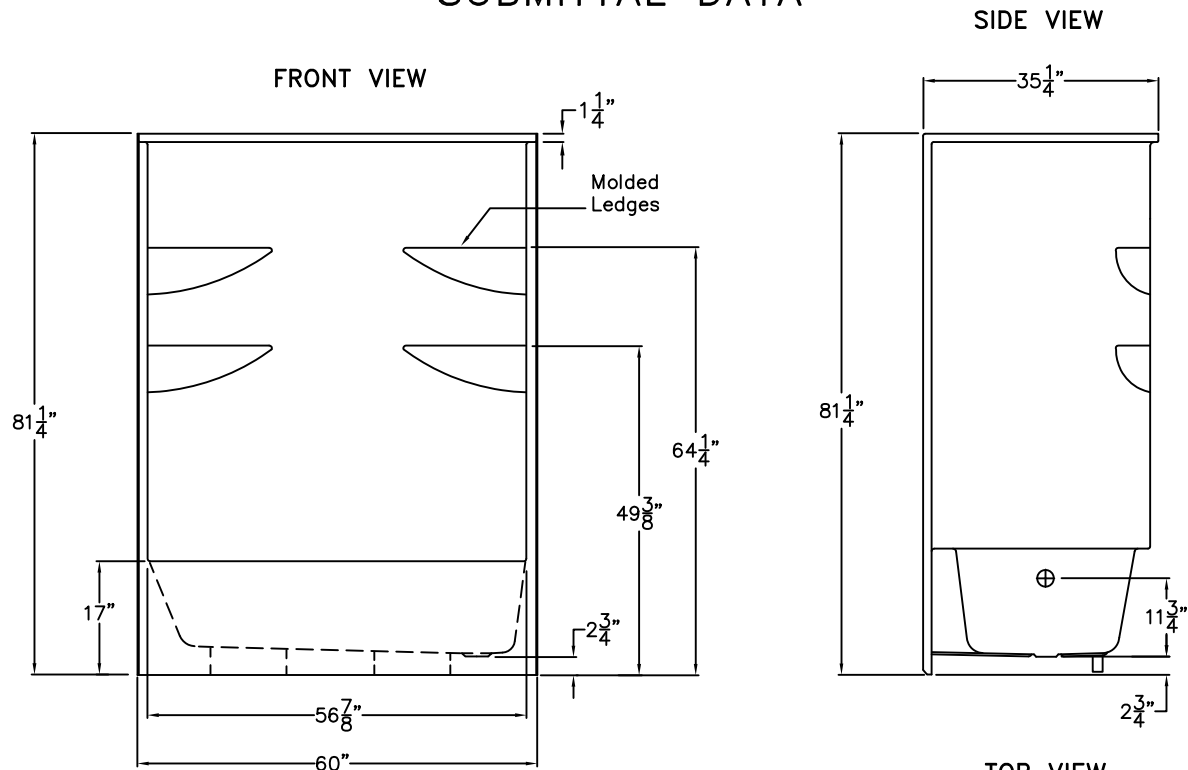


LUXURY ACRYLIC SERIES

SUBMITTAL DATA



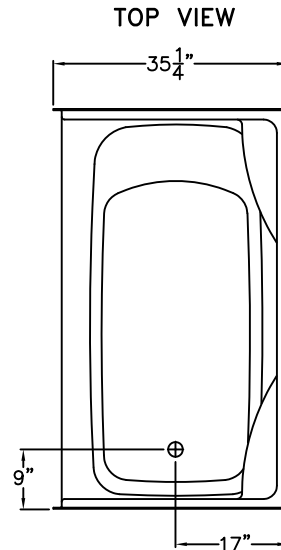
Acrylic Open Top Tub Shower

This enclosure shall be model A3460 TSR OT, left or right. Finished surface shall be of a sanitary grade thermoformed acrylic exhibiting a minimal thickness of 15 dry mils and a finished cured Barcoal hardness of 80-90 as tested with ASTM D-2583. Unit construction shall be of a molded reinforced fiberglass with a 15% minimum fiberglass content. The base shall be attached to the sump of the unit in such a manner to form an integral part with an inner and outer coating of reinforced polyester resin.

The unit shall have outside dimensions of 60" x 35 1/4" x 81 1/4". The one piece shower shall meet ANSI Z124.1, ANSI Z124.1.2 and FHA/HUD-UM-73A.

The enclosure shall be equipped with the following accessories:

1. Acrylic Finish,
2. Left Or Right Drain Location,
3. Molded Ledges On The Back Wall,
4. 17" Apron/Skirt,
5. Slip Resistant Bottom.
6. 2 3/4" Above Floor Rough-In.



DUE TO THE NATURE OF THE MATERIALS
DIMENSIONS MAY VARY ± 1/2"

Job Name:

PRAXIS

Approved By Print Name:

Drawing#: A3460 TS OT

Approved By Signature:

Date Approved:

Date: 1-16-14

Revised: 5-11-16

Rep.:

Wholesaler:

Quote No.:

PRAXIS INDUSTRIES, LLC.
435 INDUSTRIAL ROAD, SAVANNAH, TN 38372
1 (800) 443-7269 - FAX (731) 925-4290