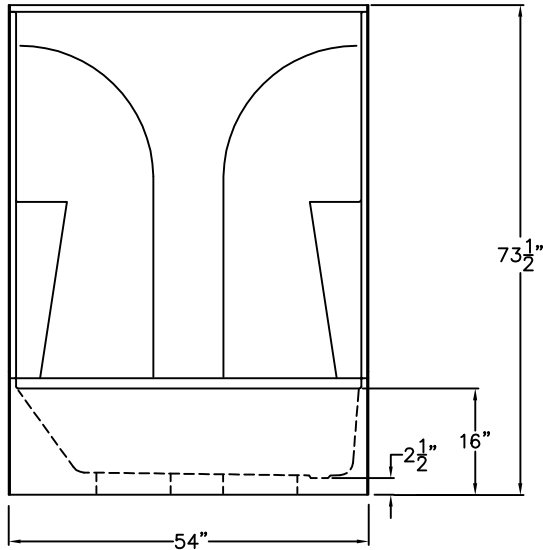


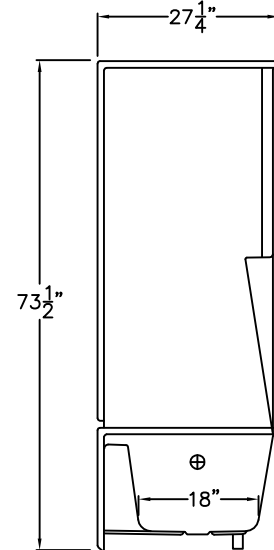
Luxury Acrylic Series

SUBMITTAL DATA

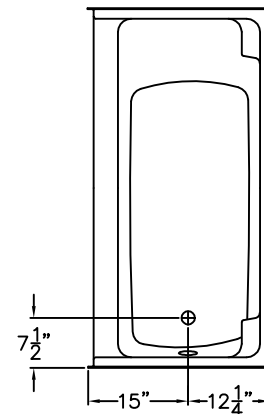
FRONT VIEW



SIDE VIEW



TOP VIEW



Sectional Tub Shower

This shower enclosure shall be Aquarius Model G 5495 TS 2P right or left. Finished surface shall be of sanitary-grade applied acrylic. The unit shall have outside dimensions of 54" x 27 1/4" x 73 1/2". The unit shall meet IAPMO Z124-2011, and CSA B45.5-11.

The enclosure shall be equipped with the following factory installed accessories:

- 1) Molded corner soap dishes,
- 2) Two piece sectional design.
- 3) Right or left drain location.

DUE TO THE NATURE OF THE MATERIALS
DIMENSIONS MAY VARY ± 1/2"

Job Name:

AQUARIUS

Approved by Print Name:

Drawing#: G 5494 TS 2P

Approved by Signature:

Date:

Date: 1-27-00

Revised: 10-11-16

Rep.:

Wholesaler:

Quote No.:

PRAXIS INDUSTRIES, INC.
ROUTE 1, BOX 46D - SAVANNAH, TN 38372
1 (800) 443-7269 - FAX (901) 925-4290