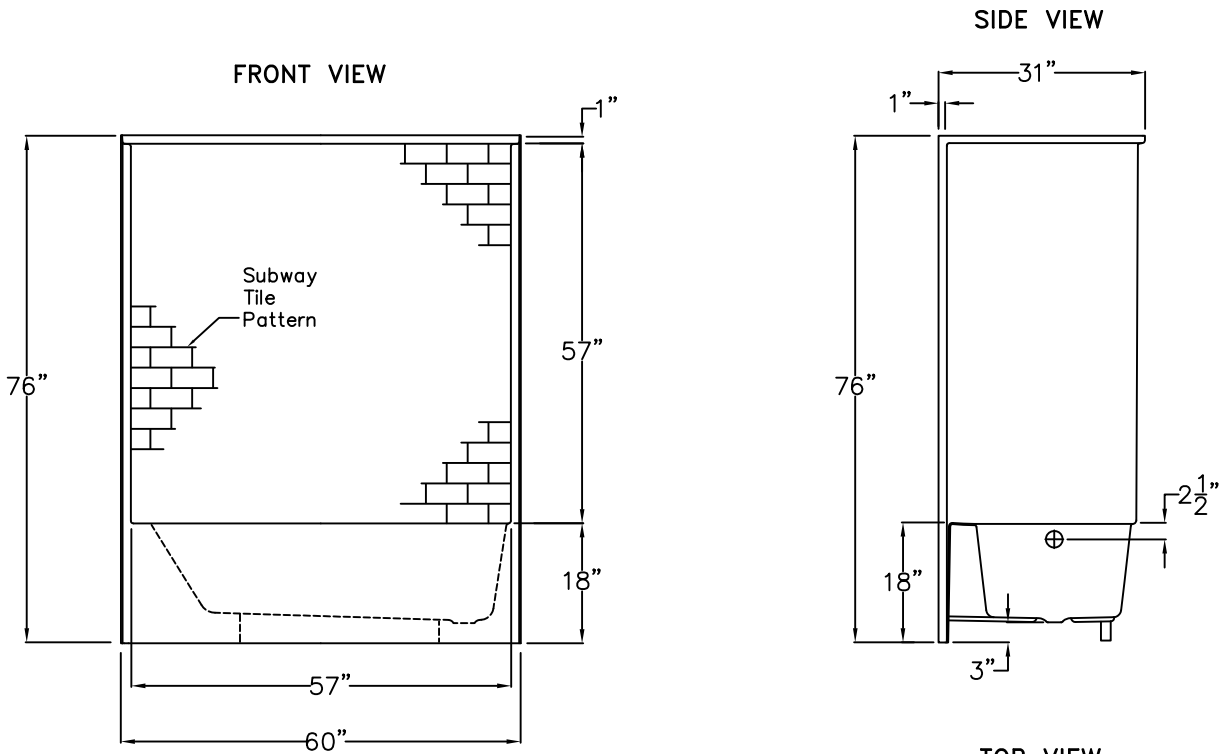


Luxury Acrylic Series

SUBMITTAL DATA



Simulated Tile Shower

This tub shower shall be Praxis Model G6030TSSTMLR left or right drain. Finished surface shall be of sanitary-grade applied acrylic. The unit shall have outside dimensions of 60" x 31" x 76". The unit shall meet IAPMO Z124, HUD-UM73 and CSA B45.5.

The enclosure shall be equipped with the following factory installed accessories:

- 1) Simulated subway tile finish,
- 2) Left or right drain location,
- 3) 3 inch above floor rough-in,
- 4) 18" apron skirt.

DUE TO THE NATURE OF THE MATERIALS
DIMENSIONS MAY VARY ± 1/2"

Job Name:	PRAXIS	
Approved By Print Name:	Drawing#: G6030TSSTMLR	
Approved By Signature:	Date:	Date: 3-12-19 Revised: 10-29-19
Rep.:	Wholesaler:	Quote No.:

PRAXIS INDUSTRIES, LLC.
435 INDUSTRIAL RD - SAVANNAH, TN 38372
1 (800) 443-7269 - FAX (731) 925-4290