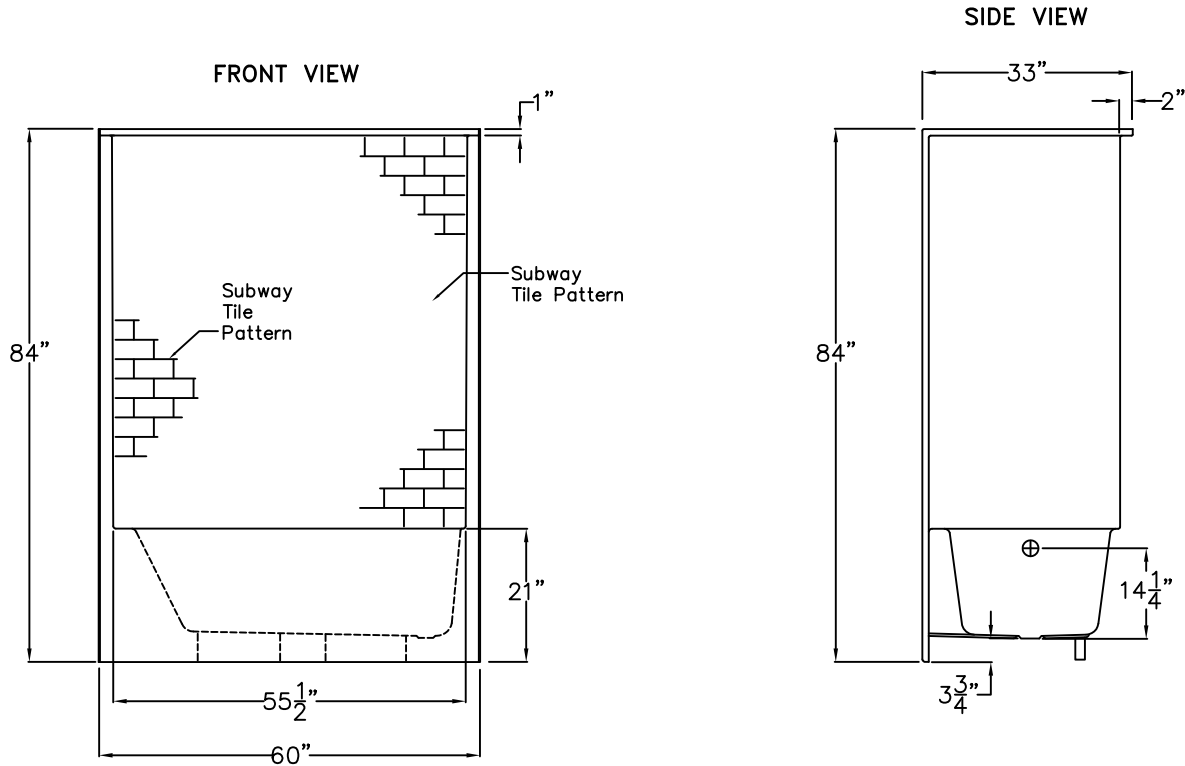


# Luxury Acrylic Series

## SUBMITTAL DATA

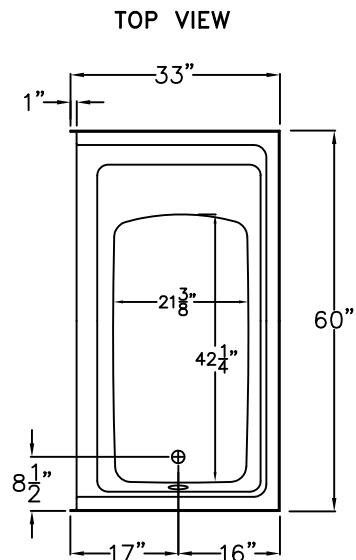


### Simulated Tile Tub Shower

This tub shower enclosure shall be Praxis Model 6032TSSTMLR right or left. Finished surface shall be of sanitary-grade applied acrylic. The unit shall have outside dimensions of 60" x 33" x 84". The unit shall meet IAPMO Z124-2011, and CSA B45.5-11.

The enclosure shall be equipped with the following factory installed accessories:

- 1) Simulated subway tile pattern,
- 2) Flat walls,
- 3) Above floor rough-in,
- 4) Left or right hand drain location.



DUE TO THE NATURE OF THE MATERIALS  
DIMENSIONS MAY VARY ± 1/2"

Job Name:

**PRAXIS**

Approved by Print Name:

Drawing: 6032TSSTMLR

Approved by Signature:

Date:

Date: 3-13-19

Revised: 11-22-19

Rep.:

Wholesaler:

Quote No.:

PRAXIS INDUSTRIES, LLC.  
435 INDUSTRIAL RD - SAVANNAH, TN 38372  
1 (800) 443-7269 - FAX (731) 925-4290