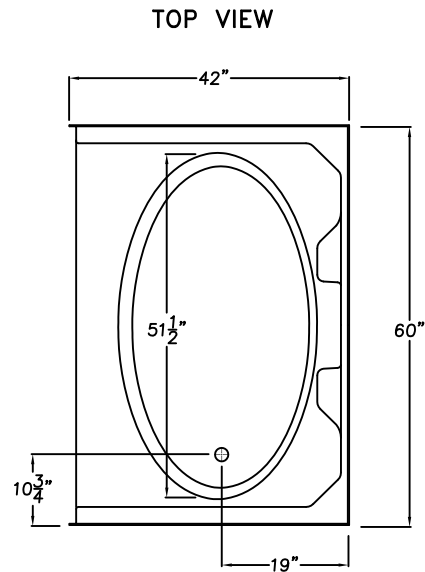
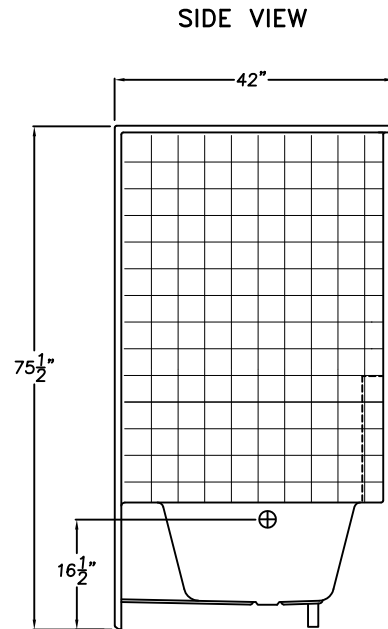
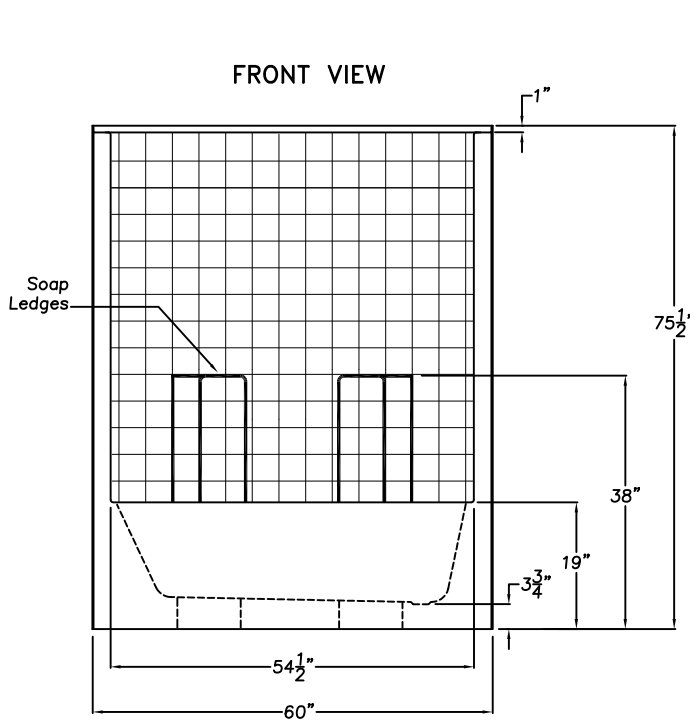


Luxury Acrylic Series

SUBMITTAL DATA



Simulated Tile Tub Shower
 This shower enclosure shall be Aquarius Model G 6042 TS TILE right or left. Finished surface shall be of sanitary-grade applied acrylic. The unit shall have outside dimensions of 60" x 42" x 74 1/2". The unit shall meet IAPMO Z124-2011, and CSA B45.5-11.

The enclosure shall be equipped with the following factory installed accessories:
 1) Simulated tile pattern,
 2) Two molded soap ledges,
 3) Left or right hand drain location.

DUE TO THE NATURE OF THE MATERIALS
 DIMENSIONS MAY VARY ± 1/2"

Job Name:	AQUARIUS	
Approved by Print Name:	Drawing: G 6042 TS Tile	
Approved by Signature:	Date:	Date: 11-22-02 Revised: 10-31-16
Rep.:	Wholesaler:	Quote No.:

PRAXIS INDUSTRIES, LLC.
 435 INDUSTRIAL RD - SAVANNAH, TN 38372
 1 (800) 443-7269 - FAX (731) 925-4290