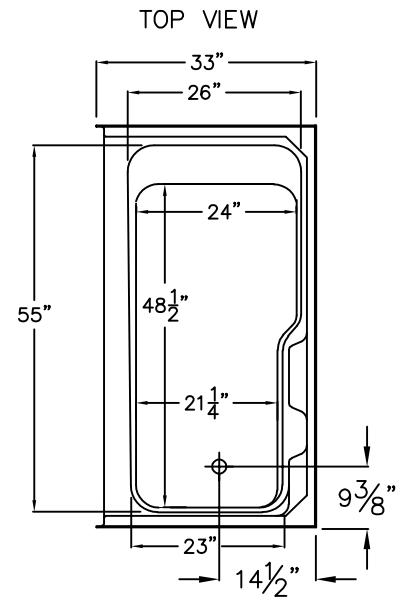
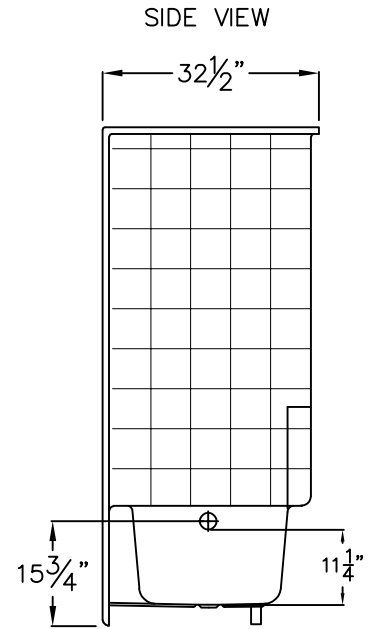
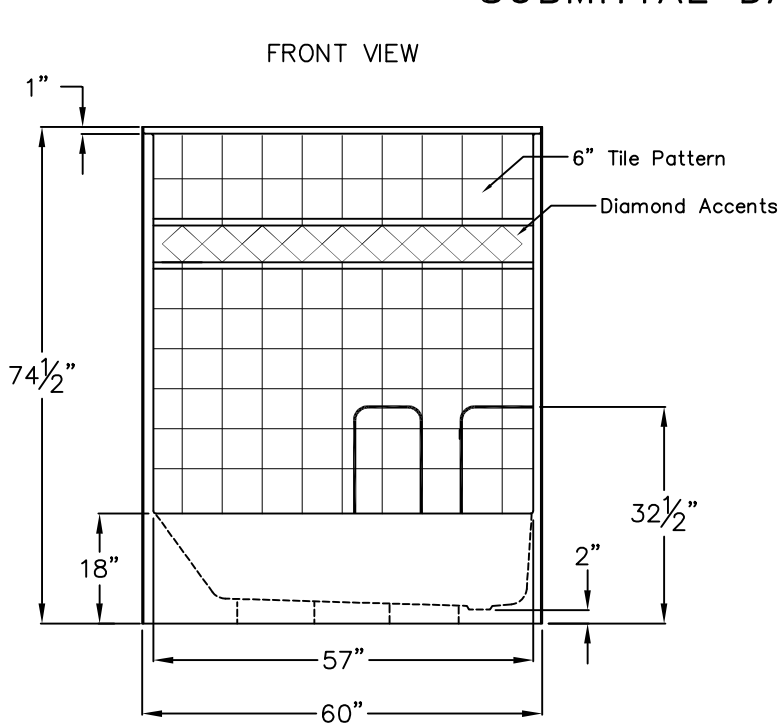


Luxury Acrylic Series

SUBMITTAL DATA



DUE TO THE NATURE OF THE MATERIALS
 DIMENSIONS MAY VARY $\pm 1/2"$

Simulated Tile Tub Shower
 This shower enclosure shall be Model M 3360 TS TILE right or left. Finished surface shall be of sanitary-grade applied acrylic. The unit shall have outside dimensions of 60" x 32 1/2" x 74 1/2". The unit shall meet IAPMO Z124-2011, and CSA B45.5-11.
 The enclosure shall be equipped with the following factory installed accessories:
 1) Molded soap ledges,
 2) Tile finish,
 3) Diamond accents,
 4) Left or right drain location.

| | | |
|-------------------------|--------------------------|----------------------------------|
| Job Name: | PRAXIS | |
| Approved By Print Name: | Drawing#: M 3360 TS Tile | |
| Approved By Signature: | Date: | Date: 10-6-00 Revised: 4-4-17 |
| Rep.: | Wholesaler: | Quote No.: |

PRAXIS INDUSTRIES, LLC.
 435 INDUSTRIAL RD - SAVANNAH, TN 38372
 1 (800) 443-7269 - FAX (731) 925-4290