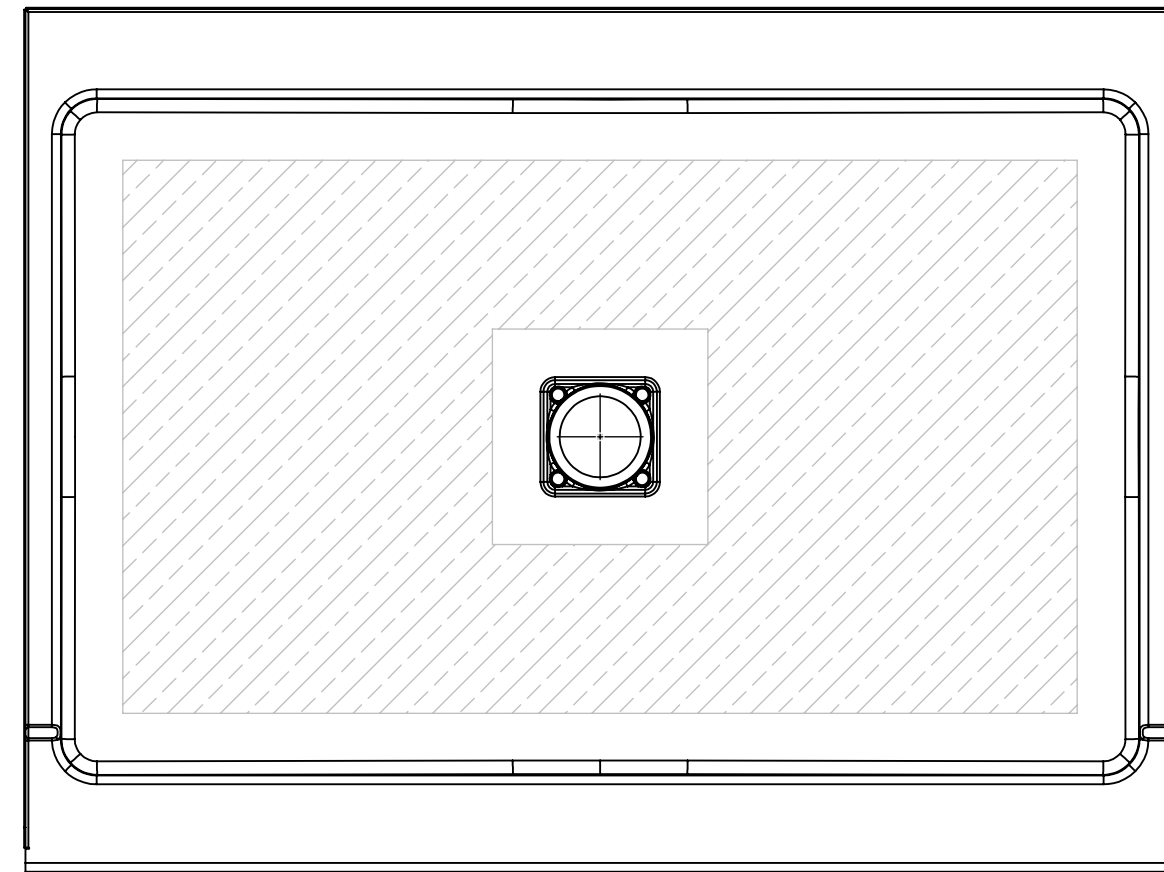
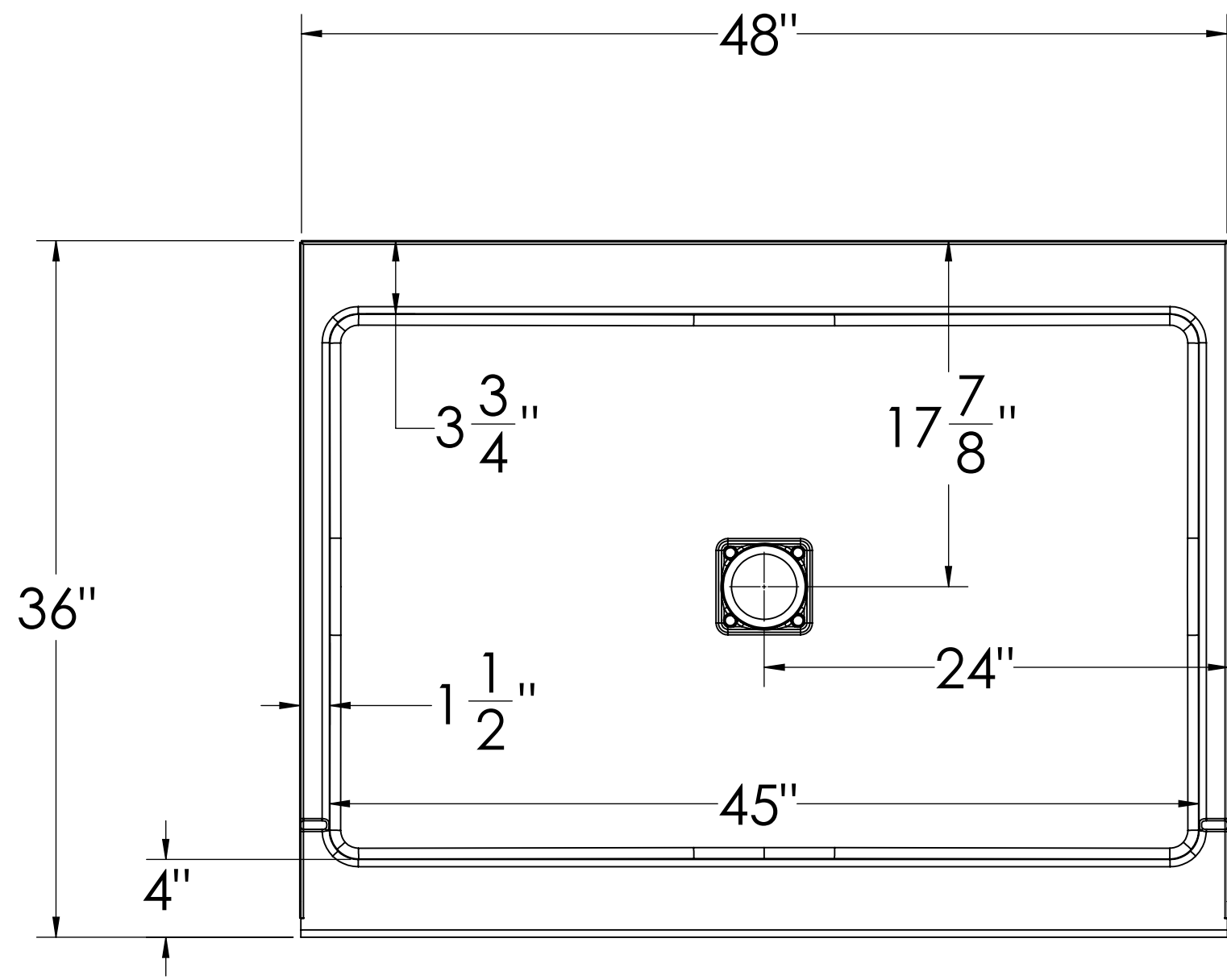


4

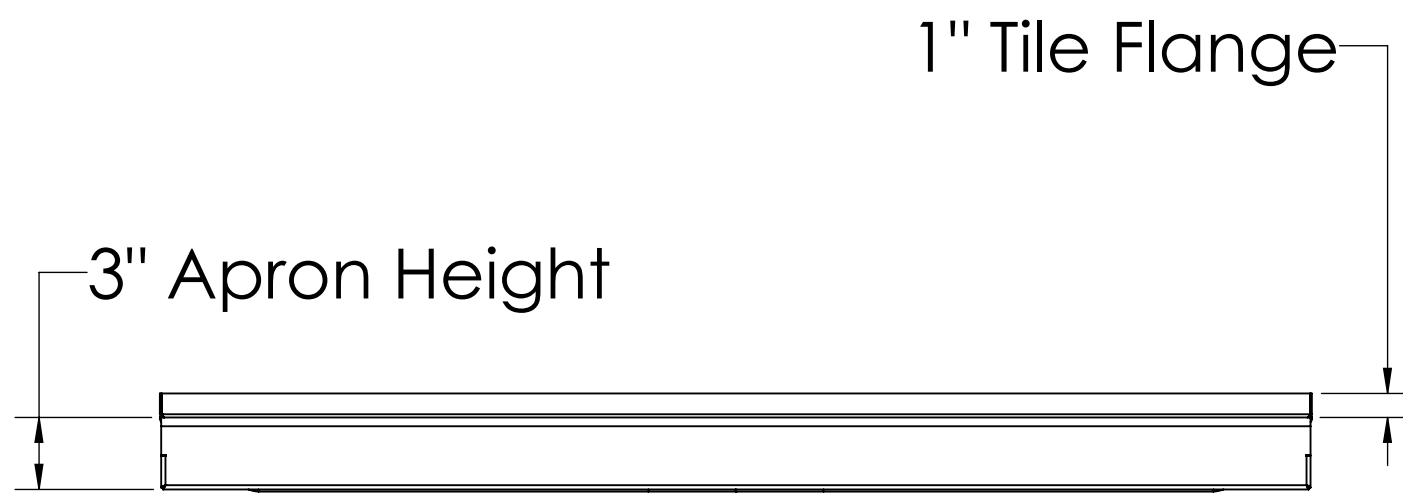
3

2

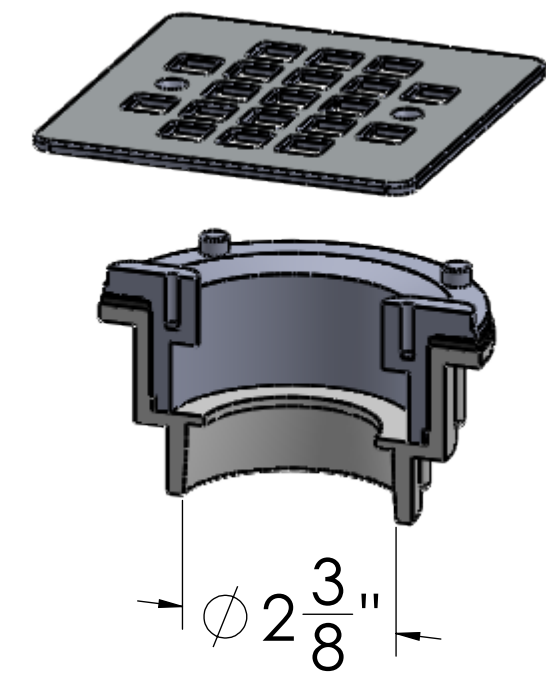
1



Shaded area represents anti-slip coverage



**Square Drain Model
Include Drain Kit and
Cover Plate**



• All Dimentions are approximate. Measurements should be verified against the unit to ensure proper fit

4

3

2

1

D

D

C

C

B

B

A

A