

Single Return Flange Transfer Showers

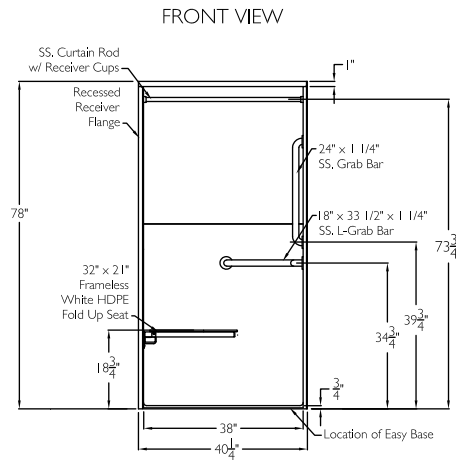
Code Compliant Solutions



Single Return Flange Transfer Showers



Code Compliant Solutions



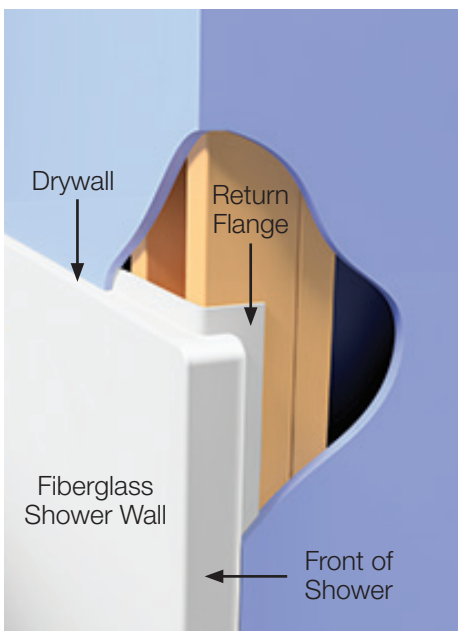
Features and Benefits

- Available in AcrylX™ Applied Acrylic or Solid Surface
- Textured floor
- 30 Year warranty
- Integral single flange available on the left or right side of the unit
- 3/4" Change of Level (COL) threshold

Left return flange model shown

DESCRIPTION	MODEL	INTERIOR DIMENSIONS
AcrylX™, Left Return Flange, 3/4" Change of Level Threshold	XSS 3636 BF COL RFL .75	38" W x 39" D x 78" H
AcrylX™, Right Return Flange, 3/4" Change of Level Threshold	XSS 3636 BF COL RFR .75	38" W x 39" D x 78" H
Solid Surface, Left Return Flange, 3/4" Change of Level Threshold	SSS 3636 BF COL RFL .75	38" W x 39" D x 78" H
Solid Surface, Right Return Flange, 3/4" Change of Level Threshold	SSS 3636 BF COL RFR .75	38" W x 39" D x 78" H

Shower Flange Design



Return flange on the seat wall makes compliance with ADA & ICC A117.1-2017 transfer shower code a snap! Just install per instructions and folding transfer shower seats will be within 3" of the shower compartment opening per code. Return Flange units provide a great finished solution compartment entry and work with firewalls or pocket door designs.

Ask your sales representatives for more information today!

- Clean look
- Simplifies installation
- Meets all ADA Compartment Entry Specifications



Scan to find your specification manager