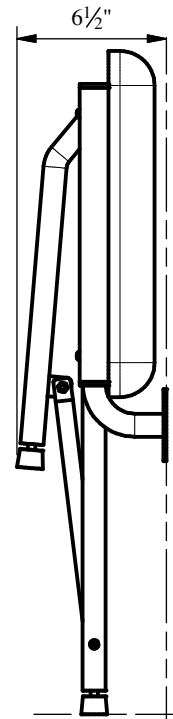
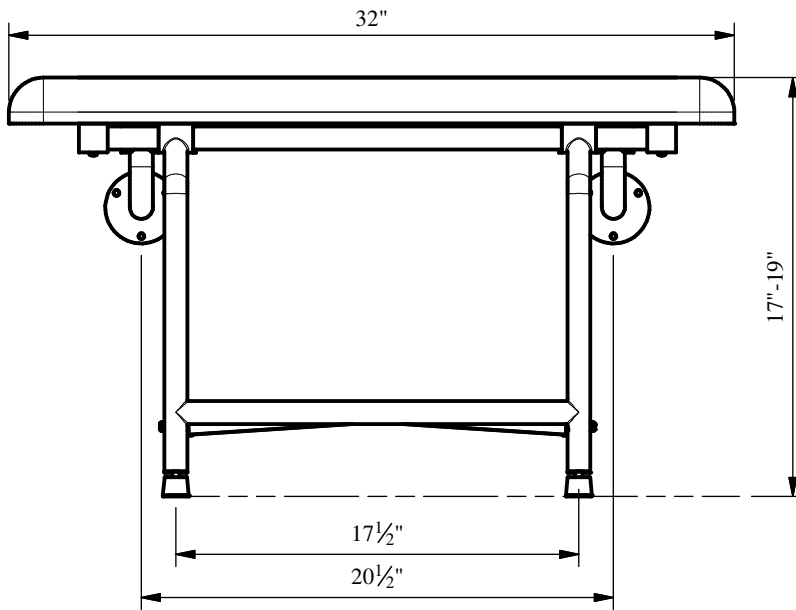


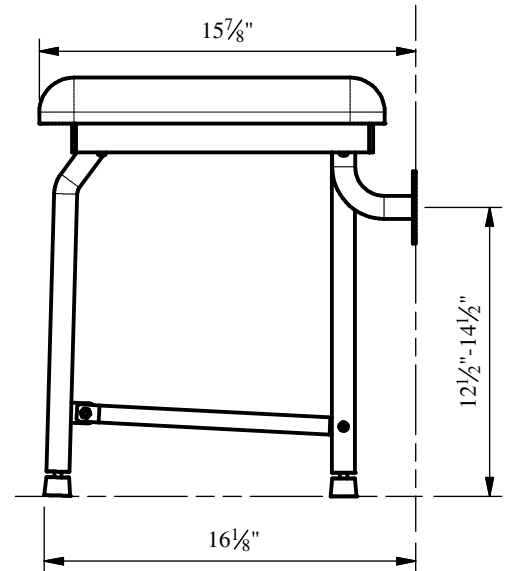
FRONT - POSITION UP



SIDE - POSITION UP



FRONT - POSITION DOWN



SIDE - POSITION DOWN

## 32" Naugahyde Seat

Wall Mounted Bench-Style Shower Transfer Seat With Swing Down Legs - Stainless Steel Frame

**Clarion**  
BATHWARE  
44 Amsler Ave.  
Shipperville, PA 16254

Phone: (814) 226-5374  
Toll Free: (800) 576-9228  
Fax: (814) 226-0730  
www.clarionbathware.com

Mold Fabrication will not begin until approved drawing is received.  
Standard mold production is (\_\_\_\_\_) weeks) unless quoted otherwise.

Signatures For Approval:

Date:

Customer: \_\_\_\_\_

Clarion Engineer: \_\_\_\_\_

Clarion SVP of Sales: \_\_\_\_\_

DWG. #

32in Padded Seat

Dwg. By: NMH

Date: 1/13/2020