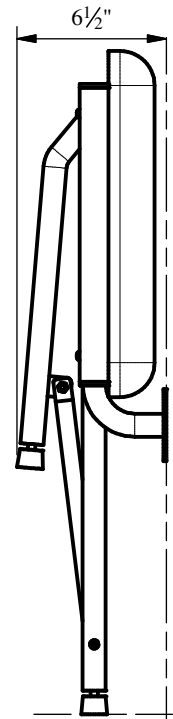
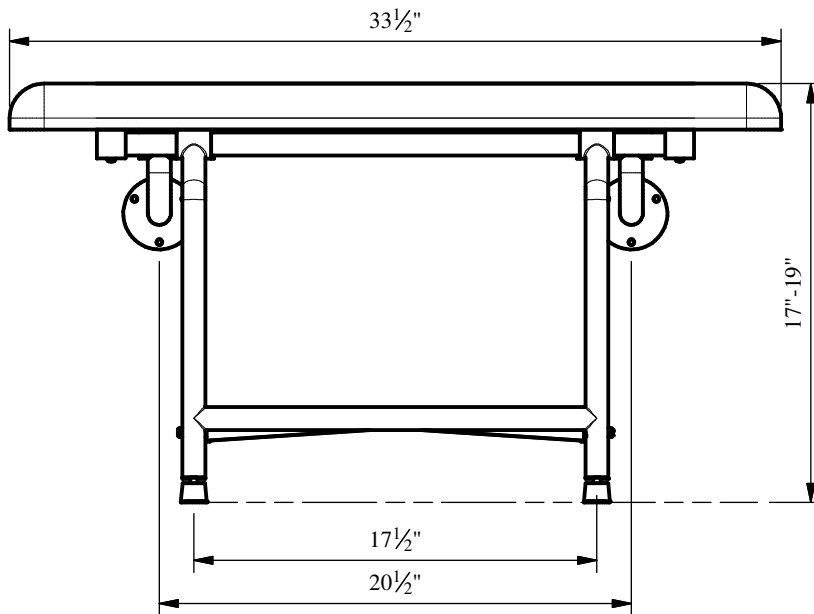


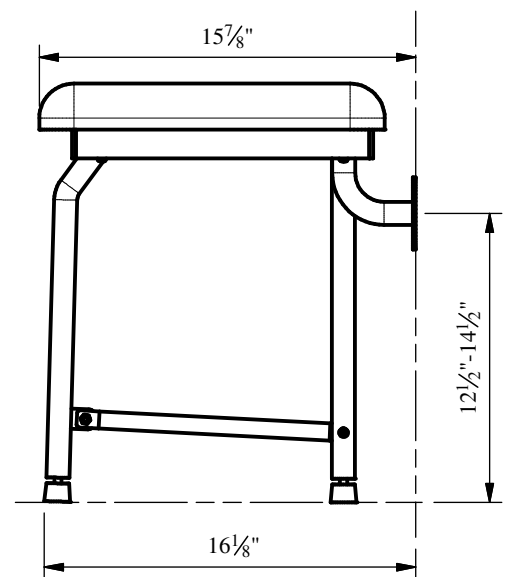
FRONT - POSITION UP



SIDE - POSITION UP



FRONT - POSITION DOWN



SIDE - POSITION DOWN

33.5" Naugahyde Seat

Wall Mounted Bench-Style Shower Transfer Seat With Swing Down Legs - Stainless Steel Frame

Clarion
BATHWARE
44 Amsler Ave.
Shipperville, PA 16254

Phone: (814) 226-5374
Toll Free: (800) 576-9228
Fax: (814) 226-0730
www.clarionbathware.com

Mold Fabrication will not begin until approved drawing is received.
Standard mold production is (_____) weeks) unless quoted otherwise.

Signatures For Approval:

Date:

Customer: _____

Clarion Engineer: _____

Clarion SVP of Sales: _____

DWG. #

33.5in Padded Seat

Dwg. By: NMH

Date: 11/6/2018