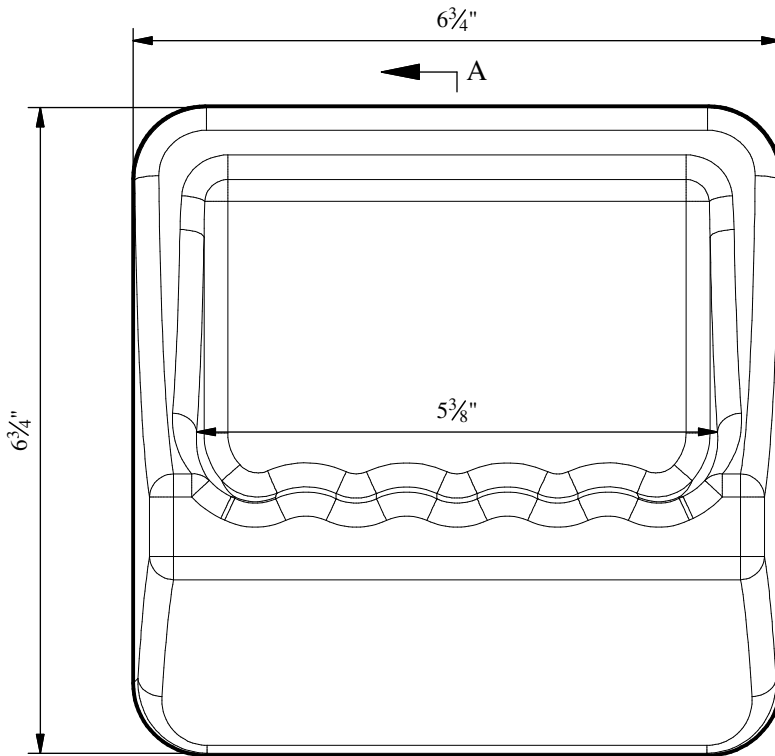
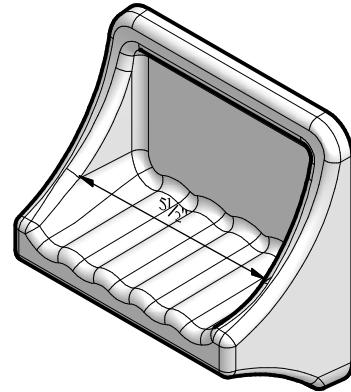
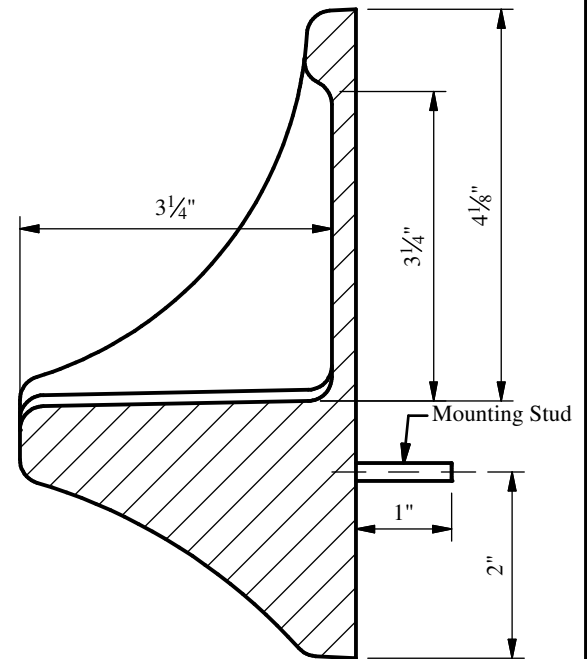


Top View



Front View



SECTION A-A

Composite Soap Dish

Clarion
BATHWARE
44 Amsler Ave.
Shippenville, PA 16254

Phone: (814) 226-5374
Toll Free: (800) 576-9228
Fax: (814) 226-0730
www.clarionbathware.com

Signatures For Approval:

Customer: _____ Date: _____
Arch./Engr: _____

Quote #: _____
Job Name: _____

DWG. #
Composite Soap Dish
Cut

By: NMH
Date: 8/19/2016