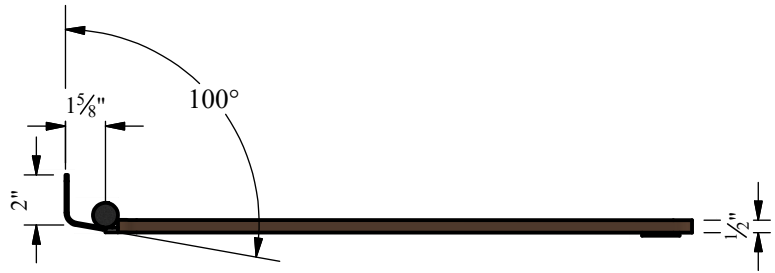
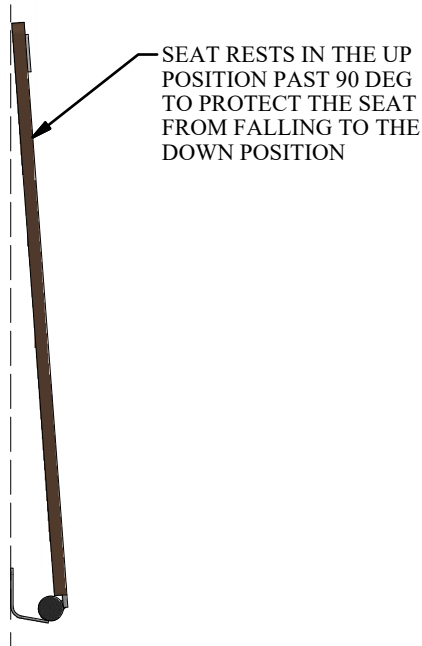


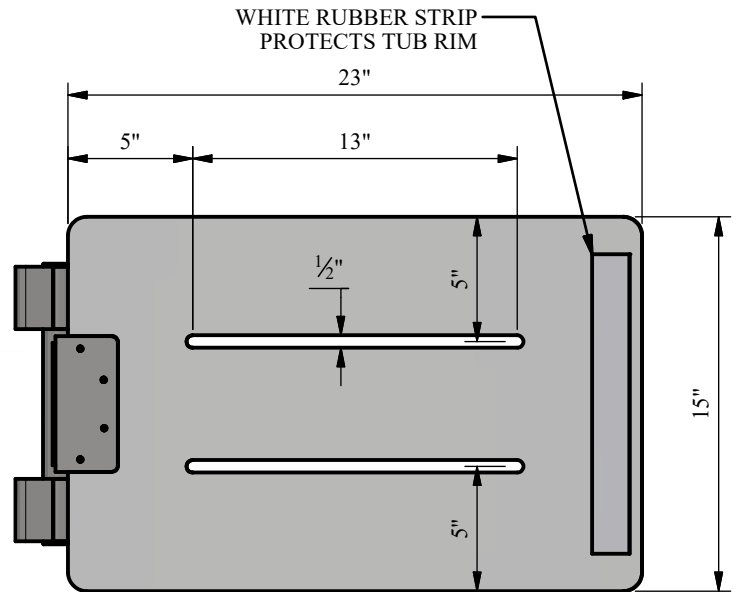
END VIEW



SIDE VIEW



SIDE - POSITION UP



BOTTOM VIEW

PRODUCT SPECIFICATION:

- Seat has been designed and tested to withstand 500lbs (182kg) of load capacity when properly installed.
- Product complies with HUD, FHA, VA, ADA, ANSI, UFAS and other federal, provincial and local codes.
- All dimensions +/- 1/4" [6.4mm]
- Clarion Bathware reserves the right to change design and/or dimensions.
- Fits Clarion Tub/shower models: TS6030 & TS6032

SEAT-3 10H-4 White Phenolic Tub/Shower Seat

Wall Mounted Bench-Style Tub/Shower Transfer Seat With Stainless-Steel Hinges

Clarion
BATHWARE
44 Amsler Ave.
Shipperville, PA 16254

Phone: (814) 226-5374
Toll Free: (800) 576-9228
Fax: (814) 226-0730
www.clarionbathware.com

Mold Fabrication will not begin until approved drawing is received.
Standard mold production is (_____ weeks) unless quoted otherwise.

Signatures For Approval: _____ Date: _____
Customer: _____
Clarion Engineer: _____
Clarion SVP of Sales: _____

DWG. #
SEAT-3 10H-4
Tub-Shower Seat

Dwg. By: JBR
Date: 4/10/2024