

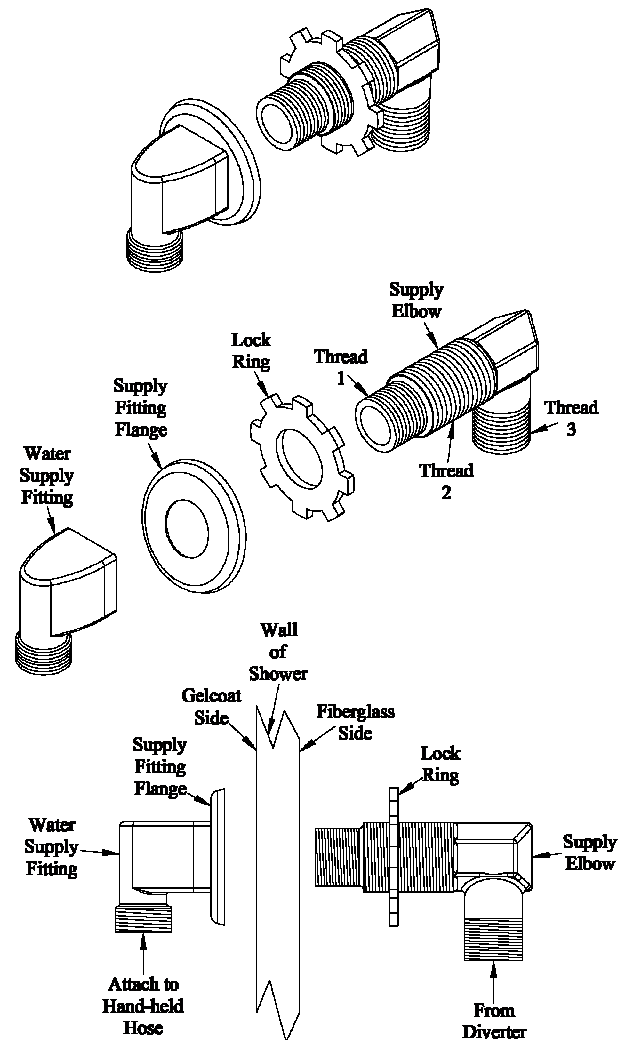
Miscellaneous Plumbing Parts (Supplied if equipped but not installed)

NOTE: Water testing of shower plumbing is the responsibility of the plumber/installer.

Hand-held Shower Water Supply Fitting:

Installation

1. If the hole for the supply elbow has not already been drilled, drill a 1 1/16" hole in the location on the shower wall that you want to install the supply elbow.
Drill this hole from the gelcoat side of the unit.
2. Make sure that the Lock Ring is threaded approximately halfway up Thread 2 on the Supply Elbow.
3. Apply thread sealant to Thread 1 on the Supply Elbow.
4. The Water Supply Fitting and Supply Fitting Flange are to be located on the gelcoat side of the unit. Line these 2 parts up with the hole that you have drilled in the shower wall. Attach the Supply Elbow to the Water Supply Fitting through the hole in the wall of the shower by screwing them together. Attach these parts so that you have a snug, water-tight connection.
5. Water test this connection before proceeding.
6. Once you have attained a good water-tight connection between the Supply Elbow and the Water Supply Fitting, adjust the Lock Ring you attached to Thread 2 so that it holds the entire assembly to the wall of the shower.
7. Apply some silicone to the back side of the Lock Ring to prevent it from loosening over time.
8. Thread 3 on the Supply Elbow is for the water supply coming from the diverter.



Shower Control Valve Tub Discharge Plug:

1. Supplied (but not installed) is a threaded brass tub discharge plug if equipped with a control valve.
2. If valve is to be used for a shower only, wrap threads on tub plug with teflon tape and install plug into tub port on shower valve.
3. Refer to the supplied instructions for the control valve for more.

