

Current Sensing Device for Ozone

Model: 99646



Your BWG Current Sensing Device is designed to adapt the BWG Ozone Generator Model 99815A to a whirlpool system.

Please read and follow all instructions carefully.

IMPORTANT SAFETY INSTRUCTIONS

You should have received safety instructions with your whirlpool. Please read and follow them carefully.

ELECTRICAL INSTRUCTIONS

WARNING – RISK OF ELECTRICAL SHOCK: All electrical connections must be accomplished by a qualified electrician in accordance with the National Electric Code and any local codes. In addition, a **GFCI MUST** protect all branch circuits to the whirlpool, and every electrical component **MUST** be grounded.

INSTALLATION INSTRUCTIONS

1. Insert the AC (NEMA) plug on the Current Sensing Device into a standard AC electric outlet.
2. Plug the Nema power cord from the pump into the bottom of the Current Sensing Device:
 - a) Pump with air switch
 - b) Pump with internal circuit board or multi-speed pump
 - c) Pump with internal circuit board or multi-speed pump
 - d) Electronic pump system control
3. Plug the cord from the BWG Ozone Generator part # 99815A into the side of the device.

CURRENT SENSING FEATURES

- Turns on Ozone Generator automatically whenever Pump is activated.
- Permits Ozone Generator to be added to any system.
- Rated 120v, 60 Hz, 14.1 amps.

OPERATION INSTRUCTIONS

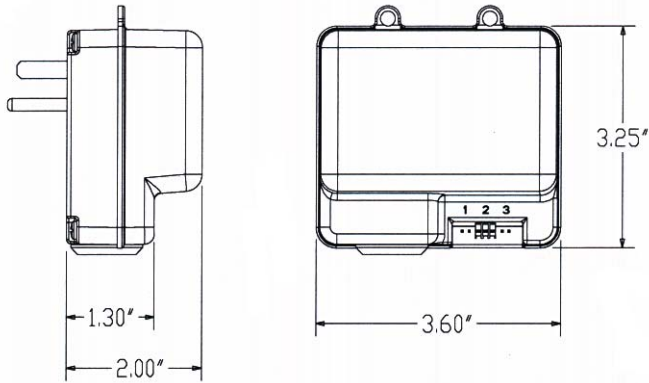
1. **TURNING SYSTEM ON** - Press the On/Off control to start the pump. The Ozone Generator will automatically function while the pump is activated.
2. **TURNING SYSTEM OFF** - Pressing the On/Off control will turn the pump off. The Ozone Generator will automatically turn off when the pump is deactivated.

TROUBLE SHOOTING

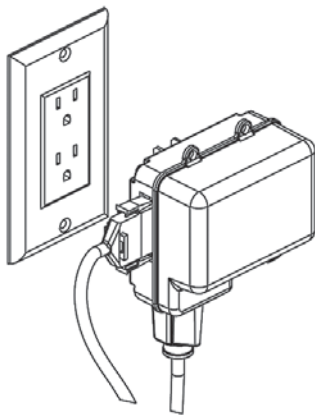
Pump doesn't Activate - No power: Plug a light into wall socket to test.

-Defective device: Plug pump into wall socket to test.

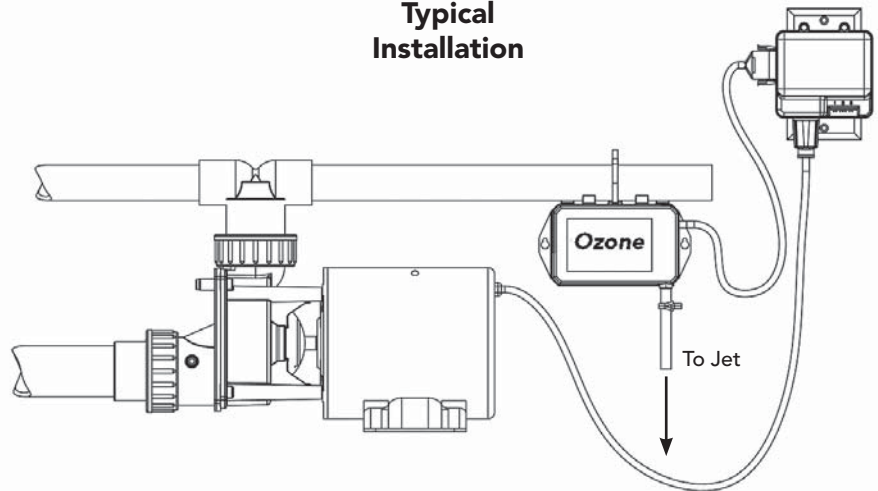
-Defective pump: Plug pump into wall socket to test.



**Current Sensing
Device Dimensions**



**Typical
Installation**



US Operations

1382 Bell Avenue, Tustin, California 92780

Main Number 1-714-384-0384 | Fax Number 1-714-384-0385 | Inside Sales 1-714-384-0384 | Tech Support 1-714-384-0384

28545 Livingston Avenue, Valencia, California 91355

Main Number 1-661-257-5700 | Fax Number 1-714-384-0385 | Inside Sales 1-714-384-0384 | Tech Support 1-714-384-0384

www.balboawatergroup.com

email: customerservice@balboawater.com

© 2009 Balboa Water Group Inc. All rights reserved. Your **Single Source** Solution.

Disclaimer: Every endeavour has been made to publish the correct details in this data sheet.

No responsibility will be taken for errors, omissions or changes in product specifications.

Balboa Water Group reserves the right to change specifications.