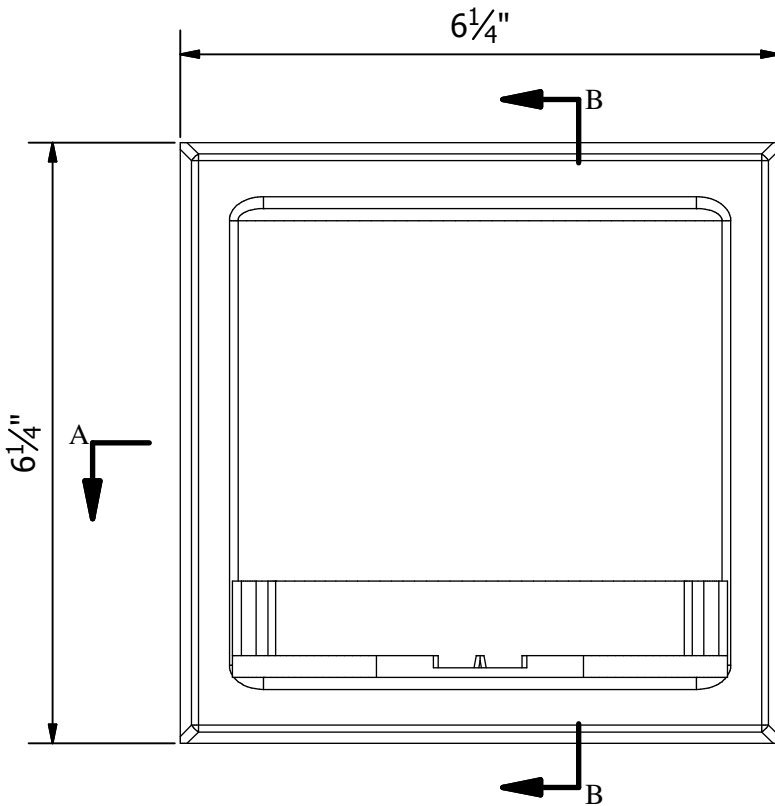
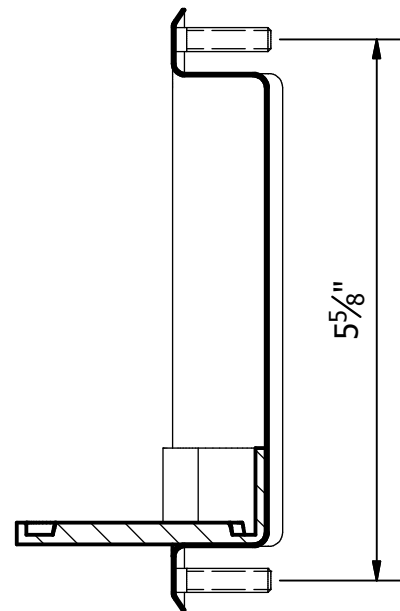


SECTION A-A



FRONT



SECTION B-B

Polished Stainless Steel Soap Dish

Recessed Soap Dish w/ Removable Acrylic Tray

Clarion
BATHWARE
44 Amsler Ave.
Shipperville, PA 16254

Phone: (814) 226-5374
Toll Free: (800) 576-9228
Fax: (814) 226-0730
www.clarionbathware.com

Mold Fabrication will not begin until approved drawing is received.
Standard mold production is (_____) weeks unless quoted otherwise.

Signatures For Approval: _____ Date: _____
Customer: _____
Clarion Engineer: _____
Clarion SVP of Sales: _____

DWG. #
Soap Dish Assembly

Dwg. By: NMH
Date: 6/26/2018